



CATALOG OF REPLACEMENT PARTS

CL SERIES DISHWASHERS



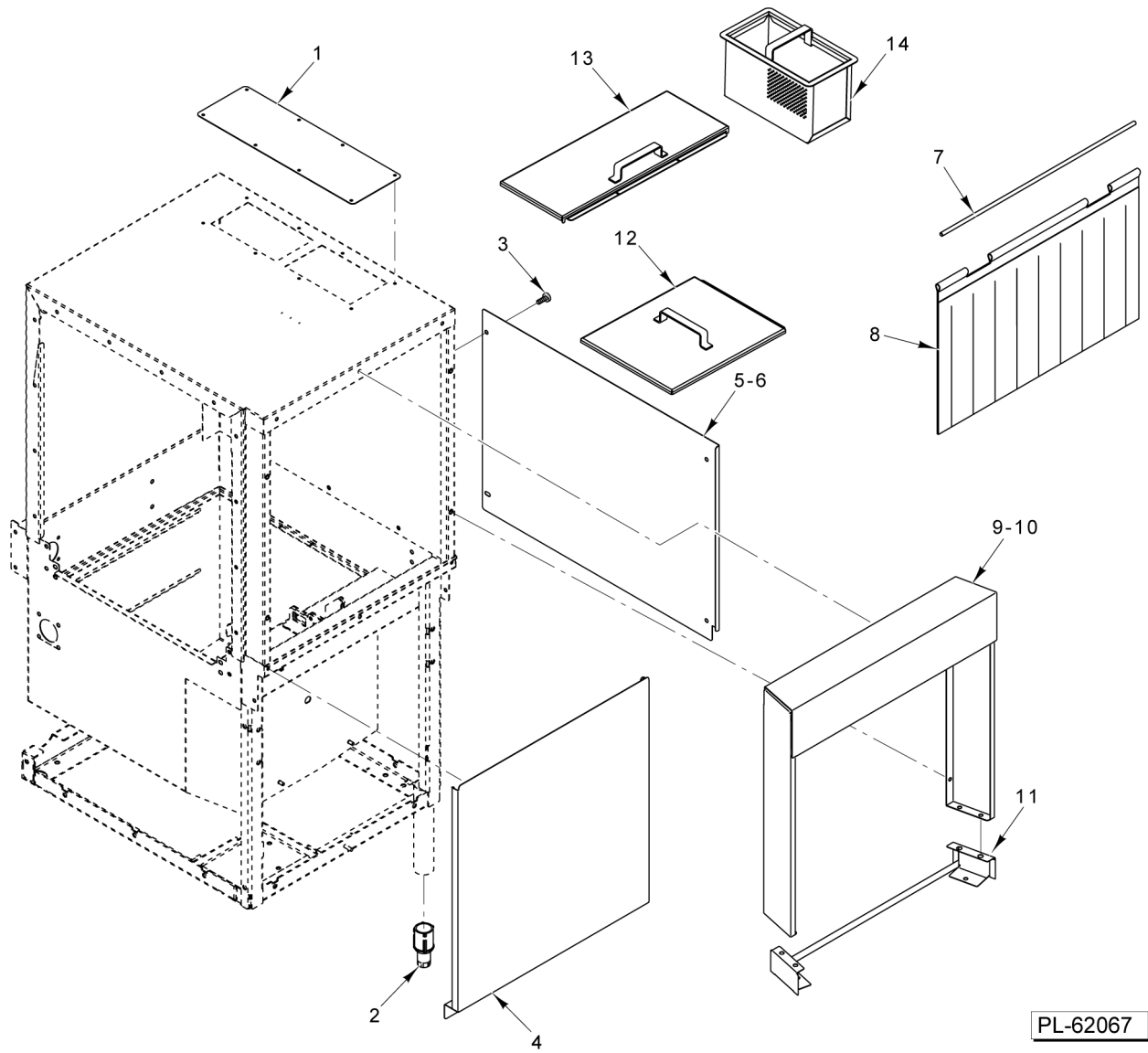
CL44 (R-L)	ML-138601-0000Z
CL44 (L-R)	ML-138602-0000Z
CL66 (R-L)	ML-138603-0000Z
CL66 (L-R)	ML-138604-0000Z
CL54 (R-L)	ML-138605-0000Z
CL54 (L-R)	ML-138606-0000Z
CL76 (R-L)	ML-138607-0000Z
CL76 (L-R)	ML-138608-0000Z
CL66C (R-L)	ML-138609-0000Z
CL66C (L-R)	ML-138610-0000Z
CL76C (R-L)	ML-138611-0000Z
CL76C (L-R)	ML-138612-0000Z
CL64 (R-L)	ML-138613-0000Z
CL64 (L-R)	ML-138614-0000Z
CL86 (R-L)	ML-138615-0000Z
CL86 (L-R)	ML-138616-0000Z
CL86C (R-L)	ML-138617-0000Z
CL86C (L-R)	ML-138618-0000Z

Table of Contents

7	PANELS (CORNER POWER SCRAPPER)
9	TRACK AND CRADLE (CORNER POWER SCRAPPER)
11	PREWASH UPPER WASH ARM (CL66C/CL76C/CL86C)
13	PREWASH LOWER WASH ARM (CL66C/CL76C/CL86C)
15	PREWASH DRAIN AND FLOWBACK (CL66C/CL76C/CL86C)
17	ELECTRICAL COMPONENTS (BLOWER DRYER)
19	TRACK AND CRADLE (BLOWER DRYER)
21	BLOWER BOX ASSEMBLY (BLOWER DRYER)
23	STEAM HEAT (BLOWER DRYER)
25	ELECTRIC HEAT (BLOWER DRYER)
27	TABLE UNIT (SL23/SL30)
29	DRIVE UNIT (SL23/SL30)
31	SWITCH UNIT (SL23/SL30)
33	DOORS AND PANELS (CLPSEN)
35	TRACK AND CRADLE (CLPS66EN)
37	TRACK AND CRADLE (CLPS76/86EN)
39	PREWASH UPPER WASH ARM (CL66/CL75/CL86)
41	PREWASH LOWER WASH ARM (CL66/CL76/CL86)
43	PREWASH DRAIN AND FLOWBACK (CL66/CL76/CL86)
45	CONVEYOR DRIVE MOTOR
47	CONVEYOR DRIVE (CL44/54EN)
49	CONVEYOR DRIVE (CL64EN)
51	CONVEYOR (CL44/54EN)
53	CONVEYOR (CL64EN)
55	PAWL ASSEMBLY
57	WASH UPPER WASH ARM (CL44/CL54/CL66/CL76)
59	CONTROL BOX
61	TRANSFORMER BASEPLATE
63	BASEPLATE COMPONENTS (CL44E/54E) (BASE)
65	BASEPLATE COMPONENTS (CL44E/54E) (DWR/ADV)
67	BASEPLATE COMPONENTS (CL66E/76E) (BASE)
69	BASEPLATE COMPONENTS (CL66E/76E) (DWR/ADV)
71	BASEPLATE COMPONENTS (CL64E) (BASE)
73	BASEPLATE COMPONENTS (CL64E) (DWR/ADV)
75	BASEPLATE COMPONENTS (CL86E) (BASE)
77	BASEPLATE COMPONENTS (CL86E) (DWR/ADV)
79	BASEPLATE COMPONENTS (CL44G/54G) (BASE)
81	BASEPLATE COMPONENTS (CL66G/76G) (BASE)
83	BASEPLATE COMPONENTS (CL64G) (BASE)
85	BASEPLATE COMPONENTS (CL86G) (BASE)
87	BASEPLATE COMPONENTS (CL44S/54S) (DWR)
89	BASEPLATE COMPONENTS (CL44S/54S) (BASE)

- 91 BASEPLATE COMPONENTS (CL66S/76S) (DWR)
- 93 BASEPLATE COMPONENTS (CL66S/76S) (BASE)
- 95 BASEPLATE COMPONENTS (CL64S) (DWR)
- 97 BASEPLATE COMPONENTS (CL64S) (BASE)
- 99 BASEPLATE COMPONENTS (CL86S) (BASE)
- 101 LOWER WASH ARM
- 103 ELECTRIC BOOSTER
- 105 AIR TRAP AND TANK SENSORS (TANK 1)
- 107 ELECTRIC HEAT
- 109 ELECTRIC HEAT (CLENVL)
- 111 GAS HEAT COMPONENTS
- 113 GAS HEAT PIPING
- 115 COMMON GAS PIPING (CL64EN)
- 117 STEAM COIL AND INLET PIPING
- 119 COMMON STEAM PIPING (CL64EN)
- 121 DRAIN PIPING (TEMPERING)
- 123 DRAIN (TANK)
- 125 ASR SYSTEM
- 127 DWER SYSTEM
- 129 DOORS
- 131 LOWER PANELS
- 133 UPPER PANELS (CL64EN)
- 135 CURTAINS AND STRAINERS
- 137 FLOWBACK AND PANELS (CL54)
- 139 WIREWAY (VENTED)
- 141 WIREWAY (CLENVL)
- 143 AIR CHANNEL ASSEMBLY (CLENVL)
- 145 CONDENSER COIL (ADVANSYS)
- 147 VENT HOOD (VENTED)
- 149 VENT HOOD (CLENVL)
- 151 TABLE LIMIT SWITCH (ML-138163)
- 153 DELIME ASSEMBLY
- 155 DISH RACKS
- 157 COMMON CORRECTIONAL PACKAGE PARTS
- 159 TABLE UNIT (R-L OPERATION SHOWN)
- 161 CARRIAGE AND LINKAGE (DRIVE MECHANISM)
- 163 ELECTRICAL CABLES

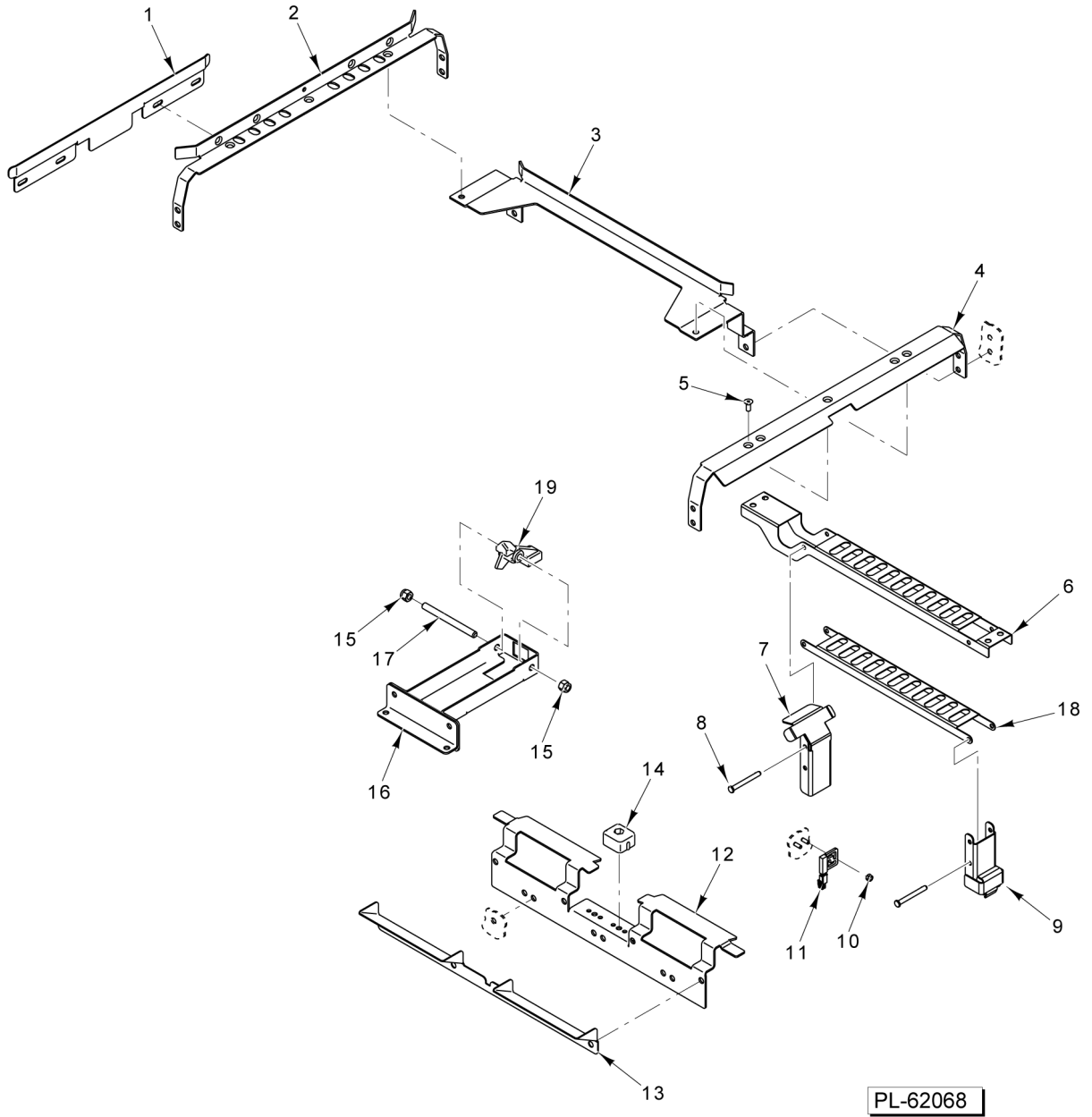
NOTES



**PANELS
(CORNER POWER SCRAPER)**

**PANELS
(CORNER POWER SCRAPER)**

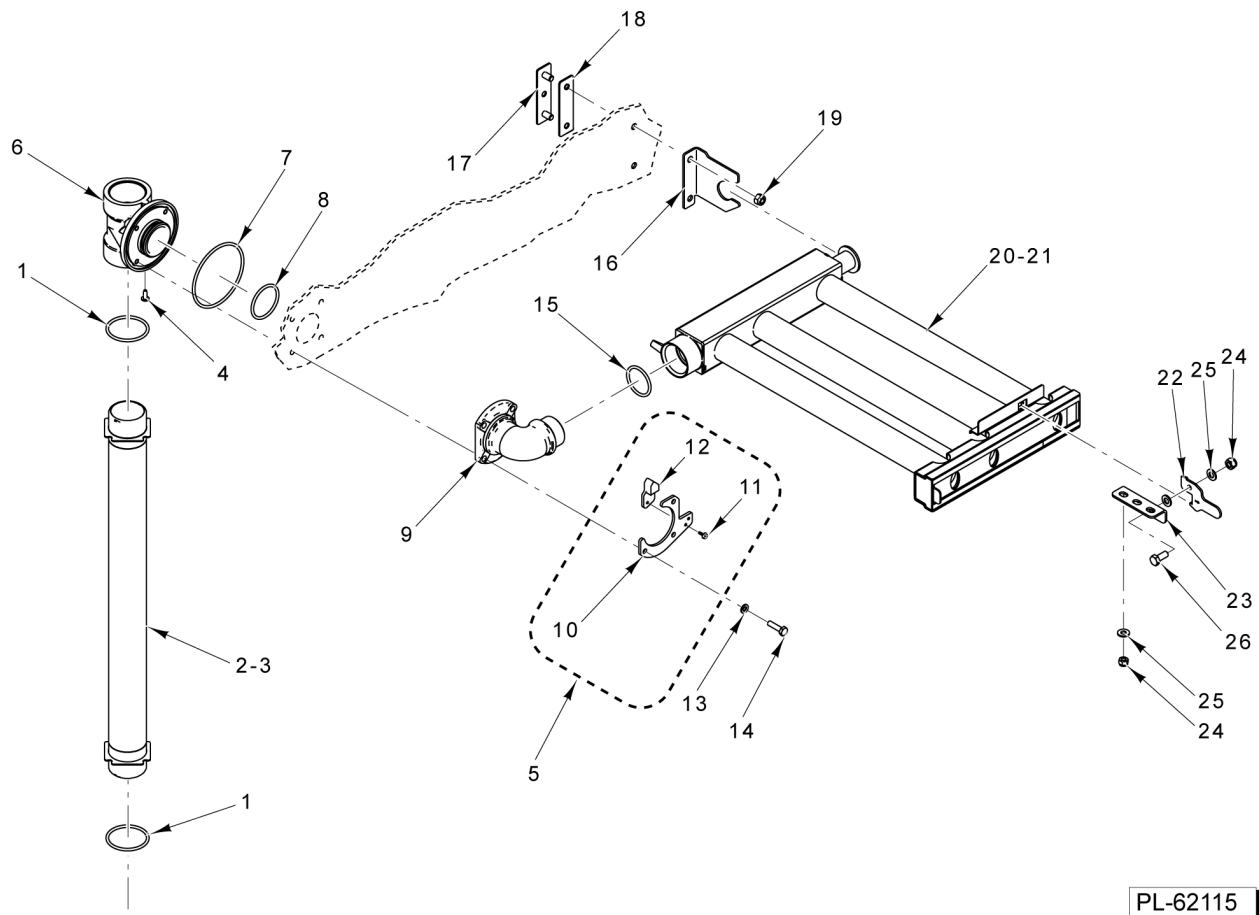
ILLUS.	PART NO.	NAME OF PART	AMT.
1	00-919347	Cover - Vent Stack.....	1
2	00-288946-00002	Foot - Adjustable (1-5/8) (SST).....	2
3	SC-125-15	Mach. Screw 1/4-20 x 1/2 Phil. Truss Hd.....	4
4	00-815916	Panel - Front Trim.....	1
5	00-919867	Panel - Trim End (Right).....	1
6	00-919875	Panel - Trim End (Left).....	1
7	00-919507	Rod - Curtain.....	1
8	00-936520	Curtain - Corner Splash.....	1
9	00-936711-00001	Chamber Weldment - Jumper (STD).....	1
10	00-936711-00002	Chamber Weldment - Jumper (HTS).....	1
11	00-815917-00001	Jumper Bracket Assy.....	1
12	00-936717-00001	Strainer - Front (CS).....	1
13	00-936716-00001	Strainer - Rear (CS).....	1
14	00-936161	Strainer - Bucket.....	1



**TRACK AND CRADLE
(CORNER POWER SCRAPER)**

**TRACK AND CRADLE
(CORNER POWER SCRAPER)**

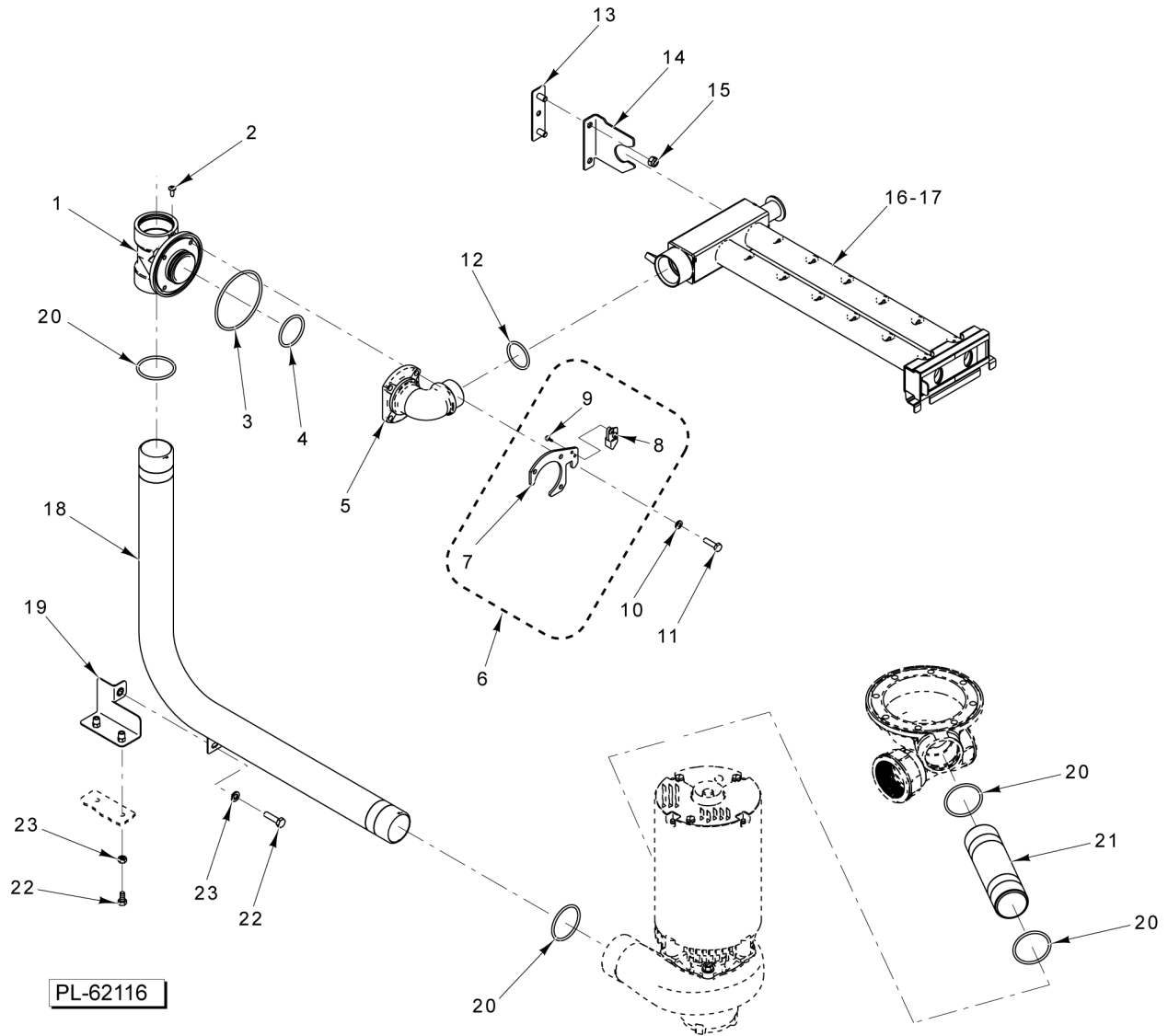
ILLUS. PL-62068	PART NO.	NAME OF PART	AMT.
1	00-936519	Track Guide - Corner Rear.....	1
2	00-936650	Rack - Rear Track.....	1
3	00-936511	Track - Outbound.....	1
4	00-936513	Rack - Front Track.....	1
5	SC-127-91	Mach. Screw 1/4-20 x 5/8 Phil. Flat Hd. (SST).....	AR
6	00-815911	Actuator.....	2
7	00-815910	Actuator Assy.....	1
8	00-936369	Pin - Pivot SLIC.....	1
9	00-815908	Mount - Actuator.....	1
10	NS-031-15	Stop Nut 10-24 Hex (SST).....	2
11	00-814641	Kit - Interlock Switch.....	1
12	00-936512	Track - Inbound Side.....	1
13	00-936514	Baffle - Make Up Catch.....	1
14	00-473232	Slider - Small.....	2
15	NS-046-09	Stop Nut 3/8-16 Hex (SST).....	2
16	00-941340	Conveyor Assy. - Dog.....	1
17	00-107941	Stud - Roller.....	1
18	00-815912	Actuator.....	1
19	00-941311	Dog.....	1



PREWASH UPPER WASH ARM (CL66C/CL76C/CL86C)

PREWASH UPPER WASH ARM (CL66C/CL76C/CL86C)

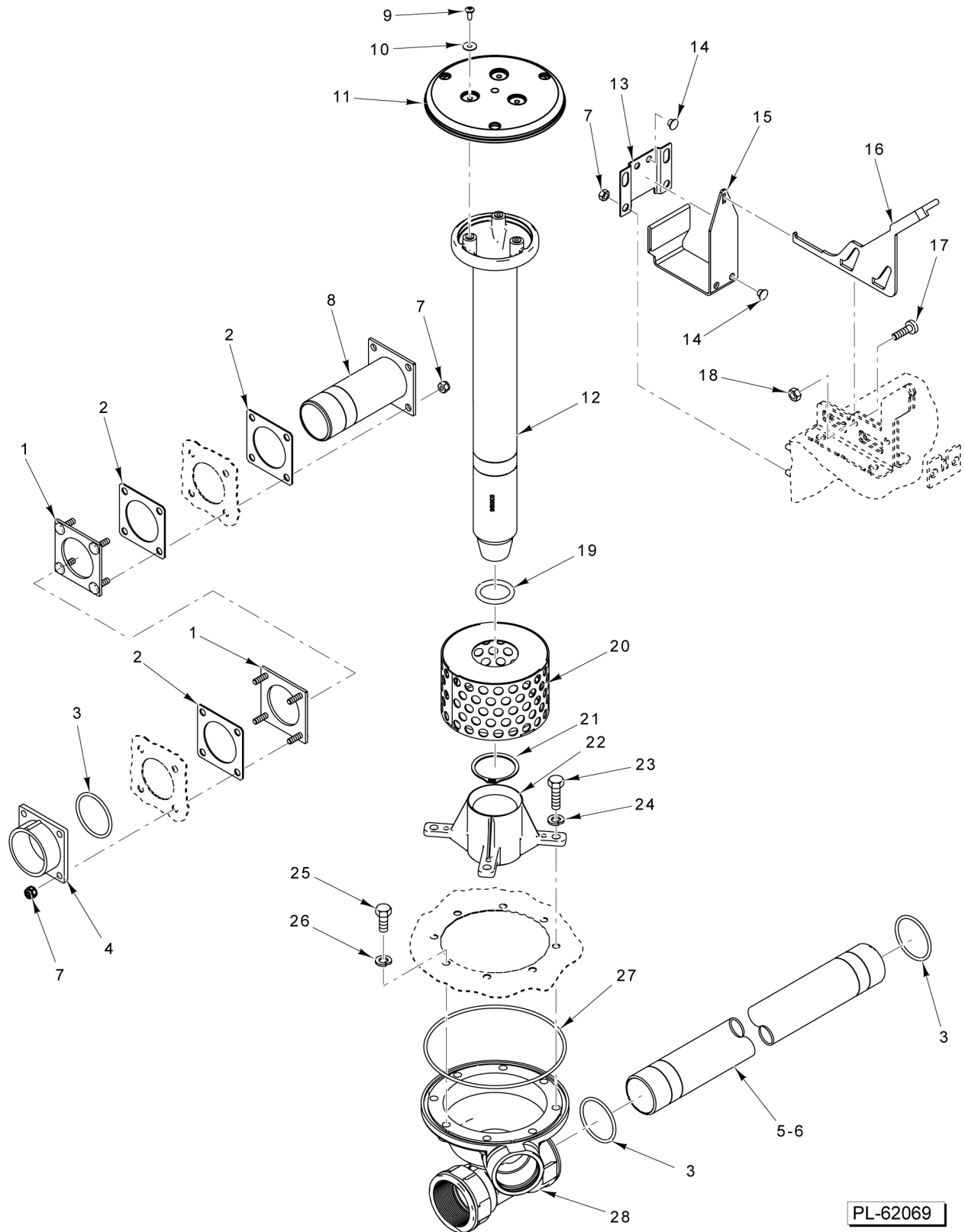
ILLUS.	PART NO.	NAME OF PART	AMT.
PL-62115			
1	00-067500-00057	O-Ring.....	2
2	00-936020-00001	Tube - Feed (STD).....	1
3	00-936020-00002	Tube - Feed (HTS).....	1
4	SD-038-84	Self-Tapping Screw 10-24 x 1/2 Phil. Truss Hd., Type F (SST).....	1
5	00-936222	Cam Plate Assy. (Incls. Items 10, 11, & 12).....	1
6	00-919663-00001	Manifold - Elbow.....	1
7	00-067500-00132	O-Ring.....	1
8	00-067500-00019	O-Ring.....	1
9	00-919926	Manifold - Elbow.....	1
10	00-936168	Plate - Adjuster.....	1
11	00-893777-00001	Self-Tapping Screw (Thread Forming).....	2
12	00-936166	Block - Wear.....	1
13	WL-006-17	Lockwasher 1/4 Helical (SST).....	1
14	SC-041-02	Cap Screw 1/4-20 x 1 Hex Hd. (SST).....	4
15	00-067500-00014	O-Ring.....	1
16	00-919931	Bracket - Guide (Wash Arm).....	1
17	00-936202	Plate - Mounting.....	1
18	00-814592	Gasket - Mounting Plate.....	1
19	NS-036-19	Stop Nut 5/16-18 Hex Special (SST).....	2
20	00-563419-00006	Arm - Prewash (Upper) (R-L).....	1
21	00-563419-00007	Arm - Prewash (Upper) (L-R).....	1
22	00-919378	Latch.....	1
23	00-919379	Bracket - Latch.....	1
24	NS-031-19	Stop Nut 1/4-20 Hex (SST).....	4
25	WS-017-06	Washer (SST).....	5
26	SC-041-01	Cap Screw 1/4-20 x 3/4 Hex Hd. (SST).....	1



PREWASH LOWER WASH ARM (CL66C/CL76C/CL86C)

PREWASH LOWER WASH ARM (CL66C/CL76C/CL86C)

ILLUS. PL-62116	PART NO.	NAME OF PART	AMT.
1	00-919663-00002	Manifold - Tee.....	1
2	SD-038-84	Self-Tapping Screw 10-24 x 1/2 Phil. Truss Hd., Type F (SST).....	1
3	00-067500-00132	O-Ring.....	1
4	00-067500-00019	O-Ring.....	1
5	00-919926	Manifold - Elbow.....	1
6	00-936222	Cam Plate Assy.....	1
7	00-936168	Plate - Adjuster.....	1
8	00-936166	Block - Wear.....	1
9	00-893777-00001	Self-Tapping Screw (Thread Forming).....	2
10	WL-006-17	Lockwasher 1/4 Helical (SST).....	4
11	SC-041-02	Cap Screw 1/4-20 x 1 Hex Hd. (SST).....	4
12	00-067500-00014	O-Ring.....	1
13	00-936202	Plate - Mounting.....	1
14	00-919931	Bracket - Guide (Wash Arm).....	1
15	NS-036-19	Stop Nut 5/16-18 Hex Special (SST).....	2
16	00-563425-00007	Arm - Prewash (Lower) (R-L).....	1
17	00-563425-00008	Arm - Prewash (Lower) (L-R).....	1
18	00-935979	Tube - Feed.....	1
19	00-936401-00001	Bracket - Wash Mount Assy.....	1
20	00-067500-00057	O-Ring.....	4
21	00-919738-00003	Tube - Feed.....	1
22	SC-041-50	Cap Screw 1/4-20 x 1/2 Hex Hd. (SST).....	3
23	WL-006-17	Lockwasher 1/4 Helical (SST).....	3



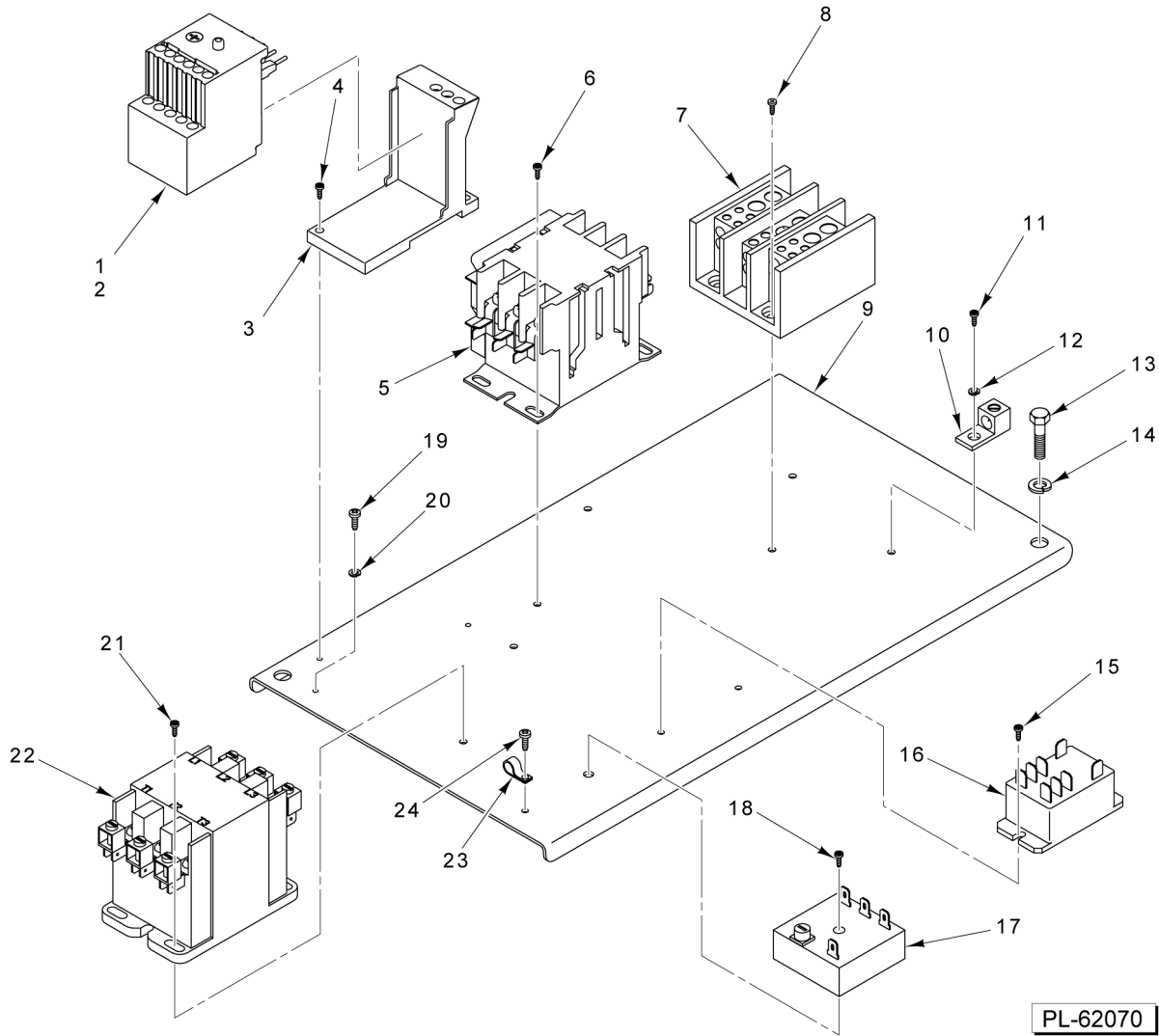
PL-62069

PREWASH DRAIN AND FLOWBACK (CL66C/CL76C/CL86C)

PREWASH DRAIN AND FLOWBACK (CL66C/CL76C/CL86C)

ILLUS.	PART NO.	NAME OF PART	AMT.
PL-62069			
1	00-919806	Plate - Flowback.....	2
2	00-120603	Gasket - Seal Retainer.....	3
3	00-067500-00057	O-Ring.....	3
4	00-941711	Flange - Overflow.....	1
5	00-919738-00004	Tube - Drain to Drain (25 In.).....	1
6	00-919738-00006	Tube - Drain To Drain (23-15/16 In.).....	1
7	NS-031-19	Stop Nut 1/4-20 Hex (SST).....	12
8	00-919811	Tube - Flowback Weldment.....	1
9	SD-038-85	Self-Tapping Screw 10-24 x 3/4 Phil. Truss Hd. Type F (SST).....	3
10	WS-017-06	Washer (SST).....	3
11	00-936738	Cover - Standpipe.....	1
12	00-936196	Tube - Overflow.....	1
13	00-919790	Guide - Lift.....	1
14	00-936372	Button - Wear.....	4
15	00-974409	Lift - Guide.....	1
16	00-562856	Link - Lift.....	1
17	SC-130-42	Shoulder Screw 5/16 Dia. 1/4-20 x 1/2 Socket Hex Hd. (SST).....	2
18	NS-047-82	Stop Nut 1/4-20 Hex (SST).....	2
19	00-067500-00120	O-Ring.....	1
20	00-936223	Strainer - Overflow Weldment.....	1
21	RR-012-37	Retaining Ring.....	1
22	00-936247	Guide - Standpipe.....	1
23	SC-041-11	Cap Screw 5/16-18 x 3/4 Hex Hd. (SST).....	4
24	WS-017-08	Washer (0.328 x 0.625 x 0.062) (SST).....	4
25	SC-041-10	Cap Screw 5/16-18 x 5/8 Hex Hd. (SST).....	4
26	WL-006-23	Lockwasher 5/16 Helical (SST).....	4
27	00-067500-00136	O-Ring.....	1
28	00-919725	Drain.....	1

25 00-936774 Cable - Blower Dryer
 26 00-936775 Harness - Wiring
 27 00-936776 Harness - Wiring
PARTS NOT ILLUSTRATED

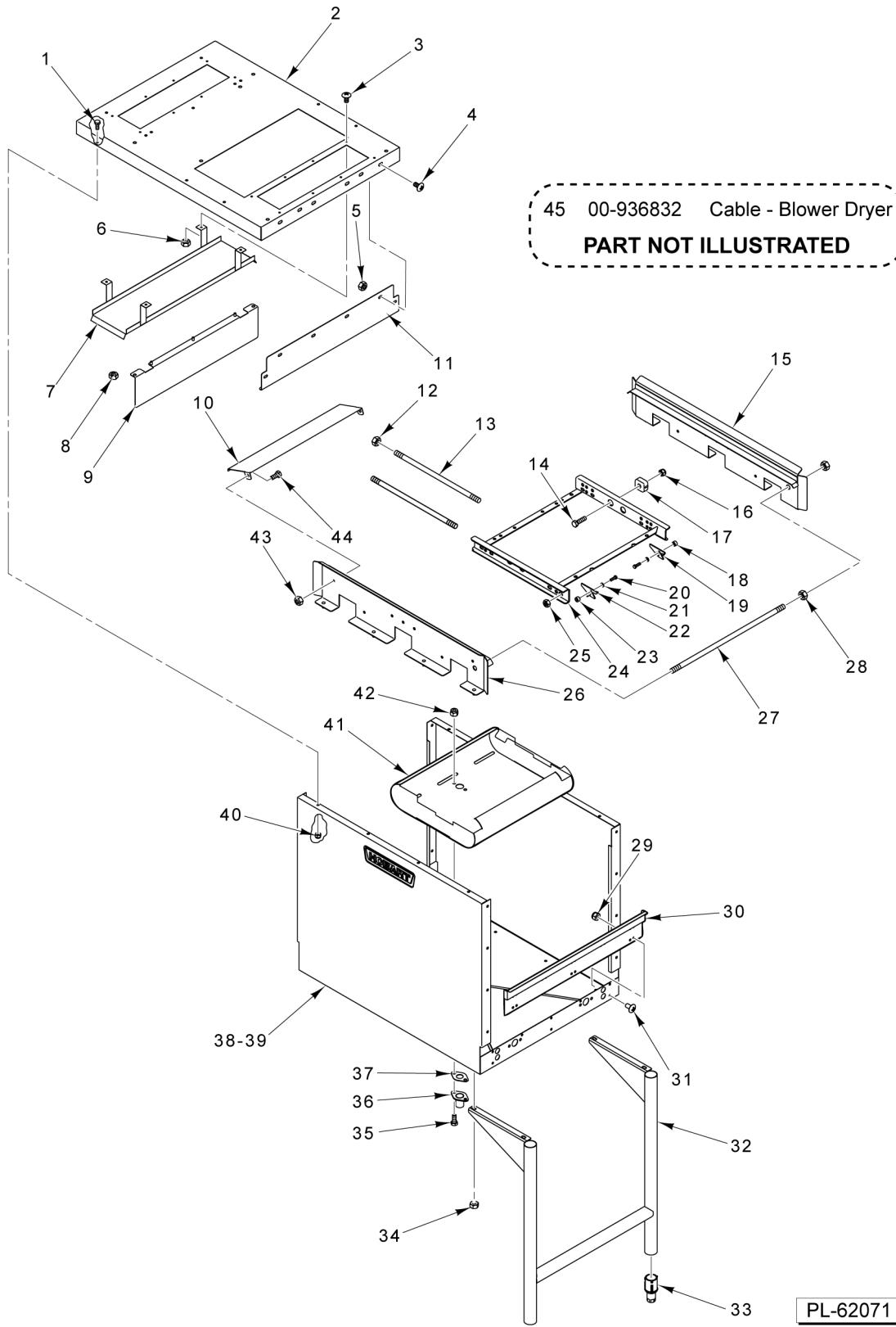


PL-62070

**ELECTRICAL COMPONENTS
 (BLOWER DRYER)**

**ELECTRICAL COMPONENTS
(BLOWER DRYER)**

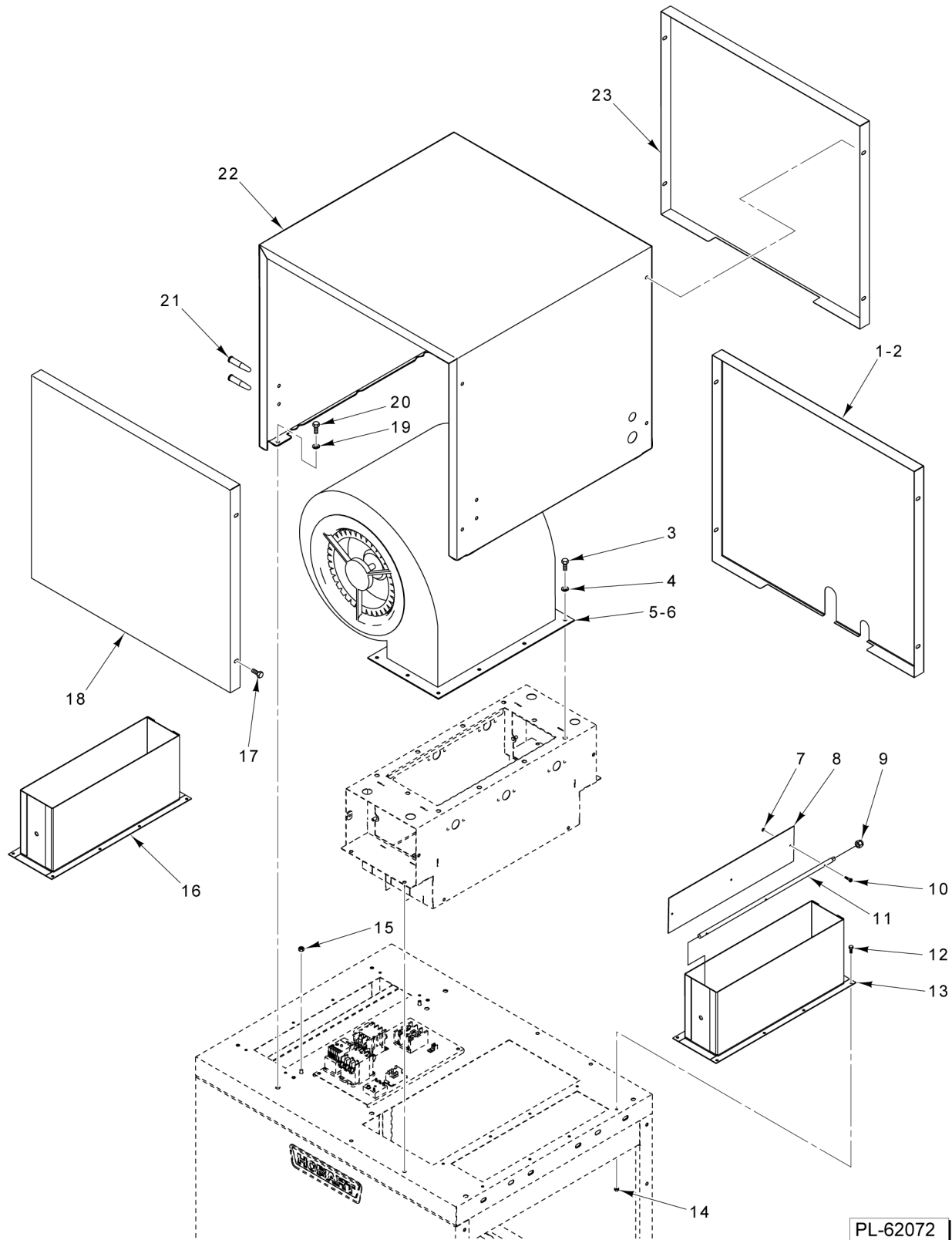
ILLUS. PL-62070	PART NO.	NAME OF PART	AMT.
1	00-936784-00001	Overload - Motor Relay (480 V.).....	1
2	00-936784-00002	Overload - Motor Relay (208-240 V.).....	1
3	00-936784-00003	Bracket - Motor Relay.....	1
4	SD-038-02	Self-Tapping Screw 6-20 x 5/8 Phil. Pan Hd. Type B.....	2
5	00-087713-039-2	Contactora (3 Pole, 30 Amp.) With Auxiliary Switch.....	1
6	SD-008-25	Self-Tapping Screw 10-16 x 1/2 Phil. Pan Hd. Type B.....	2
7	00-119031	Block - Terminal.....	1
8	SD-008-25	Self-Tapping Screw 10-16 x 1/2 Phil. Pan Hd. Type B.....	2
9	00-936761	Plate - Blower Dryer Base.....	1
10	00-118544-00002	Lug - Solderless.....	1
11	SD-008-25	Self-Tapping Screw 10-16 x 1/2 Phil. Pan Hd. Type B.....	1
12	WL-014-07	Lockwasher #10 (SST).....	1
13	SC-041-02	Cap Screw 1/4-20 x 1 Hex Hd. (SST).....	2
14	WL-006-17	Lockwasher 1/4 Helical (SST).....	2
15	SD-008-18	Self-Tapping Screw 8-18 x 3/8 Phil. Bndg. Hd. Type B.....	2
16	00-087714-042-1	Relay (2-Pole) (120 VAC) (30 Amp.) Relay (2 Pole, 30 Amp.).....	1
17	00-087714-057-1	Relay - Time Delay.....	1
18	SD-036-13	Self-Tapping Screw 1/4-20 x 11/4 Hex Washer Hd. Type T.....	1
19	SD-034-59	Self-Tapping Screw 10-32 x 3/8 Pan Hd.....	1
20	WL-007-15	Lockwasher.....	1
21	SD-008-25	Self-Tapping Screw 10-16 x 1/2 Phil. Pan Hd. Type B (Electric Heat Only).....	2
22	00-918322	Contactora (3 Pole, 40 Amp.) (Electric Heat Only).....	1
23	00-294677-00002	Clamp - Wire (1/2 In.).....	1
24	SD-008-25	Self-Tapping Screw 10-16 x 1/2 Phil. Pan Hd., Type B.....	1
25	00-936774	Cable - Blower Dryer.....	1
26	00-936775	Harness - Wiring (Electric Heat).....	1
27	00-936776	Harness - Wiring (Steam Heat).....	1



**TRACK AND CRADLE
(BLOWER DRYER)**

**TRACK AND CRADLE
(BLOWER DRYER)**

ILLUS. PL-62071	PART NO.	NAME OF PART	AMT.
1	SC-041-05	Cap Screw 1/4-20 x 5/8 Hex Hd. (SST).....	8
2	00-936673	Top - Chamber.....	1
3	SC-041-05	Cap Screw 1/4-20 x 5/8 Hex Hd. (SST).....	4
4	SC-125-85	Mach. Screw 1/4-20 x 5/8 Phil. Truss Hd.....	6
5	NS-031-19	Stop Nut 1/4-20 Hex (SST).....	6
6	NS-031-19	Stop Nut 1/4-20 Hex (SST).....	4
7	00-435799	Shield - Drip Assy.....	1
8	NS-031-19	Stop Nut 1/4-20 Hex (SST).....	3
9	00-936736	Baffle - Blower.....	1
10	00-936693	Baffle End - Tank.....	1
11	00-936676	End - Chamber.....	1
12	NS-046-09	Stop Nut 3/8-16 Hex (SST).....	8
13	00-936815-00001	Rod - X Drive (16 In.).....	2
14	SC-041-14	Cap Screw 5/16-18 x 1-1/8 Hex Hd. (SST).....	4
15	00-936677	Track Assy.....	1
16	NS-031-29	Stop Nut 5/16-18 Hex (SST).....	4
17	00-473232	Slide - Small Slider.....	4
18	00-270983	Spacer - Cradle Dog.....	2
19	00-436704-00001	Dog - Pin Weldment (RH).....	2
20	SC-041-31	Cap Screw 3/8-16 x 11/4 Hex Hd. (SST).....	4
21	WS-018-04	Washer (SST).....	4
22	00-436704-00002	Dog - Pin Weldment (LH).....	2
23	00-270983	Spacer - Cradle Dog.....	2
24	00-936811	Cradle - Blower Dryer.....	1
25	NS-046-09	Stop Nut 3/8-16 Hex (SST).....	4
26	00-936677	Track Assy.....	1
27	00-936815-00002	Rod - X Drive (21 In.).....	1
28	NS-046-09	Stop Nut 3/8-16 Hex (SST).....	4
29	NS-031-19	Stop Nut 1/4-20 Hex (SST).....	8
30	00-936670	End - Removeable Tank.....	1
31	SC-125-85	Mach. Screw 1/4-20 x 5/8 Phil. Truss Hd. (SST).....	8
32	00-936786	Leg - Blower H-Frame.....	1
33	00-288946-00002	Foot - Adjustable Hex.....	2
34	NS-031-29	Stop Nut 5/16-18 Hex (SST).....	8
35	SC-041-11	Cap Screw 5/16-18 x 3/4 Hex Hd. (SST).....	2
36	00-936312	Drain - Weldment.....	1
37	00-276407	Gasket - Rinse Pipe.....	1
38	00-936669-00001	Tank - Dryer (STD).....	1
39	00-936669-00002	Tank - Dryer (HTS).....	1
40	NS-031-19	Stop Nut 1/4-20 Hex (SST).....	8
41	00-936731	Deflector - Air.....	1
42	NS-031-29	Stop Nut 5/16-18 Hex (SST).....	2
43	NS-031-19	Stop Nut 1/4-20 Hex (SST).....	2
44	SC-041-05	Cap Screw 1/4-20 x 5/8 Hex Hd. (SST).....	2
45	00-936832	Template/Stiffener.....	1

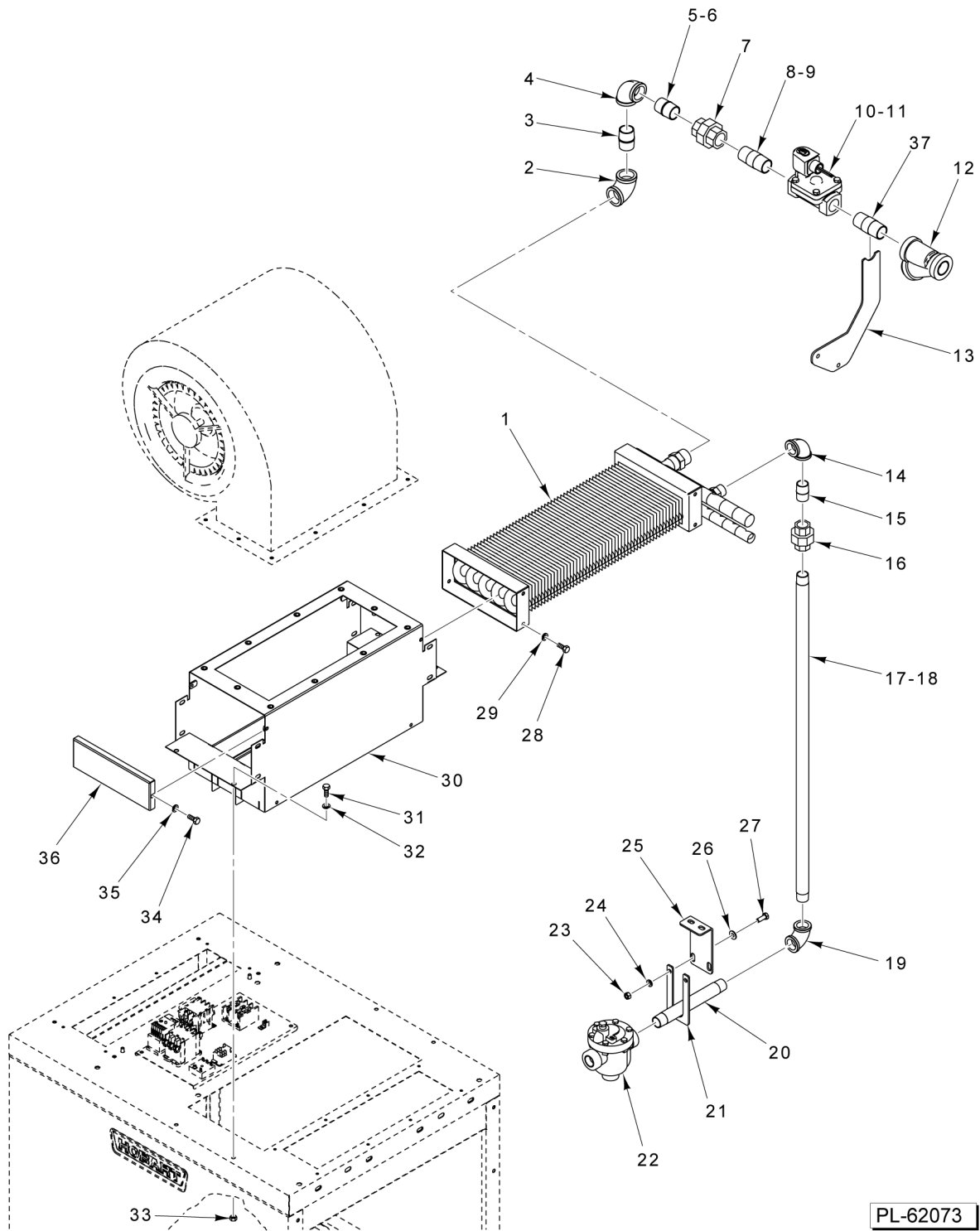


PL-62072

**BLOWER BOX ASSEMBLY
(BLOWER DRYER)**

BLOWER BOX ASSEMBLY (BLOWER DRYER)

ILLUS. PL-62072	PART NO.	NAME OF PART	AMT.
1	00-814497-00001	Cover - Blower Box (Rear) (R-L) (Steam Heat).....	1
2	00-814497-00002	Cover - Blower Box (Rear) (L-R) (Steam Heat).....	1
3	SC-041-05	Cap Screw 1/4-20 x 5/8 Hex Hd. (SST).....	10
4	WL-006-17	Lockwasher 1/4 Helical (SST).....	10
5	00-936771-00001	Blower (230/460 V.).....	1
6	00-936771-00002	Blower (600 V.).....	1
7	NS-031-50	Stop Nut 6-32 Hex (SST).....	2
8	00-075623	Damper - Vent Stack.....	1
9	NS-036-12	Stop Nut 3/8-24 Hex (SST).....	1
10	SC-125-25	Mach. Screw 6-32 x 3/4 Phil. Rd. Hd. (SST).....	3
11	00-064919	Shaft - Damper.....	1
12	SC-066-06	Mach. Screw 10-24 x 1/2 Phil. Truss Hd. (SST).....	16
13	00-814480	Vent Stack - Damper (Incls. Items 7 thru 11).....	1
14	NS-031-15	Stop Nut 10-24 Hex (SST).....	16
15	NS-047-82	Stop Nut 1/4-20 Hex (SST).....	3
16	00-814480	Vent Stack - Damper (Incls. Items 7 thru 11).....	1
17	SC-125-85	Mach. Screw 1/4-20 x 5/8 Phil. Truss Hd. (SST).....	8
18	00-936734	Cover - Blower Box (Front).....	1
19	WL-006-17	Lockwasher 1/4 Helical (SST).....	4
20	SC-041-05	Cap Screw 1/4-20 x 5/8 Hex Hd. (SST).....	4
21	00-813405	Light - Pilot (Red).....	2
22	00-936739	Blower Box Assy.....	1
23	00-936734	Cover - Blower Box (Rear) (Electric Heat).....	1

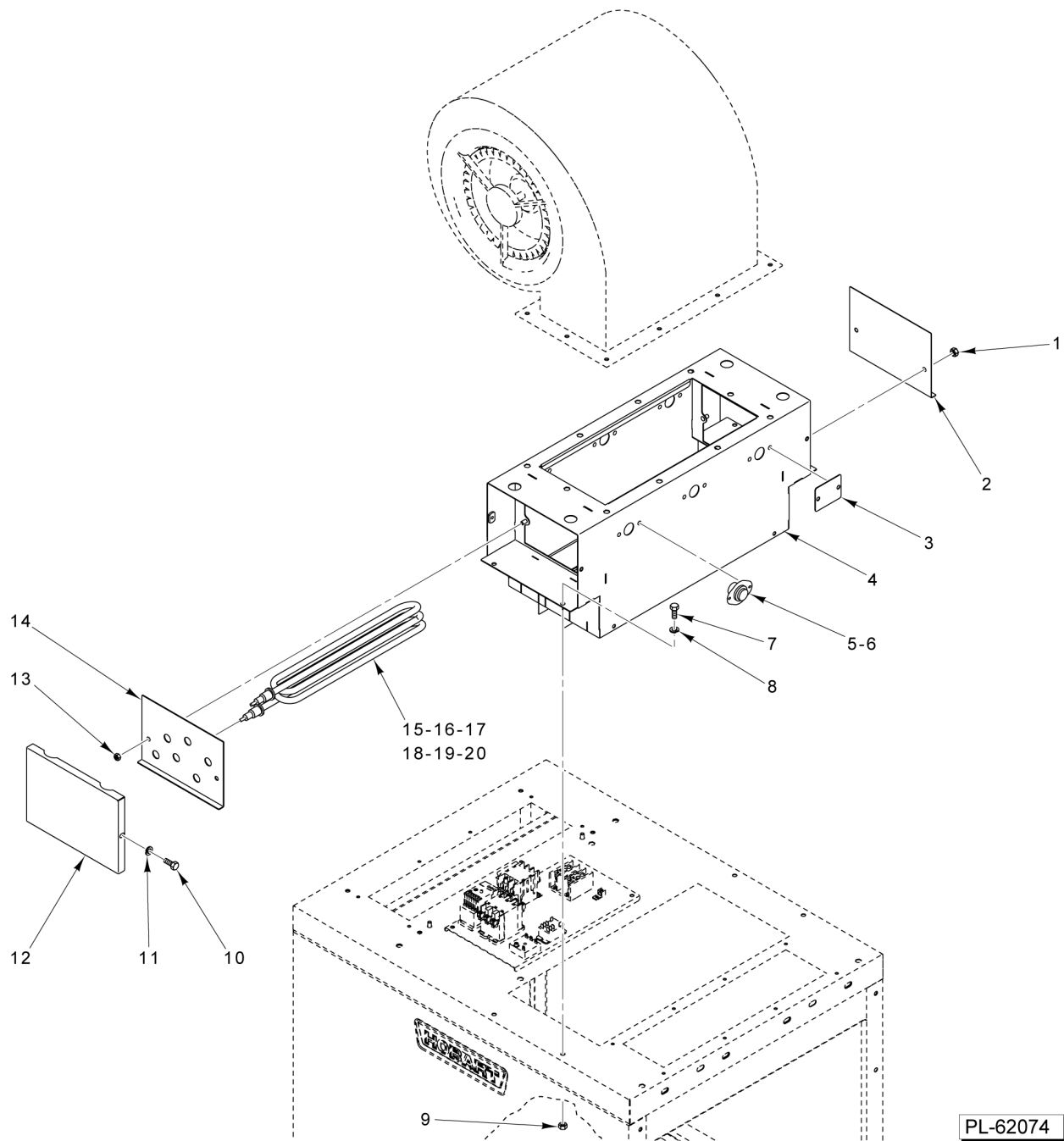


PL-62073

**STEAM HEAT
(BLOWER DRYER)**

**STEAM HEAT
(BLOWER DRYER)**

ILLUS. PL-62073	PART NO.	NAME OF PART	AMT.
1	00-814403	Coil - Steam.....	1
2	FP-013-27	Elbow Pipe 1 x 90 Deg.....	1
3	FP-059-41	Pipe 1 x 13/4 TBE.....	1
4	FP-013-27	Elbow Pipe 1 x 90 Deg.....	1
5	FP-059-41	Pipe 1 x 13/4 TBE (L-R).....	1
6	FP-036-17	Pipe 1 x 11/2 TBE (R-L).....	1
7	FP-022-23	Union - Pipe (1 In. Straight).....	1
8	FP-088-52	Pipe 1 x 2 3/4 TBE (L-R).....	1
9	FP-036-17	Pipe 1 x 11/2 TBE (R-L).....	1
10	00-749981-00002	Valve - Solenoid (1 In.).....	1
11	00-892071	Repair Kit - Solenoid Valve (Previous Construction).....	AR
12	00-748967	Strainer - Line (1 In.).....	1
13	00-814521	Bracket - Steam Inlet.....	1
14	FP-013-22	Elbow Pipe 3/4 x 90 Deg.....	1
15	FP-059-19	Pipe 3/4 x 11/2 TBE.....	1
16	FP-022-17	Union - Pipe (3/4 In. Straight).....	1
17	00-814519-00001	Pipe - Condensate Return (STD).....	1
18	00-814519-00002	Pipe - Condensate Return (HTS).....	1
19	FP-013-22	Elbow Pipe 3/4 x 90 Deg.....	1
20	FP-036-12	Pipe 3/4 x 7-3/4 TBE.....	1
21	00-814524	Bracket - Lower Condenser Return.....	1
22	00-118317	Trap - Steam (21 - 50 PSI).....	1
23	NS-015-11	Nut 5/16-18 Hex (SST).....	2
24	WL-006-23	Lockwasher 5/16 Helical.....	2
25	00-814523	Bracket - Upper Condenser Return.....	1
26	WS-029-05	Washer 0.328 x 0.750 x 0.062 (SST).....	2
27	SC-041-12	Cap Screw 5/16-18 x 7/8 Hex Hd. (SST).....	2
28	SC-041-05	Cap Screw 1/4-20 x 5/8 Hex Hd. (SST).....	8
29	WL-006-17	Lockwasher 1/4 Helical (SST).....	8
30	00-814495	Plenum - Weldment.....	1
31	SC-041-05	Cap Screw 1/4-20 x 5/8 Hex Hd. (SST).....	4
32	WL-006-17	Lockwasher 1/4 Helical (SST).....	4
33	NS-036-19	Stop Nut 5/16-18 Hex (SST).....	4
34	SC-041-05	Cap Screw 1/4-20 x 5/8 Hex Hd. (SST).....	4
35	WL-006-17	Lockwasher 1/4 Helical (SST).....	4
36	00-814496	Lid - Plenum.....	2
37	FP-088-52	Pipe 1 x 23/4 TBE.....	1



**ELECTRIC HEAT
(BLOWER DRYER)**

**ELECTRIC HEAT
(BLOWER DRYER)**

ILLUS. PL-62074	PART NO.	NAME OF PART	AMT.
1	NS-031-19	Stop Nut 1/4-20 (SST).....	2
2	00-936680	Cover - Heater.....	1
3	00-936802	Plate - Cover.....	1
4	00-936737	Plenum - Weldment.....	1
5	00-936780	Thermostat - High Limit.....	2
6	NS-031-50	Stop Nut 6-32 Hex (SST).....	4
7	SC-041-05	Cap Screw 1/4-20 x 5/8 Hex Hd. (SST).....	4
8	WL-006-17	Lockwasher 1/4 Helical (SST).....	4
9	NS-036-19	Stop Nut 5/16-18 Hex (SST).....	4
10	SC-041-05	Cap Screw 1/4-20 x 5/8 Hex Hd. (SST).....	3
11	WL-006-17	Lockwasher 1/4 Helical (SST).....	2
12	00-936740	Cover - Heater.....	1
13	NS-031-19	Stop Nut 1/4-20 (SST).....	2
14	00-936679	Support - Heater.....	1
15	00-936735-00001	Heater (208 V.).....	3
16	00-936735-00002	Heater (240 V.).....	3
17	00-936735-00005	Heater (380 V.).....	3
18	00-936735-00006	Heater (415 V.).....	3
19	00-936735-00003	Heater (480 V.).....	3
20	00-936735-00004	Heater (575-600 V.).....	3

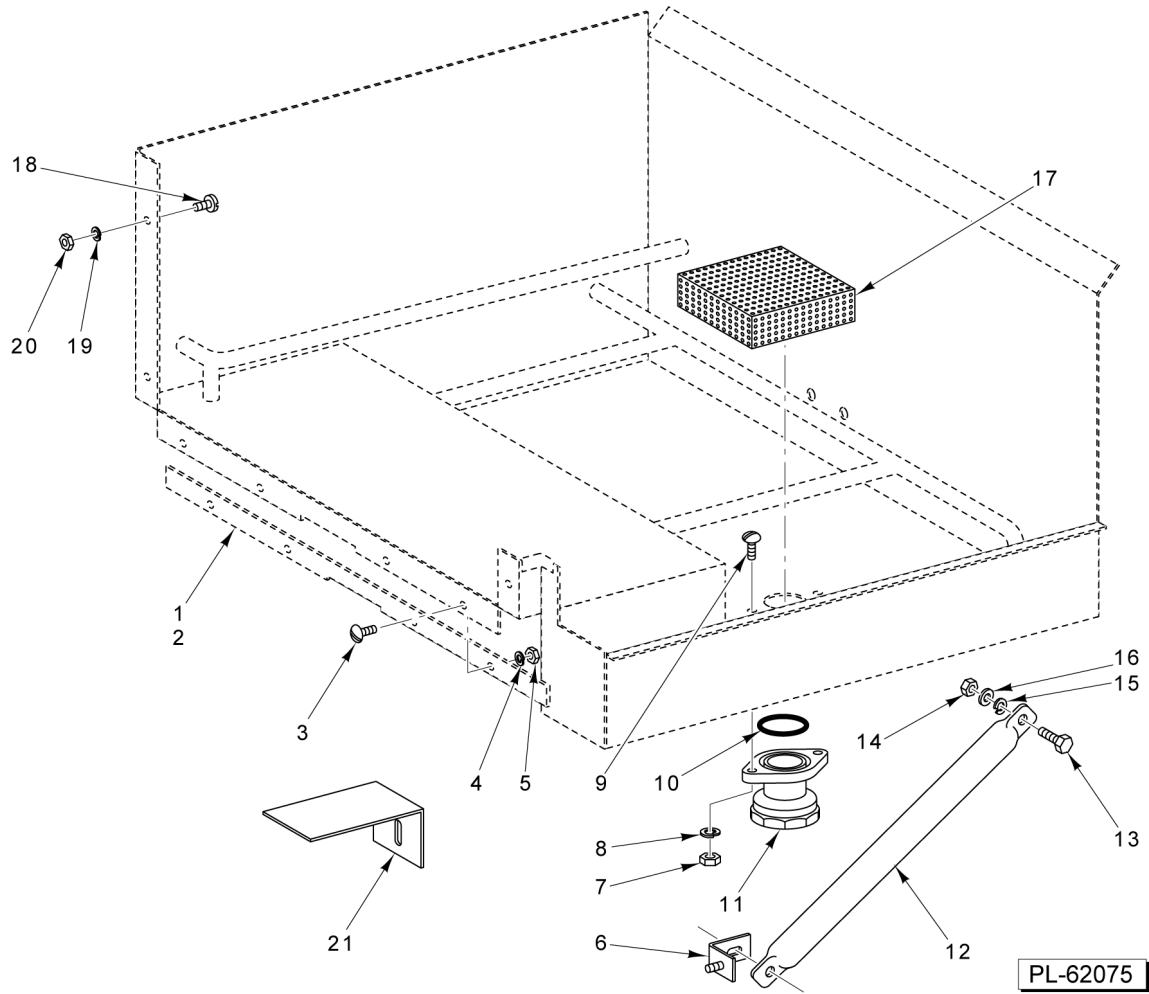
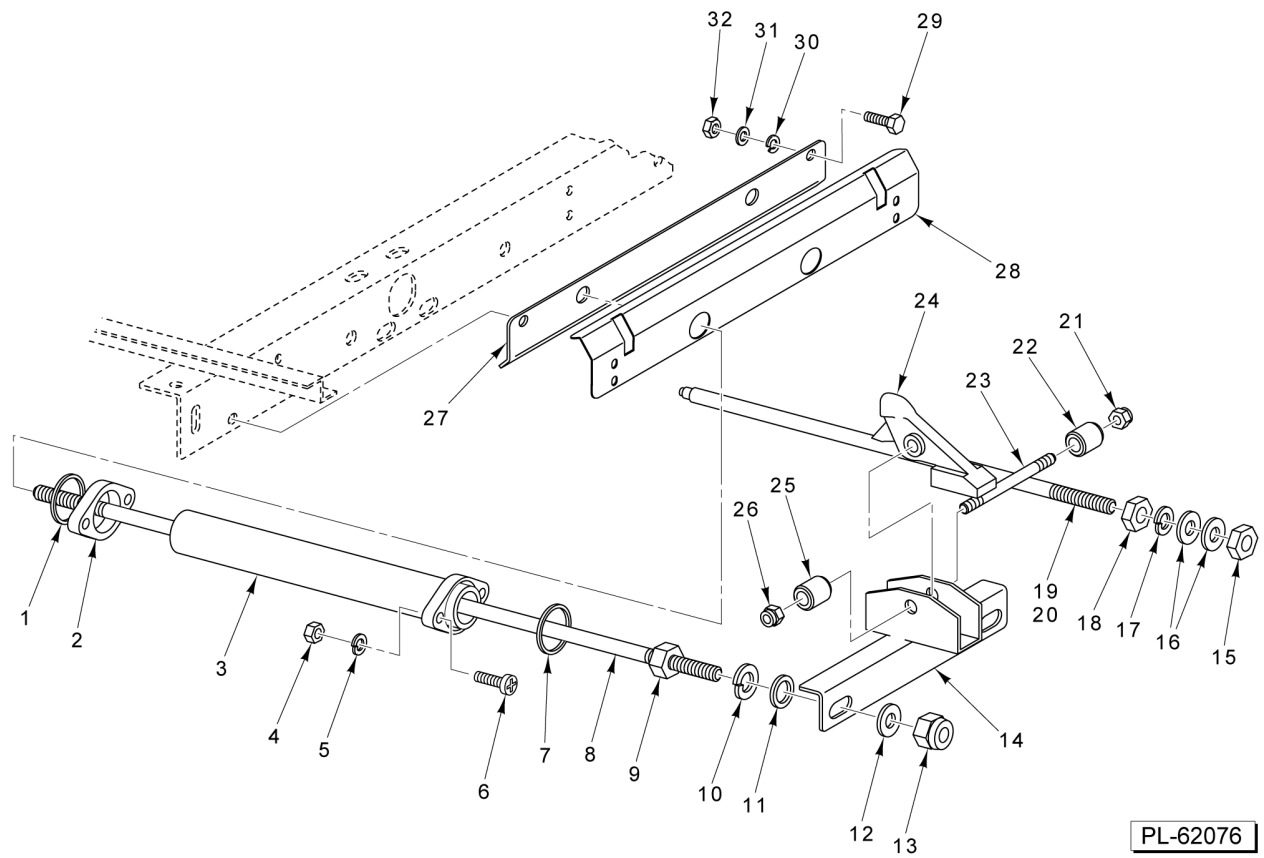


TABLE UNIT (SL23/SL30)

TABLE UNIT (SL23/SL30)

ILLUS.	PART NO.	NAME OF PART	AMT.
PL-62075			
1	00-080931-00001	Spacer (0.134 In.).....	AR
2	00-080931-00002	Spacer (0.059 In.).....	AR
3	SC-053-42	Mach. Screw 1/4-20 x 5/8 Slotted Truss Hd. (SST).....	4
4	WL-006-16	Lockwasher 1/4 Helical (SST).....	4
5	NS-015-01	Nut 1/4-20 Hex (SST).....	4
6	00-936248	Bracket - Tie Bar.....	2
7	NS-015-11	Nut 5/16-18 Hex (SST).....	2
8	WL-006-22	Lockwasher 5/16 Light (SST).....	2
9	SC-127-94	Mach. Screw 5/16-18 x 7/8 Truss Hd. (SST).....	2
10	00-067500-00020	O-Ring.....	1
11	00-107954	Drain Flange Assy.....	1
12	00-108021	Leg - Table.....	2
13	SC-041-12	Cap Screw 5/16-18 x 7/8 Hex Hd. (SST).....	4
14	NS-015-11	Nut 5/16-18 Hex (SST).....	4
15	WL-006-22	Lockwasher 5/16 Light (SST).....	4
16	WS-029-05	Washer (SST).....	4
17	00-157957	Strainer Cover Assy.....	1
18	SC-053-42	Mach. Screw 1/4-20 x 5/8 Slotted Truss Hd. (SST).....	3
19	WL-006-16	Lockwasher 1/4 Helical (SST).....	3
20	NS-015-01	Nut 1/4-20 Hex (SST).....	3
21	00-289245	Bracket - Table Support.....	1



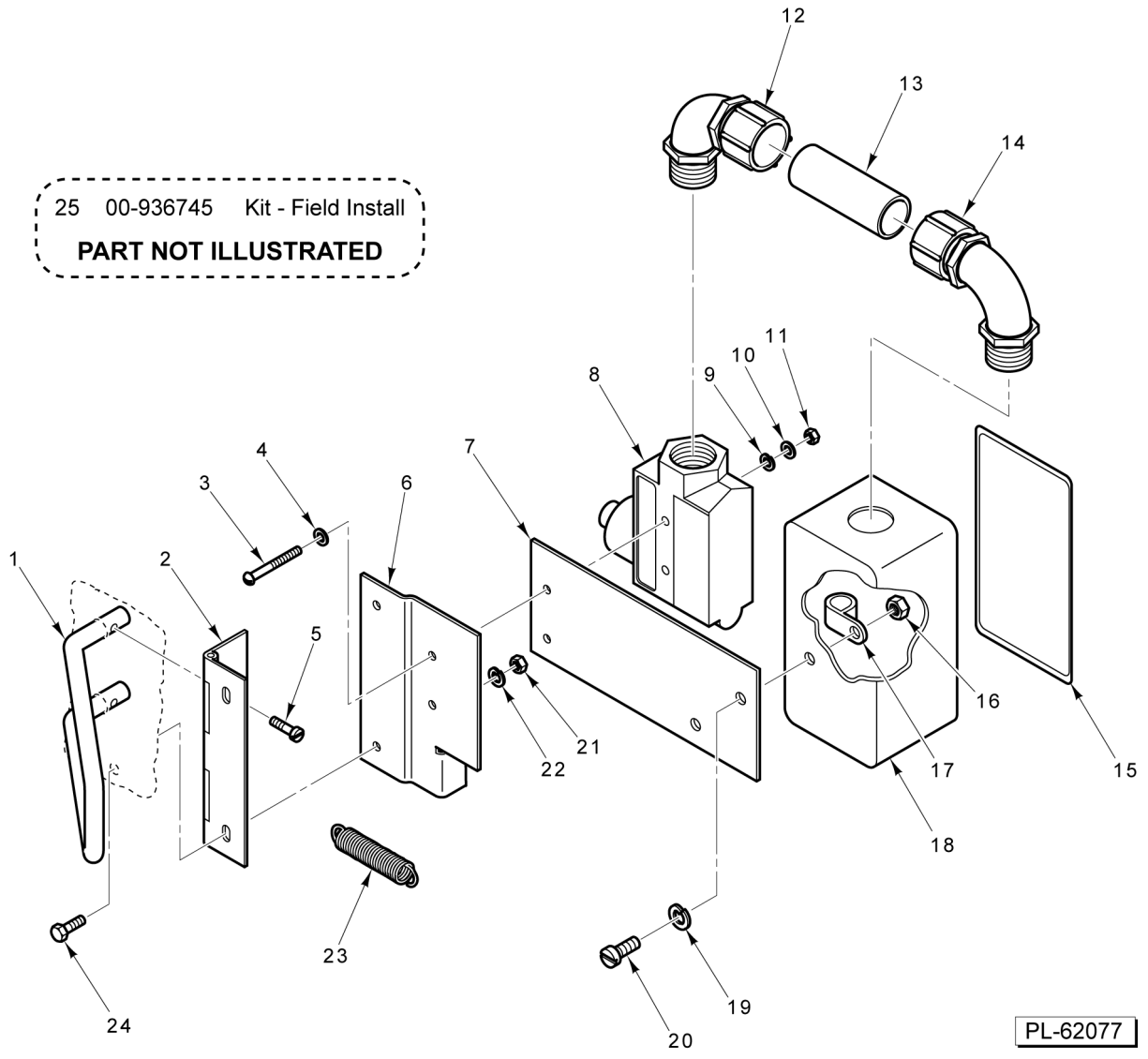
PL-62076

DRIVE UNIT (SL23/SL30)

DRIVE UNIT (SL23/SL30)

ILLUS.	PART NO.	NAME OF PART	AMT.
PL-62076			
1	00-067500-00013	O-Ring.....	2
2	00-063010	Flange.....	2
3	00-102162-00003	Tube & Flange Assy.....	2
4	NS-015-11	Nut 5/16-18 Hex (SST).....	8
5	WL-006-22	Lockwasher 5/16 Light (SST).....	8
6	SC-127-94	Mach. Screw 5/16-18 x 7/8 Truss Hd. (SST).....	8
7	00-067500-00013	O-Ring.....	2
8	00-102163-00002	Bar - Connecting.....	2
9	NS-015-20	Nut 1/2-13 Hex (SST).....	4
10	WL-006-35	Lockwasher 1/2 Light (SST).....	4
11	WS-008-43	Washer (SST).....	4
12	WS-008-43	Washer (SST).....	4
13	NS-031-36	Stop Nut 1/2-13 Hex (SST).....	4
14	00-107944	Drive Assy.....	1
15	NS-018-23	Jam Nut 1/2-13 Hex (SST).....	2
16	WS-008-43	Washer (SST).....	4
17	WL-006-35	Lockwasher 1/2 Light (SST).....	4
18	NS-018-23	Jam Nut 1/2-13 Hex (SST).....	2
19	00-107943	Rod - Slide (SL23).....	2
20	00-107943-00002	Rod - Slide (SL30).....	2
21	NS-031-33	Stop Nut 3/8-16 Hex Elastic (SST).....	1
22	00-062525	Roller - Conveyor.....	1
23	00-107941	Stud - Roller.....	1
24	00-112377	Dog.....	1
25	00-062525	Roller.....	1
26	NS-031-33	Stop Nut 3/8-16 Hex Elastic (SST).....	1
27	00-936599	Guide - Rod Sideload.....	1
28	00-936603	Baffle - Load Side.....	1
29	SC-041-12	Cap Screw 5/16-18 x 7/8 Hex Hd. (SST).....	AR
30	WL-006-22	Lockwasher 5/16 Light (SST).....	AR
31	WS-029-05	Washer (SST).....	AR
32	NS-015-11	Nut 5/16-18 Hex (SST).....	AR

25 00-936745 Kit - Field Install
PART NOT ILLUSTRATED

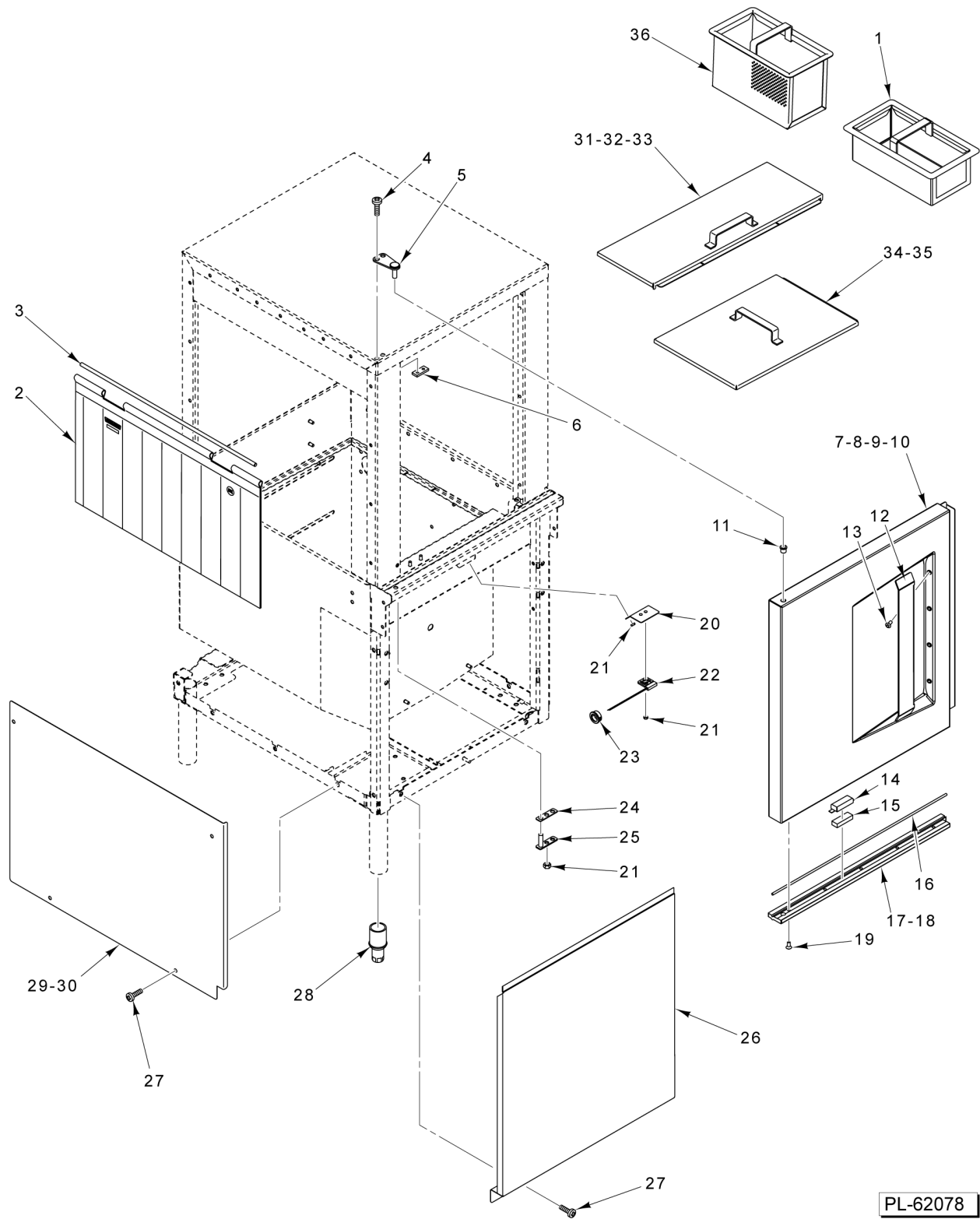


PL-62077

SWITCH UNIT (SL23/SL30)

SWITCH UNIT (SL23/SL30)

ILLUS. PL-62077	PART NO.	NAME OF PART	AMT.
1	00-749163	Rod - Actuator.....	1
2	00-087327	Hinge.....	1
3	SC-027-24	Mach. Screw 6-32 x 1-1/2 Slotted Rd. Hd. (Brass).....	2
4	WS-002-06	Washer (Brass).....	2
5	SC-069-08	Mach. Screw 10-24 x 1/2 Slotted Truss Hd. Nylok (SST).....	2
6	00-812936	Bracket - Interlock Switch.....	1
7	00-277559	Bracket.....	1
8	00-936279	Interlock Switch Assy. (Incls. Items 3, 4, 10, & 11).....	1
9	WL-014-03	Lockwasher #6 External (SST).....	2
10	WS-002-06	Washer (Brass).....	2
11	NS-010-06	Nut 6-32 Hex (Brass).....	2
12	FE-006-37	Elbow.....	1
13	00-067572-00060	Conduit.....	1
14	FE-006-37	Elbow.....	1
15	FE-004-24	Cover - Junction Box.....	1
16	NS-011-18	Nut 10-24 Hex (SST).....	2
17	00-078752-00004	Clamp - Wire.....	1
18	FE-003-19	Box - Conduit.....	1
19	WL-006-06	Lockwasher #10 Helical (SST).....	2
20	SC-053-02	Mach. Screw 10-24 x 1/2 Slotted Truss Hd. (SST).....	2
21	NS-011-18	Nut 10-24 Hex (SST).....	2
22	WL-006-06	Lockwasher #10 Helical (SST).....	2
23	00-064165-00003	Spring - Connection.....	1
24	00-081921	Mach. Screw 10-24 x 1/2 Trimmed Hex Hd.....	2
25	00-936745	Kit - Field Install (Incls. Items 1 thru 24).....	AR

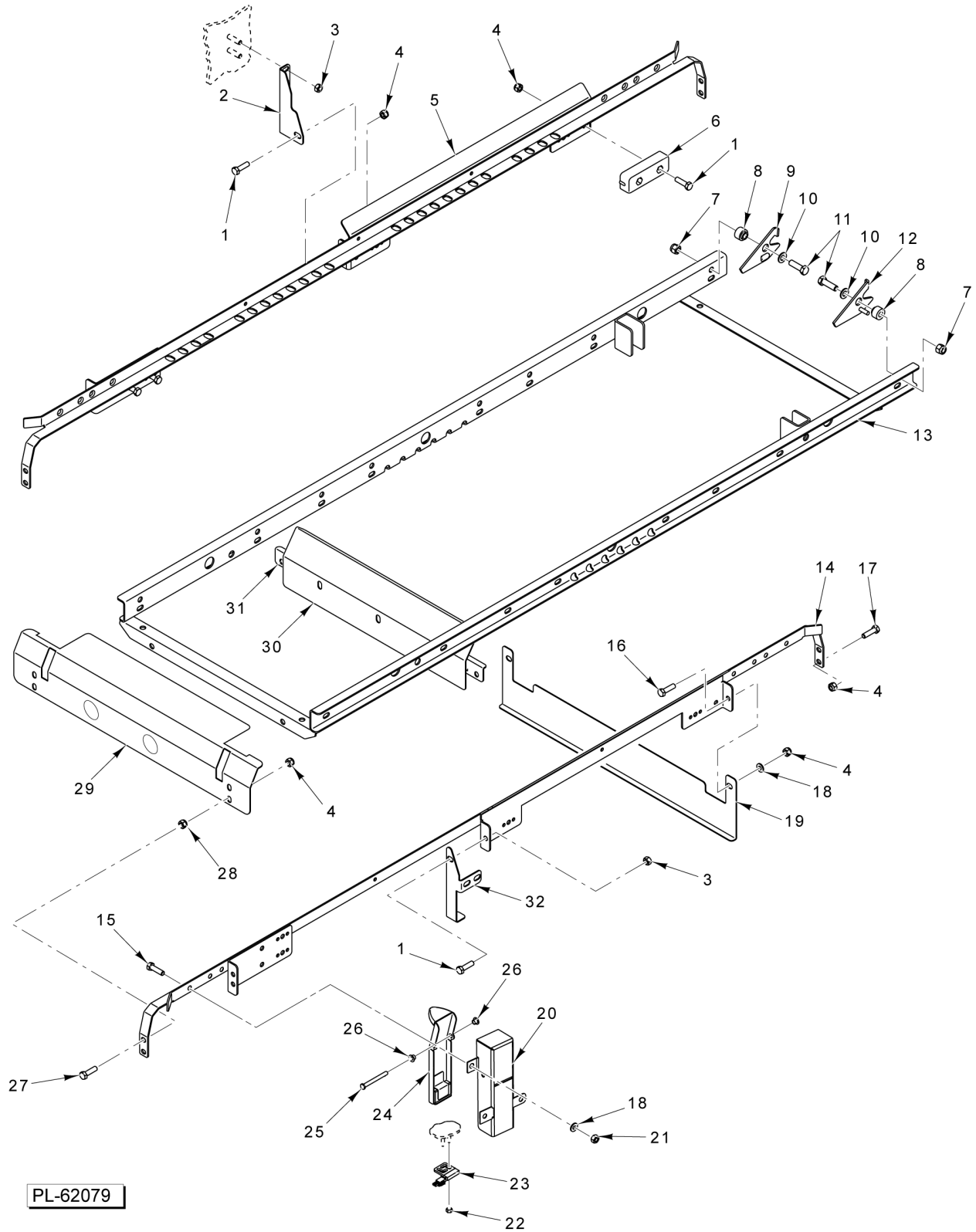


PL-62078

DOORS AND PANELS (CLPSEN)

DOORS AND PANELS (CLPSEN)

ILLUS.	PART NO.	NAME OF PART	AMT.
PL-62078			
1	00-936161-00002	Strainer - Bucket (Current Construction).....	1
2	00-919509	Curtain - Splash (Short).....	1
3	00-919507	Rod - Curtain.....	1
4	00-974897-00002	Cap Screw 5/16-18 x 5/8 Hex Hd. (SST).....	2
5	00-946760-00002	Hinge - Door (Top).....	1
6	00-974793	Plate - Nut.....	1
7	00-974423-00001	Door Assy. (LH) (STD) (Incls. Items 11 thru 17 & 19).....	1
8	00-974423-00002	Door Assy. (LH) (HTS) (Incls. Items 11 thru 17 & 19).....	1
9	00-974422-00001	Door Assy. (RH) (STD) (Incls. Items 11 thru 16, 18, & 19).....	1
10	00-974422-00002	Door Assy. (RH) (HTS) (Incls. Items 11 thru 16, 18, & 19).....	1
11	00-974909	Bearing.....	2
12	00-815725	Handle - Door.....	1
13	SC-125-94	Mach. Screw 1/4-20 x 1 Phil. Truss Hd. (SST).....	2
14	00-814895	Retainer - Magnet.....	1
15	00-290160	Magnet.....	2
16	00-557950	Gasket.....	1
17	00-919958	Seal - Door Bottom (LH).....	1
18	00-919949	Seal - Door Bottom (RH).....	1
19	SC-125-85	Mach. Screw 1/4-20 x 5/8 Phil. Truss Hd. (SST).....	5
20	00-814633-00002	Mount - Reed Switch Weldment.....	1
21	NS-047-82	Stop Nut 1/4-20 Hex (SST).....	6
22	00-814624	Switch - Interlock.....	1
23	FE-022-40	Bushing - Electrical Snap.....	1
24	00-936266	Gasket - Hinge.....	1
25	00-935868	Pin - Hinge.....	1
26	00-935870	Panel - Front Trim.....	1
27	SC-125-15	Mach. Screw 1/4-20 x 1/2 Phil. Truss Hd.....	6
28	00-288946-00002	Foot - Adjustable (1-5/8) (SST).....	1
29	00-919875	Panel - Trim End (Left).....	1
30	00-919867	Panel - Trim End (Right).....	1
31	00-974761-00001	Strainer - Rear (Base & EGR).....	1
32	00-974761-00003	Strainer - Rear (R-L, ASR).....	1
33	00-974761-00006	Strainer - Rear (L-R, ASR).....	1
34	00-974760-00001	Strainer - Front (Base & EGR).....	1
35	00-974760-00003	Strainer - Front (ASR).....	1
36	00-936161	Strainer - Bucket (Previous Construction).....	1

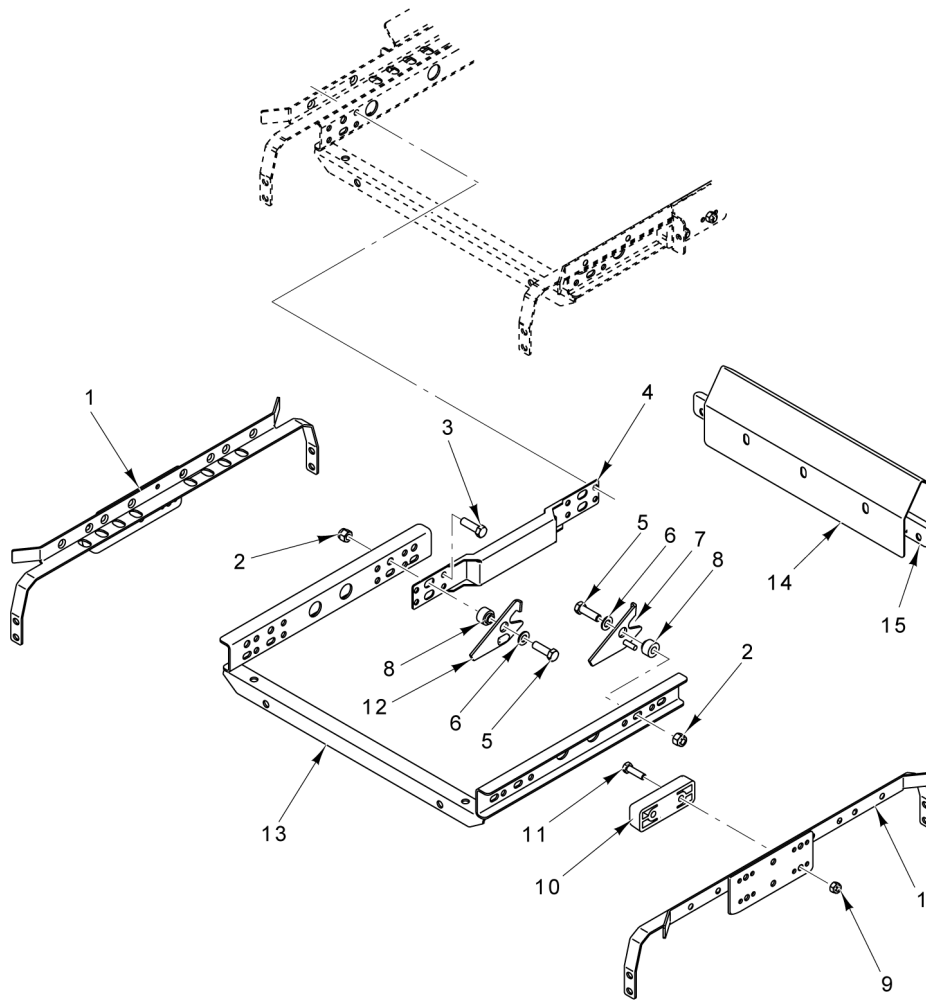


PL-62079

TRACK AND CRADLE (CLPS66EN)

TRACK AND CRADLE (CLPS66EN)

ILLUS. PL-62079	PART NO.	NAME OF PART	AMT.
1	SC-041-14	Cap Screw 5/16-18 x 1-1/8 Hex Hd. (SST).....	AR
2	00-936252	Track - Back Support.....	1
3	NS-031-19	Stop Nut 1/4-20 Hex (SST).....	AR
4	NS-036-19	Stop Nut 5/16-18 Hex Special (SST).....	AR
5	00-919832-00001	Rack - Track (66 In.) (Front R-L) (Rear L-R).....	1
6	00-936951	Slider - Large.....	4
7	NS-046-09	Stop Nut 3/8-16 Hex (SST).....	8
8	00-270983	Spacer - Cradle Dog.....	8
9	00-436704-00001	Dog Pin (Front R-L; Rear L-R).....	4
10	WS-018-04	Washer (SST).....	8
11	SC-041-49	Cap Screw 3/8-16 x 1-3/8 Hex Hd. (SST).....	8
12	00-436704-00002	Dog Pin (Front L-R; Rear R-L).....	4
13	00-935969	Cradle (66 In.).....	1
14	00-919832-00002	Rack - Track (66 In.) (Front L-R) (Rear R-L).....	1
15	SC-022-40	Mach. Screw 1/4-20 x 3/4 Phil. Flat Hd. (SST).....	2
16	SC-041-05	Cap Screw 1/4-20 x 5/8 Hex Hd. (SST).....	2
17	SC-041-10	Cap Screw 5/16-18 x 5/8 Hex Hd. (SST).....	4
18	WS-017-06	Washer (SST).....	4
19	00-936185	Baffle - Rinse Area.....	1
20	00-936249	Shroud - Actuator.....	1
21	NS-047-82	Stop Nut 1/4-20 Hex (SST).....	2
22	NS-031-15	Stop Nut 10-24 Hex (SST).....	4
23	00-814641	Kit - Interlock Switch.....	1
24	00-919703	Actuator - Rinse Pivot.....	1
25	00-936369	Pin - Pivot SLIC.....	1
26	WS-017-06	Washer (SST).....	2
27	SC-041-11	Cap Screw 5/16-18 x 3/4 Hex Hd. (SST).....	4
28	NS-015-11	Nut 5/16-18 Hex (SST).....	4
29	00-936176	Baffle - Load.....	1
30	00-936186	Baffle - Tank Separator.....	1
31	00-935968	Support - Tank.....	1
32	00-936250	Track - Support.....	1

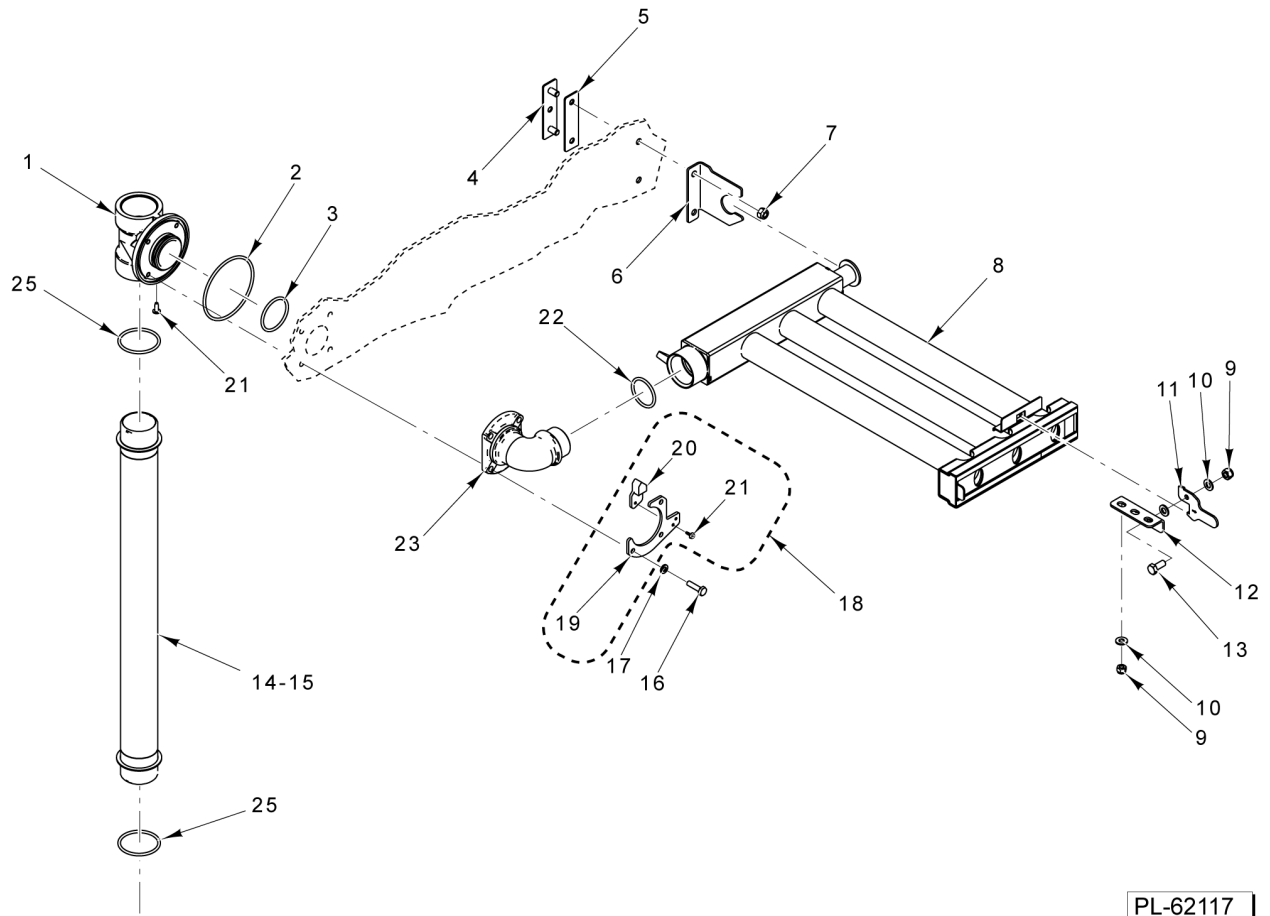


PL-62080

TRACK AND CRADLE (CLPS76/86EN)

TRACK AND CRADLE (CLPS76/86EN)

ILLUS.	PART NO.	NAME OF PART	AMT.
PL-62080			
1	00-919835-00001	Rack - Track (22 In.) (Use with CL54/64eN track rack).....	2
2	NS-046-09	Stop Nut 3/8-16 Hex (SST).....	2
3	SC-041-05	Cap Screw 1/4-20 x 5/8 Hex Hd. (SST).....	AR
4	00-936307	Bracket - Push.....	2
5	SC-041-31	Cap Screw 3/8-16 x 1-1/4 Hex Hd. (SST).....	2
6	WS-018-04	Washer (SST).....	2
7	00-436704-00002	Dog Pin (Front L-R; Rear R-L).....	1
8	00-270983	Spacer - Cradle Dog.....	2
9	NS-036-19	Stop Nut 5/16-18 Hex Special (SST).....	2
10	00-814928	Slider.....	1
11	SC-041-14	Cap Screw 5/16-18 x 1-1/8 Hex Hd. (SST).....	2
12	00-436704-00001	Dog Pin (Front R-L; Rear L-R).....	1
13	00-919885	Cradle.....	1
14	00-936430	Baffle - Tank Separator.....	1
15	00-936317	Support - Tank.....	1

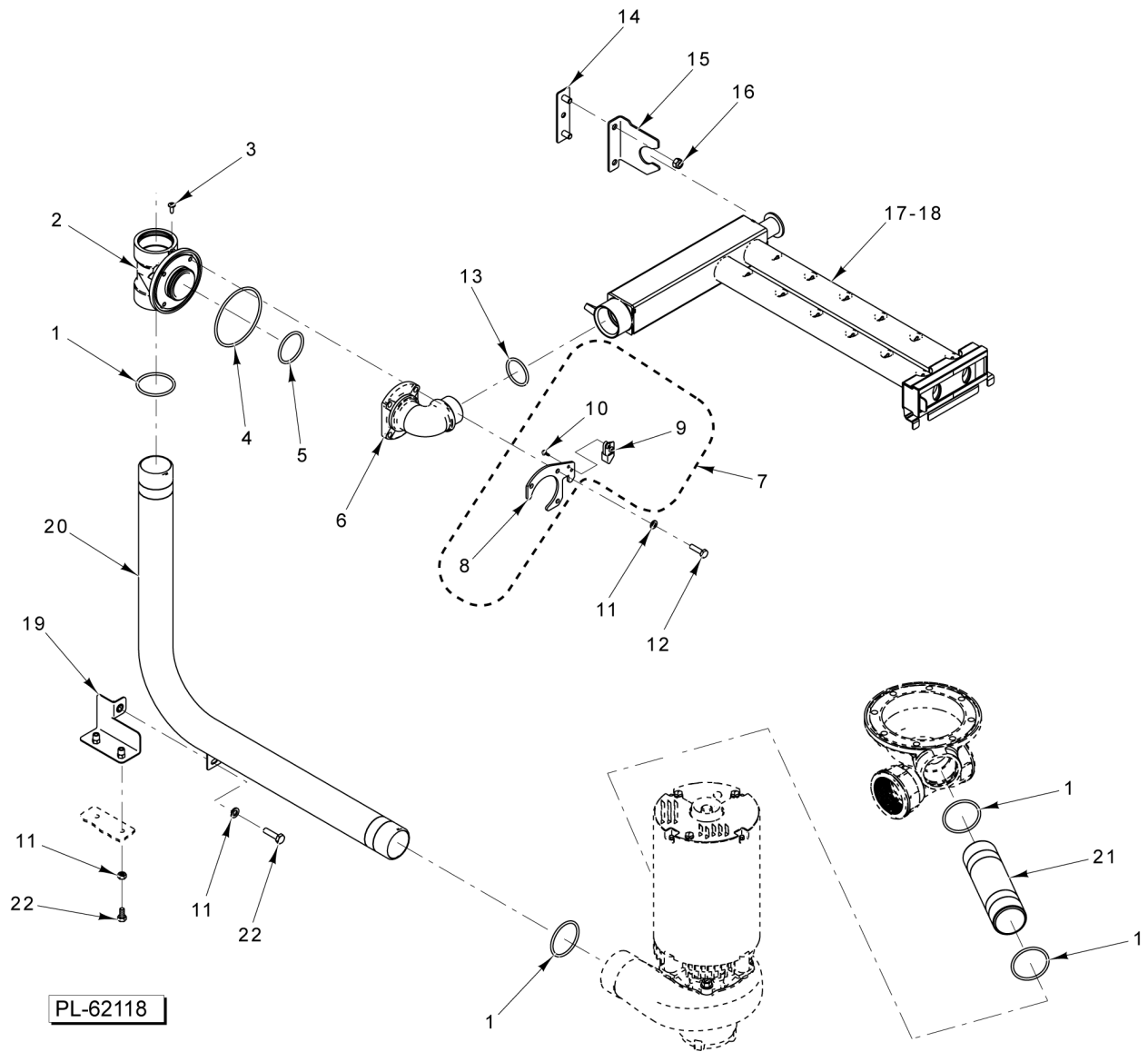


PL-62117

PREWASH UPPER WASH ARM (CL66/CL75/CL86)

PREWASH UPPER WASH ARM (CL66/CL75/CL86)

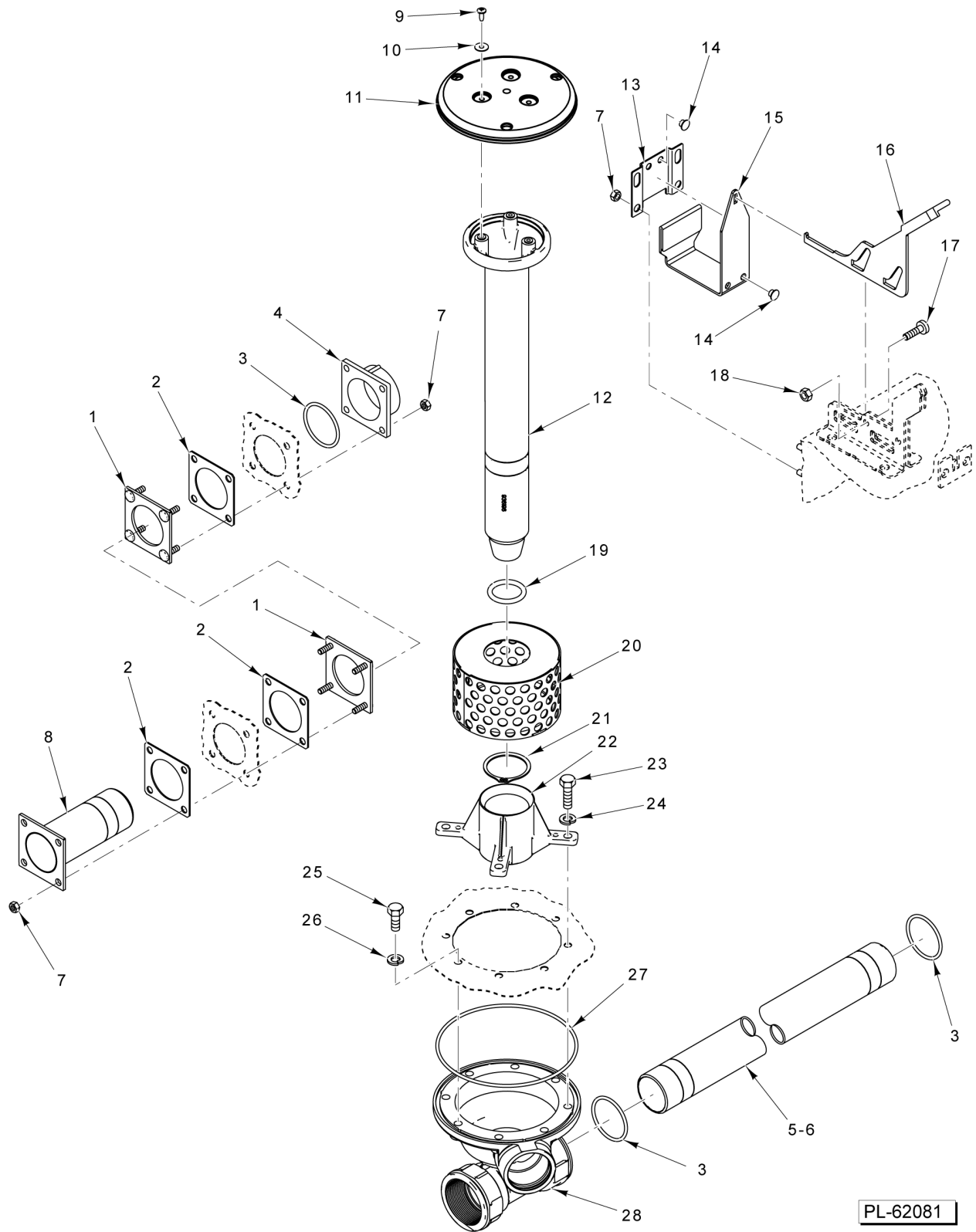
ILLUS. PL-62117	PART NO.	NAME OF PART	AMT.
1	00-919663-00001	Manifold - Elbow.....	1
2	00-067500-00132	O-Ring.....	1
3	00-067500-00019	O-Ring.....	1
4	00-936202	Plate - Mounting.....	1
5	00-814592	Gasket - Mounting Plate.....	1
6	00-919931	Bracket - Guide (Wash Arm).....	1
7	NS-036-19	Stop Nut 5/16-18 Hex Special (SST).....	2
8	00-563419-00003	Arm - Prewash (Upper).....	1
9	NS-047-82	Stop Nut 1/4-20 Hex (SST).....	4
10	WS-017-06	Washer (SST).....	5
11	00-919378	Latch.....	1
12	00-919379	Bracket - Latch.....	1
13	SC-041-01	Cap Screw 1/4-20 x 3/4 Hex Hd. (SST).....	1
14	00-936020-00001	Tube - Feed (STD).....	1
15	00-936020-00002	Tube - Feed (HTS).....	1
16	SC-041-02	Cap Screw 1/4-20 x 1 Hex Hd. (SST).....	4
17	WL-006-17	Lockwasher 1/4 Helical (SST).....	1
18	00-936222	Cam Plate Assy. (Incls. Items 19, 20, & 21).....	1
19	00-936168	Plate - Adjuster.....	1
20	00-936166	Block - Wear.....	1
21	00-893777-00001	Self-Tapping Screw 6-19 x 3/8 (Thread-Forming) (SST).....	2
22	00-067500-00014	O-Ring.....	1
23	00-919926	Manifold - Elbow.....	1
24	SD-038-84	Self-Tapping Screw 10-24 x 1/2 Phil. Truss Hd., Type F (SST).....	1
25	00-067500-00057	O-Ring.....	2



PREWASH LOWER WASH ARM (CL66/CL76/CL86)

PREWASH LOWER WASH ARM (CL66/CL76/CL86)

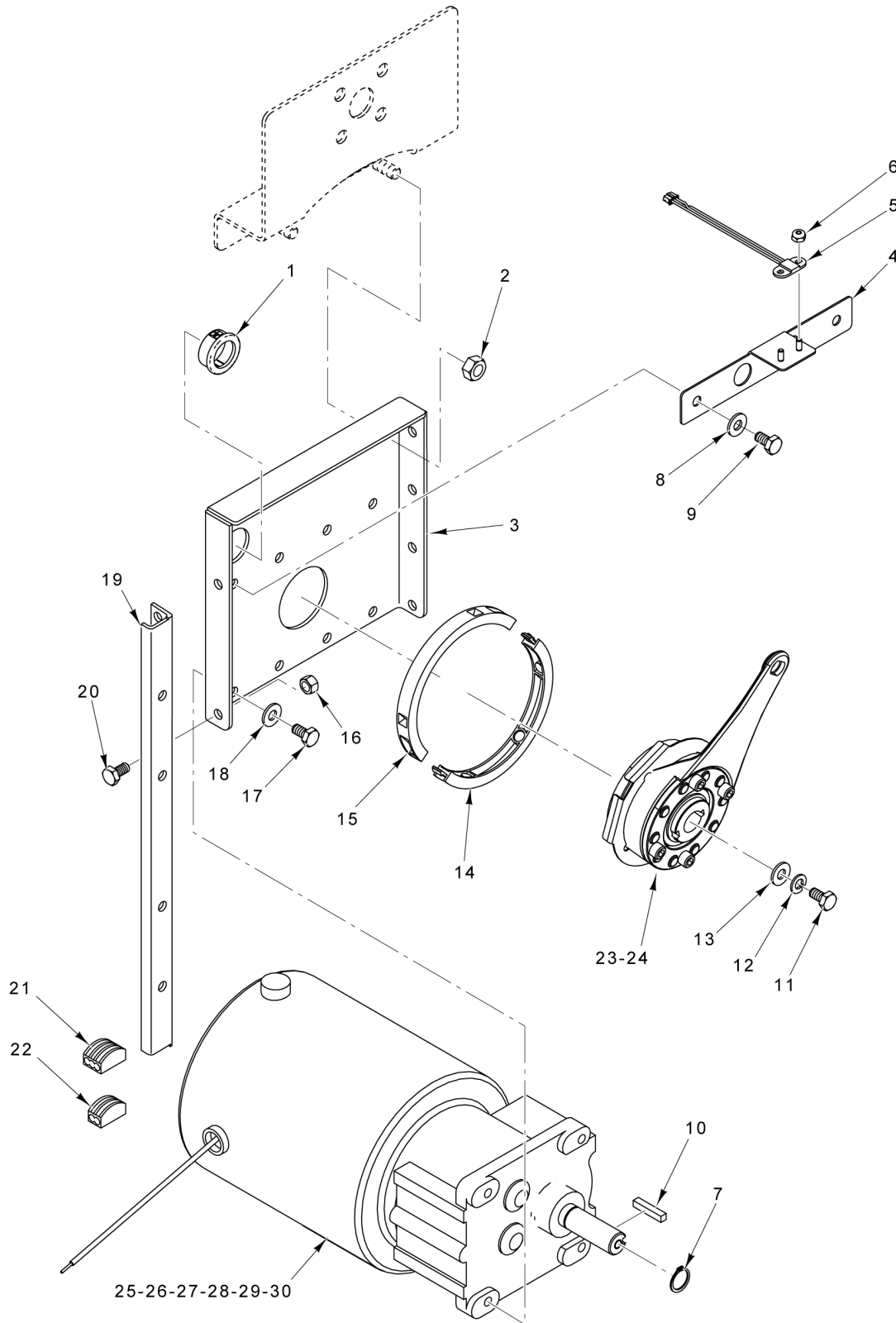
ILLUS.	PART NO.	NAME OF PART	AMT.
PL-62118			
1	00-067500-00057	O-Ring.....	4
2	00-919663-00002	Manifold - Tee.....	1
3	SD-038-84	Self-Tapping Screw 10-24 x 1/2 Phil. Truss Hd., Type F (SST).....	1
4	00-067500-00132	O-Ring.....	1
5	00-067500-00019	O-Ring.....	1
6	00-919926	Manifold - Elbow.....	1
7	00-936222	Cam Plate Assy. (Incls. Items 8, 9, & 10).....	1
8	00-936168	Plate - Adjuster.....	1
9	00-936166	Block - Wear.....	1
10	00-893777-00001	Self-Tapping Screw (Thread Forming).....	2
11	WL-006-17	Lockwasher 1/4 Helical (SST).....	7
12	SC-109-47	Cap Screw 1/4-20 x 7/8 Hex Hd. (SST).....	4
13	00-067500-00014	O-Ring.....	1
14	00-936202	Plate - Mounting.....	1
15	00-919931	Bracket - Guide (Wash Arm).....	1
16	NS-036-19	Stop Nut 5/16-18 Hex Special (SST).....	2
17	00-563425-00003	Arm - Prewash (Lower) (R-L).....	1
18	00-563425-00004	Arm - Prewash (Lower) (L-R).....	1
19	00-936401-00001	Bracket - Wash Mount Assy.....	1
20	00-935979	Tube - Feed.....	1
21	00-919738-00003	Tube - Feed.....	1
22	SC-041-50	Cap Screw 1/4-20 x 1/2 Hex Hd. (SST).....	3



PREWASH DRAIN AND FLOWBACK (CL66/CL76/CL86)

PREWASH DRAIN AND FLOWBACK (CL66/CL76/CL86)

ILLUS.	PART NO.	NAME OF PART	AMT.
PL-62081			
1	00-919806	Plate - Flowback.....	2
2	00-120603	Gasket - Seal Retainer.....	3
3	00-067500-00057	O-Ring.....	3
4	00-941711	Flange - Overflow.....	1
5	00-919738-00004	Tube - Drain to Drain (25 In.).....	1
6	00-919738-00006	Tube - Drain To Drain (23-15/16 In.).....	1
7	NS-031-19	Stop Nut 1/4-20 Hex (SST).....	12
8	00-919811	Tube - Flowback Weldment.....	1
9	SD-038-85	Self-Tapping Screw 10-24 x 3/4 Phil. Truss Hd. Type F (SST).....	3
10	WS-017-06	Washer (SST).....	3
11	00-936738	Cover - Standpipe.....	1
12	00-936196	Tube - Overflow.....	1
13	00-919790	Guide - Lift.....	1
14	00-936372	Button - Wear.....	4
15	00-974409	Lift - Guide.....	1
16	00-563681	Link - Lift.....	1
17	SC-130-42	Shoulder Screw 5/16 Dia. 1/4-20 x 1/2 Socket Hex Hd. (SST).....	2
18	NS-047-82	Stop Nut 1/4-20 Hex (SST).....	2
19	00-067500-00120	O-Ring.....	1
20	00-936223	Strainer - Overflow Weldment.....	1
21	RR-012-37	Retaining Ring.....	1
22	00-936247	Guide - Standpipe.....	1
23	SC-041-11	Cap Screw 5/16-18 x 3/4 Hex Hd. (SST).....	4
24	WS-017-08	Washer (0.328 x 0.625 x 0.062) (SST).....	4
25	SC-041-10	Cap Screw 5/16-18 x 5/8 Hex Hd. (SST).....	4
26	WL-006-23	Lockwasher 5/16 Helical (SST).....	4
27	00-067500-00136	O-Ring.....	1
28	00-919725	Drain.....	1

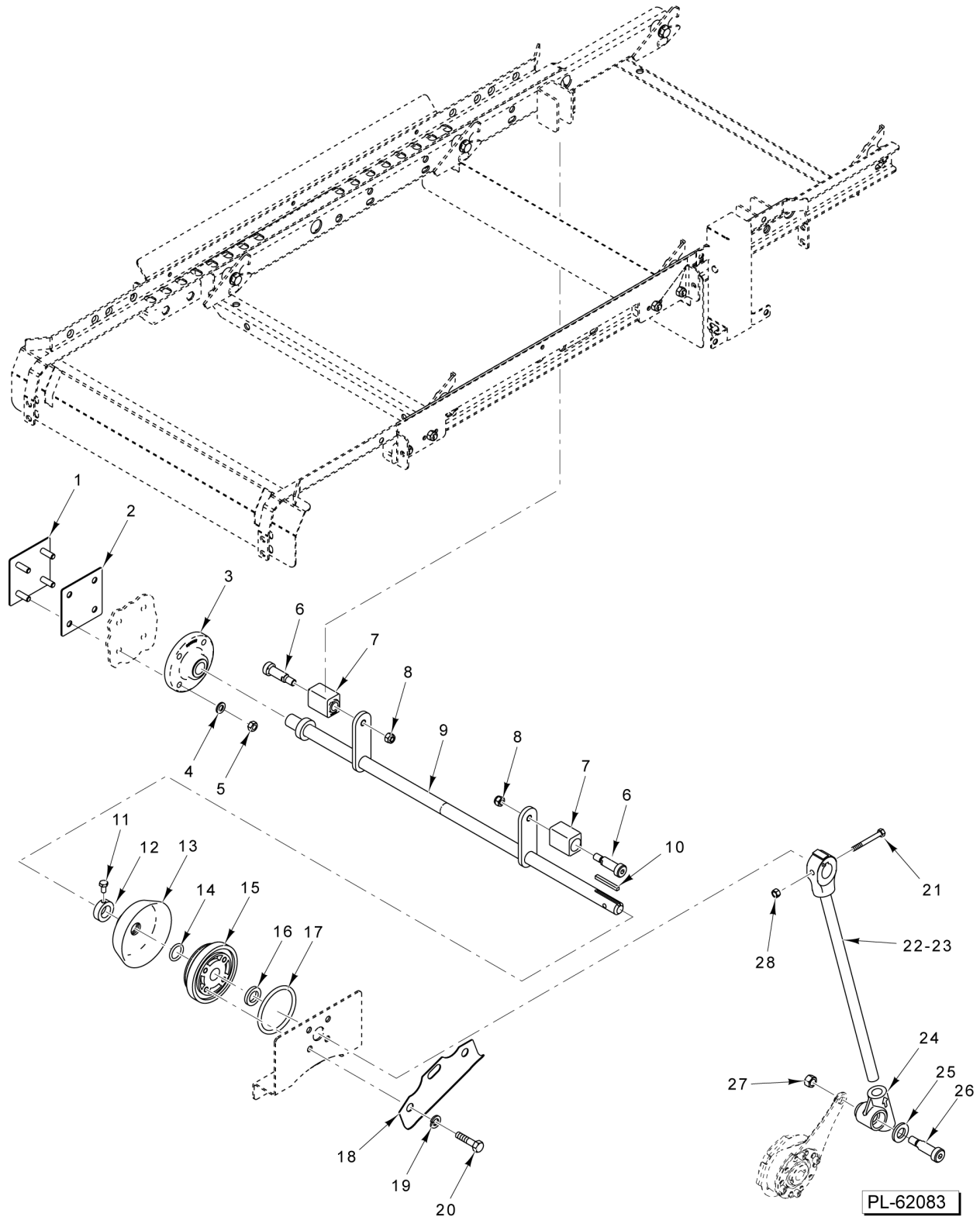


PL-62082

CONVEYOR DRIVE MOTOR

CONVEYOR DRIVE MOTOR

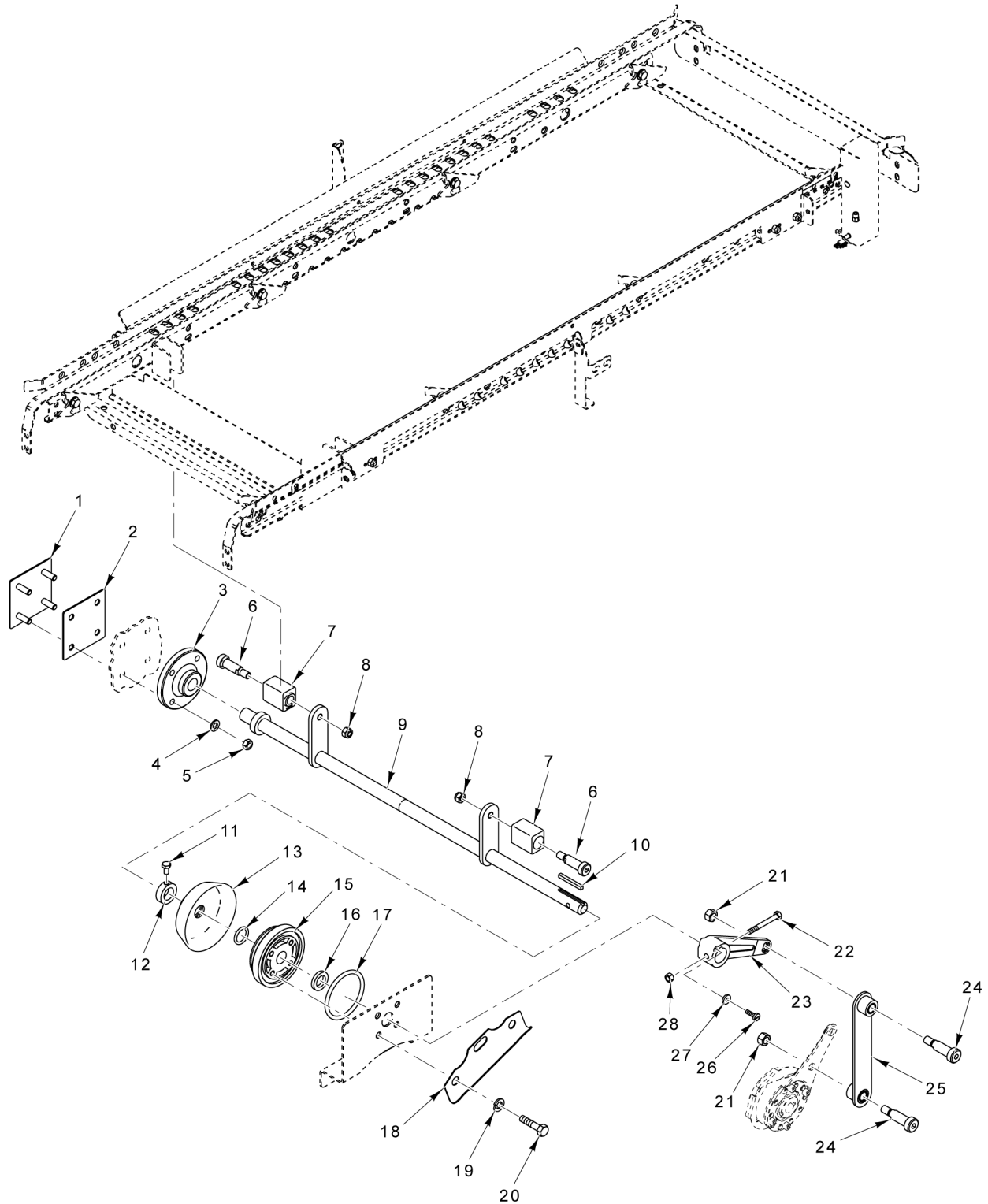
ILLUS.	PART NO.	NAME OF PART	AMT.
PL-62082			
1	FE-022-40	Bushing - Electrical Snap (3/4 In.).....	1
2	NS-036-19	Stop Nut 5/16-18 Hex Special (SST).....	2
3	00-919602	Bracket - Motor Mount.....	1
4	00-815629	Plate - Sensor Mounting.....	1
5	01-605029	Sensor.....	1
6	NS-031-50	Stop Nut 6-32 Hex (SST).....	1
7	RR-012-36	Retaining Ring.....	1
8	WL-006-17	Lockwasher 1/4 Helical (SST).....	2
9	SC-041-05	Cap Screw 1/4-20 x 5/8 Hex Hd. (SST).....	2
10	00-012430-00087	Key (1-1/4 In. Lg.).....	1
11	SC-041-05	Cap Screw 1/4-20 x 5/8 Hex Hd. (SST).....	1
12	WL-006-17	Lockwasher 1/4 Helical (SST).....	1
13	WS-004-03	Washer (Brass).....	1
14	00-892024-00001	Housing Ring - Magnet (Male).....	1
15	00-892024-00002	Housing Ring - Magnet (Female).....	1
16	NS-036-19	Stop Nut 5/16-18 Hex Special (SST).....	2
17	SC-041-05	Cap Screw 1/4-20 x 5/8 Hex Hd. (SST).....	2
18	WL-006-17	Lockwasher 1/4 Helical (SST).....	2
19	00-919621	Support - Frame.....	1
20	SC-041-10	Cap Screw 5/16-18 x 5/8 Hex Hd. (SST).....	2
21	00-557975	Connector - Wire Terminal Block (3 Connector).....	1
22	00-557976	Connector - Wire Terminal Block (2 Connector).....	1
23	00-913102-00387	KIT, CLUTCH DRIVE SPRING/MAGNETS (6 Spring) (CL44/54eN).....	1
24	00-941322-00001	Drive Clutch Assy. (10 Spring) (CL64eN).....	1
25	01-605209-00001	Motor - Conveyor Drive (200/240 V., 60 Hz., 1 Ph.).....	1
26	01-605209-00002	Motor - Conveyor Drive (200/240 V., 60 Hz., 1 Ph.).....	1
27	01-605209-00003	Motor - Conveyor Drive (200/240 V., 60 Hz., 1 Ph.).....	1
28	01-605209-00004	Motor - Conveyor Drive (200/240 V., 50 Hz., 1 Ph.).....	1
29	01-605209-00005	Motor - Conveyor Drive (200/240 V., 50 Hz., 1 Ph.).....	1
30	01-605209-00006	Motor - Conveyor Drive (200/240 V., 50 Hz., 1 Ph.).....	1



CONVEYOR DRIVE (CL44/54EN)

CONVEYOR DRIVE (CL44/54EN)

ILLUS.	PART NO.	NAME OF PART	AMT.
PL-62083			
1	00-935985	Plate - Housing Bearing Mounting.....	1
2	00-814593	Gasket - Plate Bearing.....	1
3	00-941728	Bearing - Back Housing.....	1
4	WS-017-18	Washer (Lead).....	4
5	NS-036-19	Stop Nut 5/16-18 Hex Special (SST).....	4
6	SC-130-15	Shoulder Screw 3/8-16 x 1-1/4 Hex Socket Hd. (SST).....	2
7	00-919274	Slider - Conveyor Drive.....	2
8	NS-048-86	Lock Nut 3/8-16 Flexloc (SST).....	2
9	00-919800	Weldment, Shaft, Drive.....	1
	00-913102-00290	Shaft Drive Bearing Kit (Includes Items 3, 4, 8-15).....	AR
10	00-012430-00088	Key.....	1
11	SC-036-14	Cap Screw 1/4-20 x 1/2 Hex Hd.....	1
12	00-918993	Collar (Incls. Item 11).....	1
13	00-918957	Deflector - Bearing.....	1
14	00-067500-00151	O-Ring.....	1
15	00-941727-00002	Bearing - Front Housing.....	1
16	00-936177	Seal - Shaft.....	1
17	00-067500-00150	O-Ring.....	1
18	00-936103-00002	Diverter - Water.....	1
19	WL-006-23	Lockwasher 5/16 Helical (SST).....	4
20	SC-041-10	Cap Screw 5/16-18 x 5/8 Hex Hd. (SST).....	4
21	SC-130-43	Cap Screw 1/4-20 x 1-3/4 Hex Hd. (SST).....	1
22	00-941145	Kit - Slider Rod (Incls. Items 24, 25, & 26).....	1
23	00-941156	Rod - Hub.....	1
24	00-936939	Slider - Rod.....	1
25	WS-019-39	Washer (SST).....	1
26	SC-131-13	Shoulder Screw 1/2 Dia. x 1 Lg. 3/8-16 Hex Socket Hd. (SST).....	1
27	NS-015-13	Nut 3/8-16 Hex (SST).....	1
28	NS-047-82	Stop Nut 1/4-20 Hex (SST).....	1

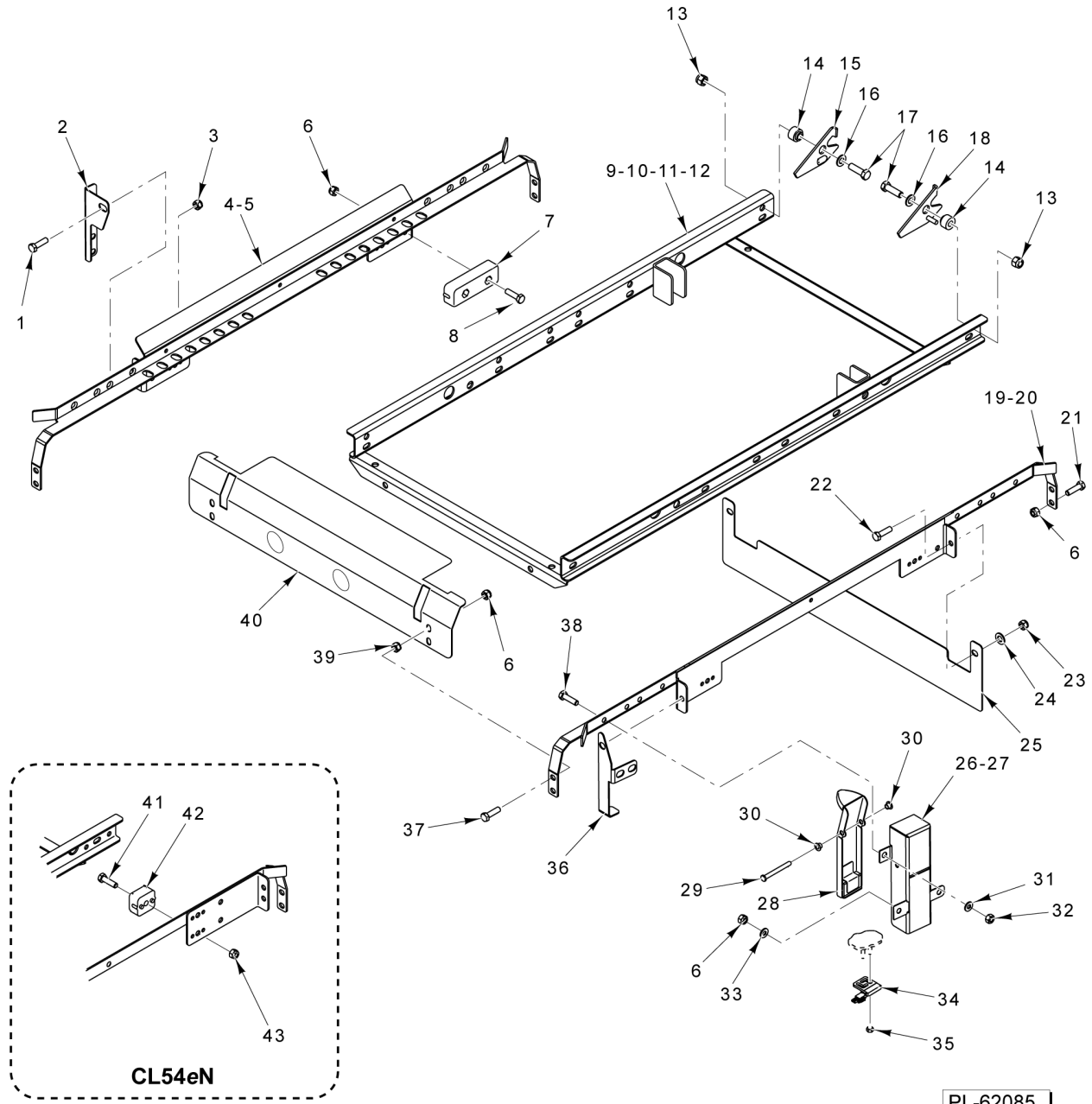


PL-62084

CONVEYOR DRIVE (CL64EN)

CONVEYOR DRIVE (CL64EN)

ILLUS.	PART NO.	NAME OF PART	AMT.
PL-62084			
1	00-935985	Plate - Housing Bearing Mounting.....	1
2	00-814593	Gasket - Plate Bearing.....	1
3	00-941728	Bearing - Back Housing.....	1
4	WS-017-18	Washer (Lead).....	4
5	NS-036-19	Stop Nut 5/16-18 Hex Special (SST).....	4
6	SC-130-15	Shoulder Screw 3/8-16 x 1-1/4 Hex Socket Hd. (SST).....	2
7	00-919274	Slider - Conveyor Drive.....	2
8	NS-036-19	Stop Nut 5/16-18 Hex Special (SST).....	2
9	00-913102-00278	Shaft - Drive.....	1
		(Includes Items 4-13).....	AR
10	00-012430-00088	Key.....	1
11	SC-036-14	Cap Screw 1/4-20 x 1/2 Hex Hd.....	1
12	00-918993	Collar (Incls. Item 11).....	1
13	00-918957	Deflector - Bearing.....	1
14	00-067500-00151	O-Ring.....	1
15	00-941727-00002	Bearing - Front Housing.....	1
16	00-936177	Seal - Shaft.....	1
17	00-067500-00150	O-Ring.....	1
18	00-936103-00002	Diverter - Water.....	1
19	WL-006-23	Lockwasher 5/16 Helical (SST).....	4
20	SC-041-10	Cap Screw 5/16-18 x 5/8 Hex Hd. (SST).....	4
21	NS-015-13	Nut 3/8-16 Hex (SST).....	2
22	SC-130-43	Cap Screw 1/4-20 x 1-3/4 Hex Hd. (SST).....	1
23	00-936817	Lever - Drive.....	1
24	SC-131-13	Shoulder Screw 1/2 Dia. x 1 Lg. 3/8-16 Hex Socket Hd. (SST).....	2
25	00-936857	Arm Assy. - Connecting (Incls. Bushings).....	1
26	SC-053-01	Mach. Screw 10-24 x 1/4 Slotted Truss Hd. (SST).....	1
27	WS-017-01	Washer 0.328 x 0.875 x 0.062 (SST).....	1
28	NS-031-19	Stop Nut 1/4-20 Hex (SST).....	1

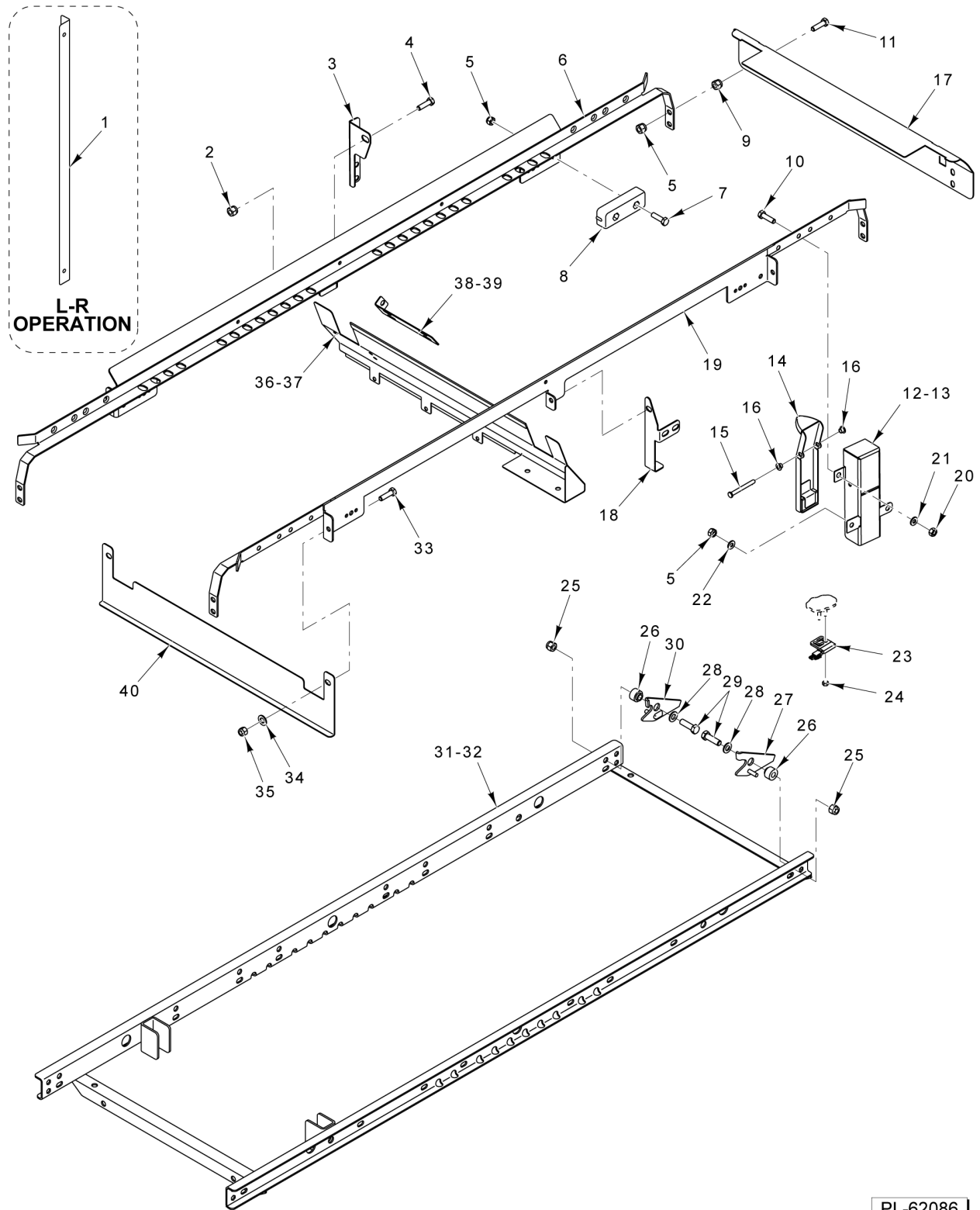


CONVEYOR (CL44/54EN)

CONVEYOR (CL44/54EN)

ILLUS.	PART NO.	NAME OF PART	AMT.
PL-62085			
1	SC-041-10	Cap Screw 5/16-18 x 5/8 Hex Hd. (SST) (CL54eN Only).....	3
2	00-936252	Track - Back Support (CL54eN Only).....	1
3	NS-015-11	Nut 5/16-18 Hex (SST) (CL54eN Only).....	3
4	00-919830-00001	Track - Rack (CL44eN) (Front & Back, R-L & L-R).....	2
5	00-919833-00002	Track - Rack (CL54eN) (Front, R-L; Back, L-R).....	1
6	NS-036-19	Stop Nut 5/16-18 Hex Special (SST).....	AR
7	00-814928	Slider.....	4
8	SC-041-14	Cap Screw 5/16-18 x 1-1/8 Hex Hd. (SST).....	8
9	00-919906-00001	Dog Cradle Assy. (CL44eN) (Incls. Items 11 & 13 thru 18).....	1
10	00-919911-00001	Dog Cradle Assy. (CL54eN) (Incls. Items 12 thru 18).....	1
11	00-919694	Cradle (CL44eN).....	1
12	00-936070	Cradle (CL54eN).....	1
13	NS-046-09	Stop Nut 3/8-16 Hex (SST).....	6
14	00-270983	Spacer.....	6
*15	00-436704-00001	Dog Pin (Front R-L; Rear L-R).....	3
16	WS-018-04	Washer (SST).....	6
17	SC-041-49	Cap Screw 3/8-16 x 1-3/8 Hex Hd. (SST).....	6
*18	00-436704-00002	Dog Pin (Front L-R; Rear R-L).....	3
19	00-919830-00001	Track - Rack (CL44eN) (Front & Back, R-L & L-R).....	1
20	00-919833-00001	Track - Rack (CL54eN) (Front, L-R; Back, R-L).....	1
21	SC-041-10	Cap Screw 5/16-18 x 5/8 Hex Hd. (SST).....	4
22	SC-041-05	Cap Screw 1/4-20 x 5/8 Hex Hd. (SST).....	2
23	NS-031-19	Stop Nut 1/4-20 Hex (SST).....	2
24	WS-017-06	Washer (SST).....	2
25	00-936185	Baffle - Rinse Area.....	1
26	00-919704	Actuator Assy. - Pivot (Incls. Items 27 thru 30).....	2
27	00-936249	Shroud - Actuator.....	1
28	00-919703	Pivot - Rinse Actuator.....	1
29	00-936369	Pin - Pivot SLIC.....	1
30	WS-017-06	Washer (SST) (Current Construction).....	2
31	WS-017-06	Washer (SST).....	2
32	NS-047-82	Stop Nut 1/4-20 Hex (SST).....	2
33	WS-017-01	Washer 0.328 x 0.875 x 0.062 (SST).....	2
34	00-814641	Kit - Interlock Switch.....	2
35	NS-031-15	Stop Nut 10-24 Hex (SST).....	4
36	00-936250	Track - Support.....	1
37	SC-041-11	Cap Screw 5/16-18 x 3/4 Hex Hd. (SST).....	4
38	SC-022-40	Mach. Screw 1/4-20 x 3/4 Phil. Flat Hd. (SST).....	2
39	NS-015-11	Nut 5/16-18 Hex (SST).....	4
40	00-936176	Baffle - Load.....	1
41	SC-041-14	Cap Screw 5/16-18 x 1-1/8 Hex Hd. (SST).....	1
42	00-473232	Slider - Small.....	1
43	NS-036-19	Stop Nut 5/16-18 Hex Special (SST).....	1

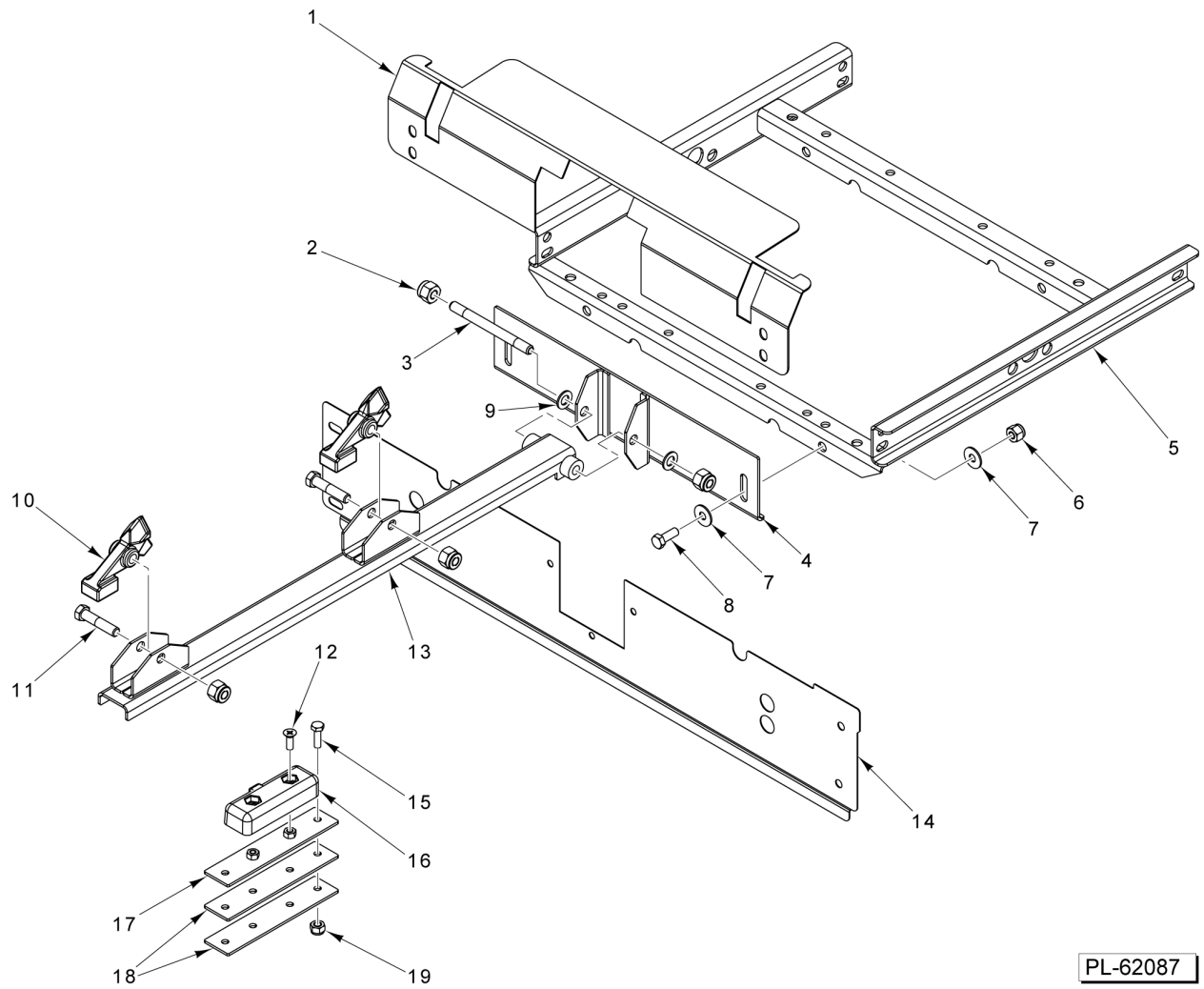
* (CL54eN has four of these plus their associated parts.)



CONVEYOR (CL64EN)

CONVEYOR (CL64EN)

ILLUS.	PART NO.	NAME OF PART	AMT.
PL-62086			
1	00-936586	Baffle - Rear Chamber.....	1
2	NS-015-11	Nut 5/16-18 Hex (SST).....	3
3	00-936252	Track - Back Support.....	1
4	SC-041-10	Cap Screw 5/16-18 x 5/8 Hex Hd. (SST).....	3
5	NS-036-19	Stop Nut 5/16-18 Hex Special (SST).....	AR
6	00-919831-00001	Track - Rack.....	1
7	SC-041-14	Cap Screw 5/16-18 x 1-1/8 Hex Hd. (SST).....	8
8	00-814928	Slider.....	4
9	NS-015-11	Nut 5/16-18 Hex (SST).....	4
10	SC-022-40	Mach. Screw 1/4-20 x 3/4 Phil. Flat Hd. (SST).....	2
11	SC-041-11	Cap Screw 5/16-18 x 3/4 Hex Hd. (SST).....	4
12	00-919704	Actuator Assy. - Pivot (Incls. Items 13 thru 16).....	1
13	00-936249	Shroud - Actuator.....	1
14	00-919703	Pivot - Rinse Actuator.....	1
15	00-936369	Pin - Pivot SLIC.....	1
16	WS-017-06	Washer (SST).....	2
17	00-936176	Baffle - Load.....	1
18	00-936250	Track - Support.....	1
19	00-919831-00001	Track - Rack.....	1
20	NS-047-82	Stop Nut 1/4-20 Hex (SST).....	2
21	WS-017-06	Washer (SST).....	2
22	WS-017-01	Washer 0.328 x 0.875 x 0.062 (SST).....	2
23	00-814641	Kit - Interlock Switch.....	1
24	NS-031-15	Stop Nut 10-24 Hex (SST).....	2
25	NS-046-09	Stop Nut 3/8-16 Hex (SST).....	8
26	00-270983	Spacer.....	8
27	00-436704-00002	Dog Pin (Front L-R; Rear R-L).....	4
28	WS-018-04	Washer (SST).....	8
29	SC-041-49	Cap Screw 3/8-16 x 1-3/8 Hex Hd. (SST).....	8
30	00-436704-00001	Dog Pin (Front R-L; Rear L-R).....	4
31	00-919002	Cradle.....	1
32	00-919907-00001	Dog Cradle Assy. (STD) (Incls. Items 25 thru 31).....	1
33	SC-041-05	Cap Screw 1/4-20 x 5/8 Hex Hd. (SST).....	2
34	WS-017-06	Washer (SST).....	2
35	NS-031-19	Stop Nut 1/4-20 Hex (SST).....	2
36	00-936569	Baffle - Water Return (R-L).....	1
37	00-936568	Baffle - Water Return (L-R).....	1
38	00-936593	Plate - Baffle Side (R-L).....	1
39	00-936570	Plate - Baffle Side (L-R).....	1
40	00-936185	Baffle - Rinse Area (Not Used On HTS eR Units).....	1

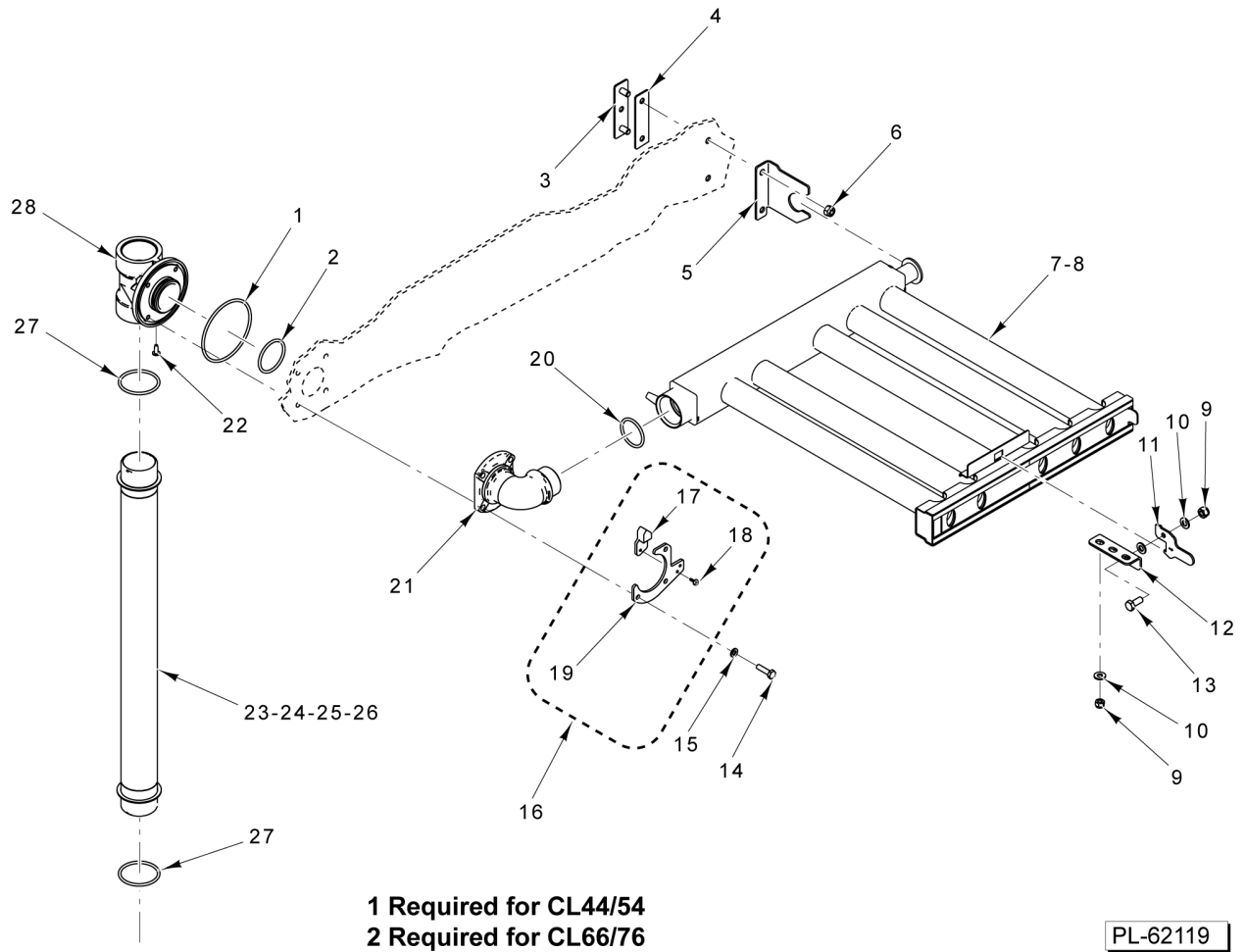


PL-62087

PAWL ASSEMBLY

PAWL ASSEMBLY

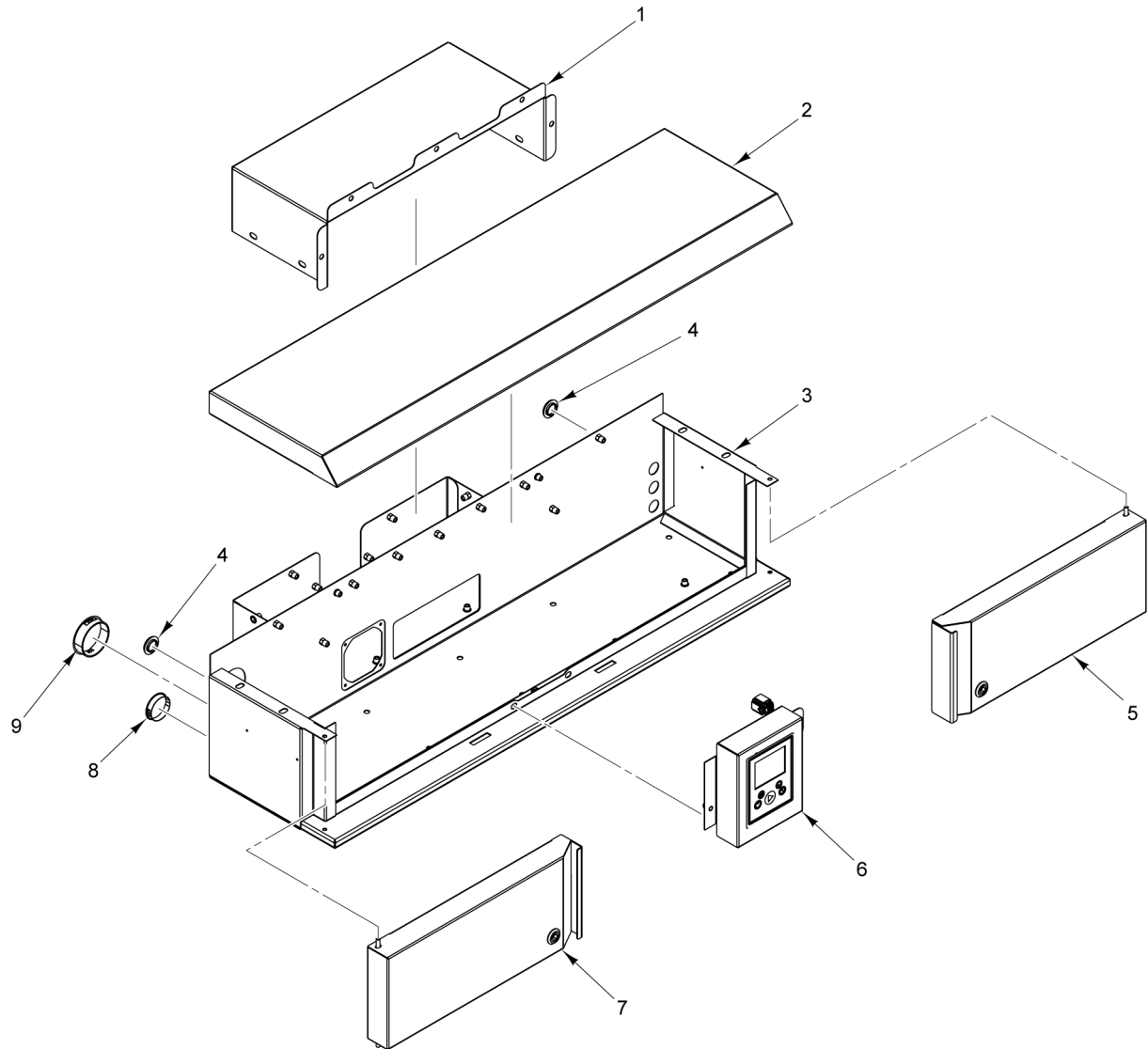
ILLUS.	PART NO.	NAME OF PART	AMT.
PL-62087			
1	00-814930	Baffle - Pawl Bar Load.....	1
2	NS-031-33	Stop Nut 3/8-16 Hex Elastic (SST).....	4
3	00-107941	Stud - Roller.....	1
4	00-814926	Weldment - Push Plate.....	1
5	00-936811	Cradle - Blower Dryer.....	1
6	NS-031-27	Stop Nut 5/16-18 Hex Elastic.....	2
7	WS-017-01	Washer 0.328 x 0.875 x 0.062 (SST).....	4
8	SC-041-12	Cap Screw 5/16-18 x 7/8 Hex Hd. (SST).....	2
9	WS-006-27	Washer (SST).....	2
10	00-112377	Dog.....	1
11	SC-041-33	Cap Screw 3/8-16 x 1-3/4 Hex Hd. (SST).....	2
12	SC-022-40	Mach. Screw 1/4-20 x 3/4 Phil. Flat Hd. (SST).....	2
13	00-814923	Weldment - Pawl Bar.....	1
14	00-814931	Trim - Pawl Bar Tank End.....	1
15	SC-109-47	Cap Screw 1/4-20 x 7/8 Hex Hd. (SST).....	2
16	00-814928	Slider.....	1
17	00-814929-00002	Plate - Mount.....	1
18	00-814929-00001	Spacer - Plate.....	AR
19	NS-031-19	Stop Nut 1/4-20 Hex (SST).....	2



WASH UPPER WASH ARM (CL44/CL54/CL66/CL76)

WASH UPPER WASH ARM (CL44/CL54/CL66/CL76)

ILLUS.	PART NO.	NAME OF PART	AMT.
PL-62119			
1	00-067500-00132	O-Ring.....	1
2	00-067500-00019	O-Ring.....	1
3	00-936202	Plate - Mounting.....	1
4	00-814592	Gasket - Mounting Plate.....	1
5	00-919931	Bracket - Guide (Wash Arm).....	1
6	NS-036-19	Stop Nut 5/16-18 Hex Special (SST).....	2
7	00-563419-00001	Arm - Upper Wash (R-L) (CL44/54/66/76).....	1
8	00-563419-00002	Arm - Upper Wash (L-R) (CL44/54/66/76).....	1
9	NS-047-82	Stop Nut 1/4-20 Hex (SST).....	4
10	WS-017-06	Washer (SST).....	5
11	00-919378	Latch.....	1
12	00-919379	Bracket - Latch.....	1
13	SC-041-01	Cap Screw 1/4-20 x 3/4 Hex Hd. (SST).....	1
14	SC-041-02	Cap Screw 1/4-20 x 1 Hex Hd. (SST).....	4
15	WL-006-17	Lockwasher 1/4 Helical (SST).....	4
16	00-936222	Cam Plate Assy. (Incls. Items 21, 22, & 23).....	1
17	00-936166	Block - Wear.....	1
18	00-893777-00001	Self-Tapping Screw (Thread Forming).....	2
19	00-936168	Plate - Adjuster.....	1
20	00-067500-00014	O-Ring.....	1
21	00-919926	Manifold - Elbow.....	1
22	SD-038-84	Self-Tapping Screw 10-24 x 1/2 Phil. Truss Hd., Type F (SST).....	1
23	00-936020-00001	Tube - Wash Feed (Upper) (STD) (L-R).....	1
24	00-936020-00002	Tube - Wash Feed (Upper) (HTS) (L-R).....	1
25	00-936021-00001	Tube - Wash Feed (Offset) (STD) (R-L).....	1
26	00-936021-00002	Tube - Wash Feed (Offset) (HTS) (R-L).....	1
27	00-067500-00057	O-Ring.....	2
28	00-919663-00001	Manifold - Elbow.....	1

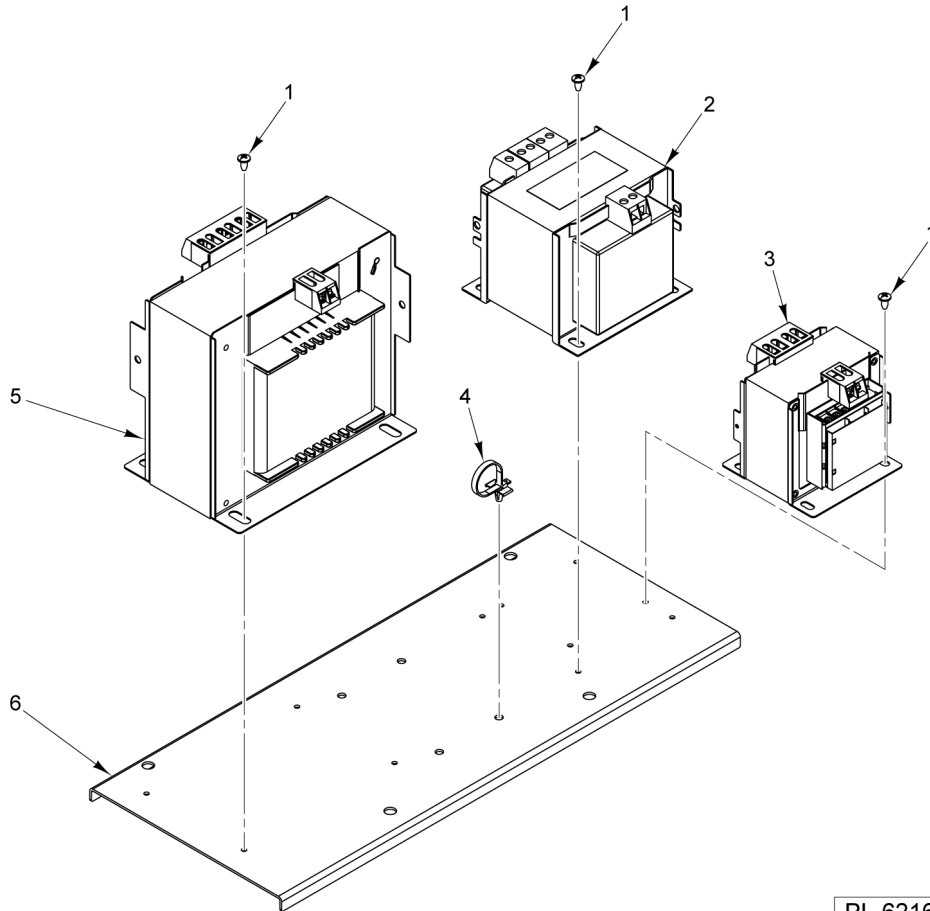


PL-62159

CONTROL BOX

CONTROL BOX

ILLUS.	PART NO.	NAME OF PART	AMT.
PL-62159			
1	01-605203	Cover - Control Box.....	1
2	01-605066-00001	Panel Assy. - Control Box (Top).....	1
3	01-605001	Control Box Assy.....	1
4	PB-005-43	Plug.....	6
5	01-605009-00002	Door - Control Box (RH).....	1
6	01-605007	Control Assy.....	1
7	01-605009-00001	Door - Control Box (LH).....	1
8	PB-005-20	Plug.....	2
9	PB-005-18	Plug.....	1

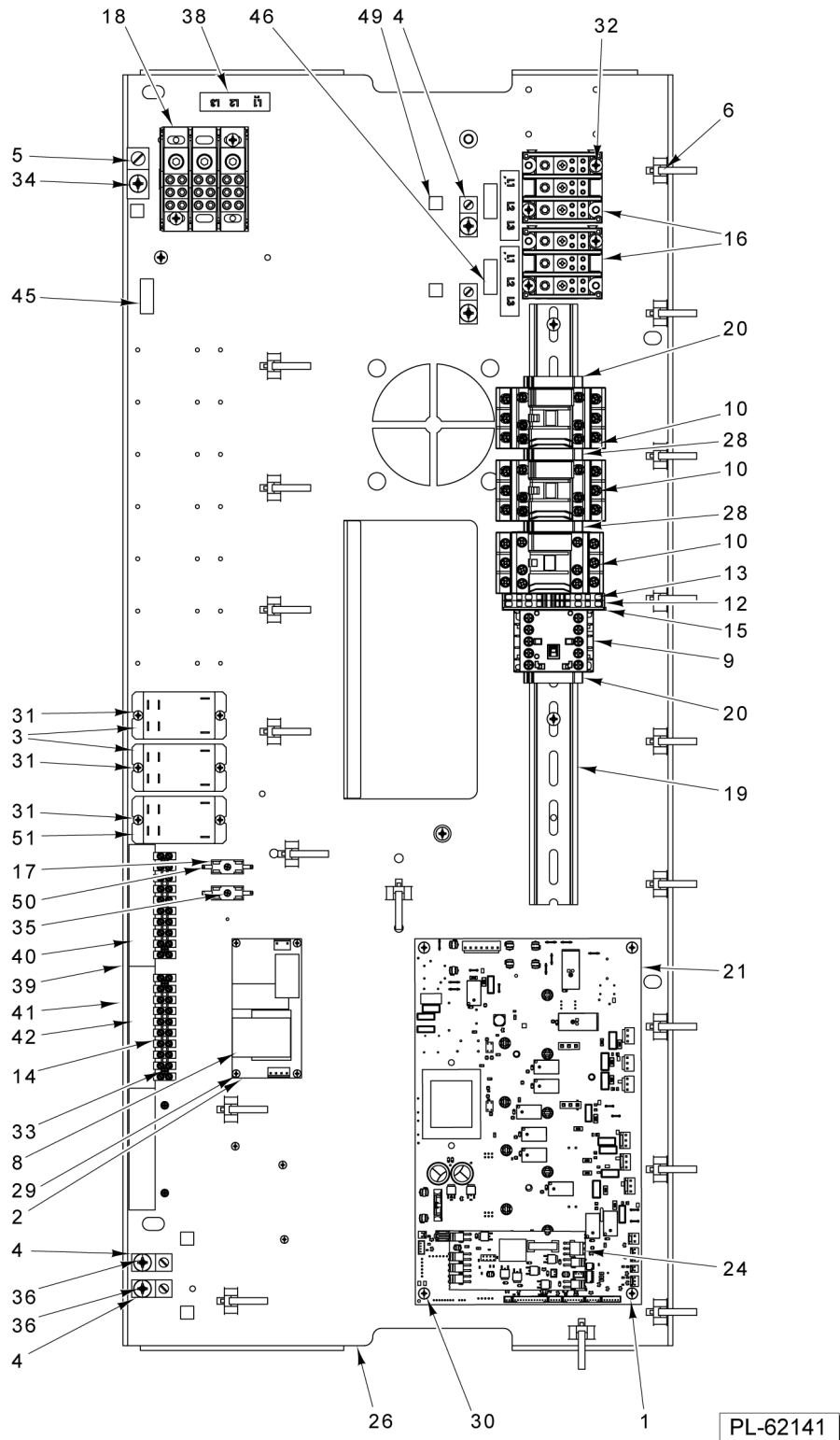


PL-62161

TRANSFORMER BASEPLATE

TRANSFORMER BASEPLATE

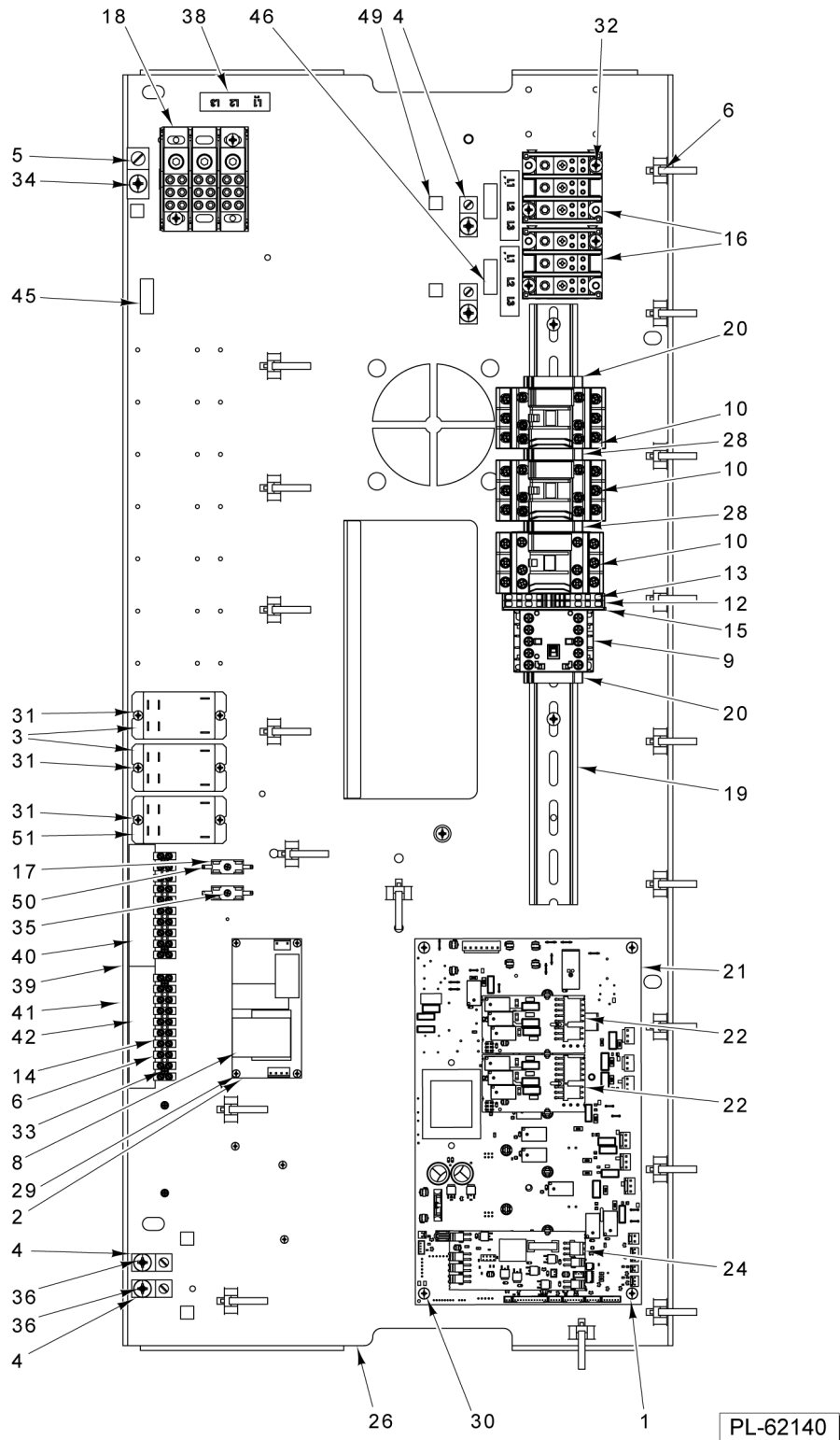
ILLUS.	PART NO.	NAME OF PART	AMT.
1	SD-019-23	Self-Tapping Screw 10-16 x 3/8 Phil. Pan Hd., Type B.....	AR
2	00-562632	Transformer (500 VA).....	1
3	01-605134	Transformer (150 VA, 208/240/480-120V).....	1
4	00-444428	Tie - Cable Releasable.....	4
5	01-605135	Transformer (1250 VA, 400/480/600V).....	1
6	01-605205	Baseplate.....	1



**BASEPLATE COMPONENTS
(CL44E/54E) (BASE)**

**BASEPLATE COMPONENTS
(CL44E/54E) (BASE)**

ILLUS. PL-62141	PART NO.	NAME OF PART	AMT.
1	00-047080-00011	Standoff #8-32 x 5/16.....	7
2	00-047080-00024	Standoff #4-40 x 1/2.....	4
3	00-087714-042-5	Relay (2-Pole, 30 Amp.).....	2
4	00-118544-00002	Lug - Grounding.....	4
5	00-118544-00003	Lug - Solderless.....	1
6	00-444428	Tie - Cable Releasable.....	AR
7	00-562526	Support - Control.....	1
8	00-562538-00004	Power Supply.....	1
9	00-562597-00002	Contact (20 Amp.).....	1
10	00-562597-00005	Contact (120 V., 50/60 Hz., 50 Amp.).....	3
12	00-562720-00001	Block - Terminal (2 CON) (Black).....	1
13	00-562720-00002	Block - Terminal (2 CON) (Red).....	1
14	00-562890	Block - Terminal (20 Amp.) (10 Pole).....	2
15	00-562892	Plate - End.....	1
16	00-562894	Block - Terminal (3-Pole).....	2
17	00-563724	Holder - Fuse.....	2
18	00-949047	Block - Terminal (175 Amp.).....	1
19	00-949145-00008	Rail - Din.....	1
20	00-949805-00002	Stop - End.....	2
21	00-975430-00001	Board - Control.....	1
24	00-975433	Board (Daughter).....	1
26	01-605011	Baseplate.....	1
27	01-605137	Block - Terminal (3-Pole) (380 Amp.).....	AR
28	01-605275	Spacer.....	2
29	SC-125-30	Mach. Screw 4-40 x 3/8 Phil. Pan Hd. (SST).....	4
30	SC-129-33	Mach. Screw 8-32 x 3/8 Phil. Pan Hd.....	4
31	SD-015-38	Self-Tapping Screw 6-32 x 3/8 Phil. Pan Hd., Type TT.....	6
32	SD-019-23	Self-Tapping Screw 10-16 x 3/8 Phil. Pan Hd., Type B.....	9
33	SD-019-30	Self-Tapping Screw 4-24 x 5/8 Phil. Pan Hd., Type B.....	4
34	SD-035-77	Self-Tapping Screw 1/4-20 x 3/8 Phil. Pan Hd., Type TT.....	5
35	SD-040-07	Self-Tapping Screw 2-32 x 5/16.....	2
36	WL-007-15	Lockwasher 1/4 External Shakeproof.....	5
38	0F-011511	Label (L1, L2, L3).....	3
39	0F-041215	Label (TB5).....	1
40	0F-041149	Label (TB5 Connections).....	1
41	0F-041289	Label (TB6).....	1
42	0F-041277	Label (TB6 Connections).....	1
45	0F-041211	Label (TB1).....	1
46	0F-041212	Label (TB2).....	1
48	0F-041291	Label (TB8).....	1
49	0F-011613	Label - Ground.....	5
50	FE-027-41	Fuse (4 Amp.).....	2
51	00-087714-042-3	Relay (2-Pole) (240 VAC).....	1

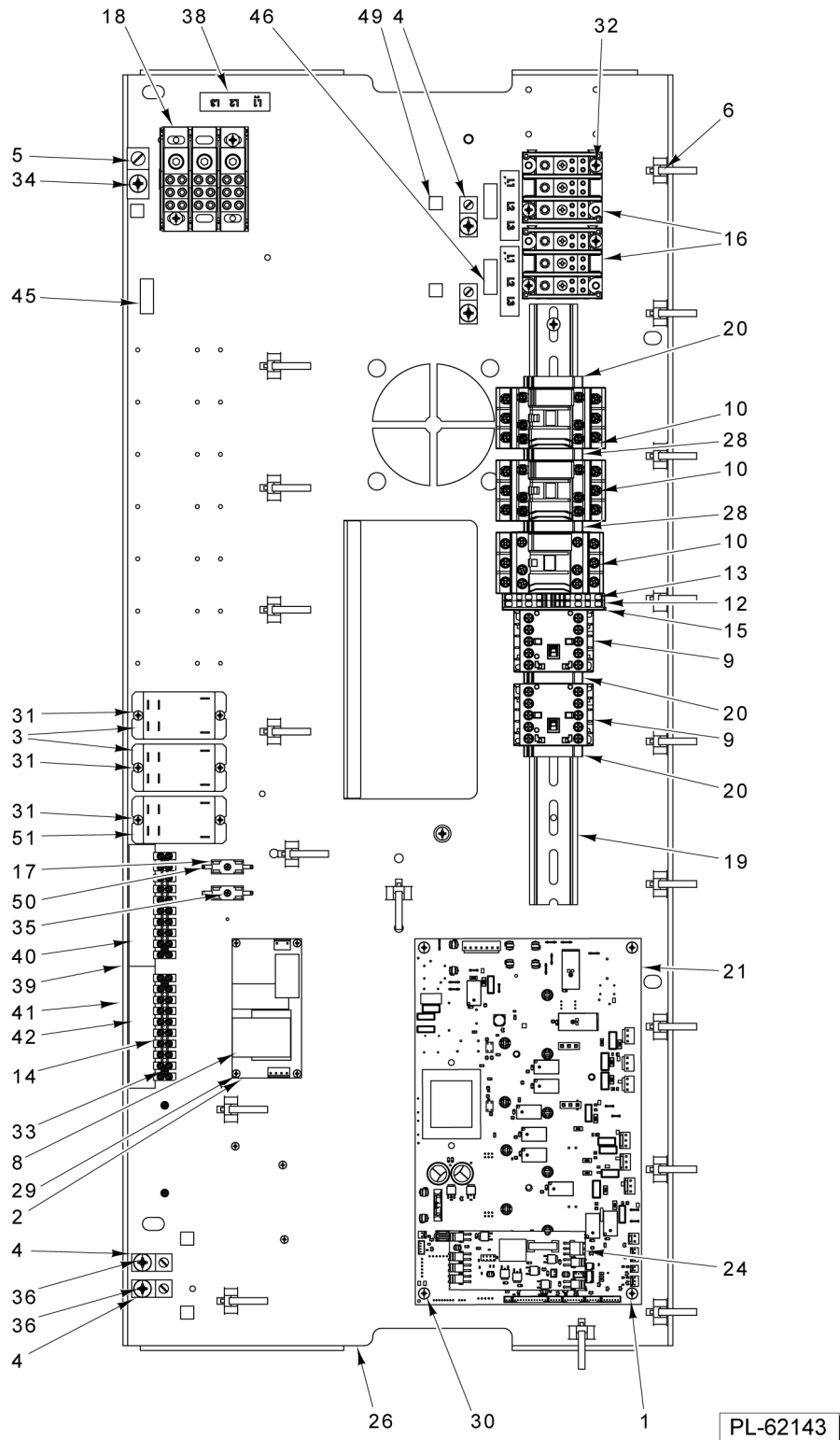


PL-62140

**BASEPLATE COMPONENTS
(CL44E/54E) (DWR/ADV)**

**BASEPLATE COMPONENTS
(CL44E/54E) (DWR/ADV)**

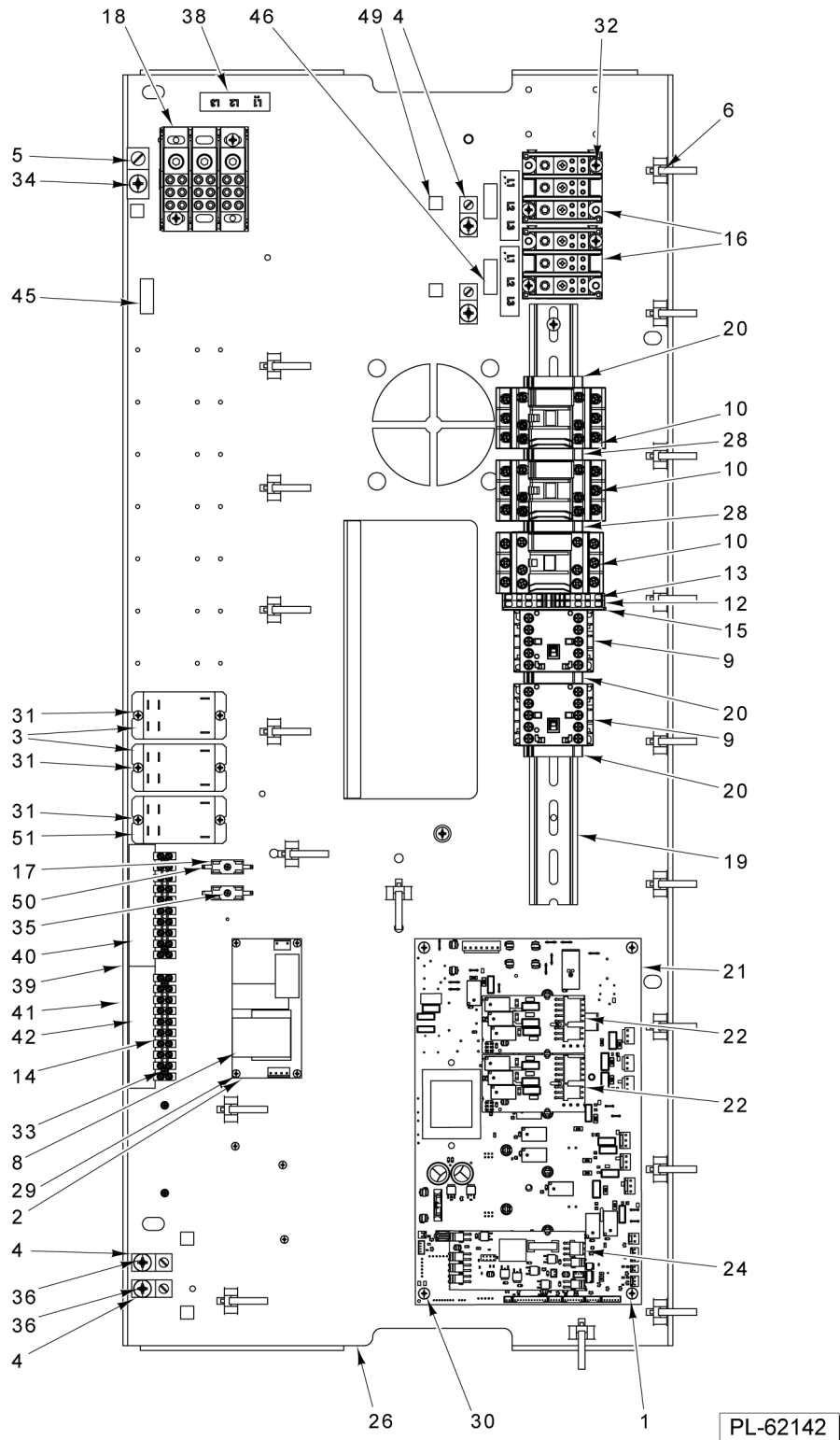
ILLUS.	PART NO.	NAME OF PART	AMT.
PL-62140			
1	00-047080-00011	Standoff #8-32 x 5/16.....	7
2	00-047080-00024	Standoff #4-40 x 1/2.....	4
3	00-087714-042-5	Relay (2-Pole, 30 Amp.).....	2
4	00-118544-00002	Lug - Grounding.....	4
5	00-118544-00003	Lug - Solderless.....	1
6	00-444428	Tie - Cable Releasable.....	AR
7	00-562526	Support - Control.....	1
8	00-562538-00004	Power Supply.....	1
9	00-562597-00002	Contacto (20 Amp.).....	1
10	00-562597-00005	Contacto (120 V., 50/60 Hz., 50 Amp.).....	3
12	00-562720-00001	Block - Terminal (2 CON) (Black).....	1
13	00-562720-00002	Block - Terminal (2 CON) (Red).....	1
14	00-562890	Block - Terminal (20 Amp.) (10 Pole).....	2
15	00-562892	Plate - End.....	1
16	00-562894	Block - Terminal (3-Pole).....	2
17	00-563724	Holder - Fuse.....	2
18	00-949047	Block - Terminal (175 Amp.).....	1
19	00-949145-00008	Rail - Din.....	1
20	00-949805-00002	Stop - End.....	2
21	00-975430-00001	Board - Control.....	1
22	00-975431	Board (Daughter).....	2
24	00-975433	Board (Daughter).....	1
26	01-605011	Baseplate.....	1
28	01-605275	Spacer.....	2
29	SC-125-30	Mach. Screw 4-40 x 3/8 Phil. Pan Hd. (SST).....	4
30	SC-129-33	Mach. Screw 8-32 x 3/8 Phil. Pan Hd.....	4
31	SD-015-38	Self-Tapping Screw 6-32 x 3/8 Phil. Pan Hd., Type TT.....	6
32	SD-019-23	Self-Tapping Screw 10-16 x 3/8 Phil. Pan Hd., Type B.....	9
33	SD-019-30	Self-Tapping Screw 4-24 x 5/8 Phil. Pan Hd., Type B.....	4
34	SD-035-77	Self-Tapping Screw 1/4-20 x 3/8 Phil. Pan Hd., Type TT.....	5
35	SD-040-07	Self-Tapping Screw 2-32 x 5/16.....	2
36	WL-007-15	Lockwasher 1/4 External Shakeproof.....	5
38	0F-011511	Label (L1, L2, L3).....	3
39	0F-041215	Label (TB5).....	1
40	0F-041149	Label (TB5 Connections).....	1
41	0F-041289	Label (TB6).....	1
42	0F-041277	Label (TB6 Connections).....	1
45	0F-041211	Label (TB1).....	1
46	0F-041212	Label (TB2).....	1
48	0F-041291	Label (TB8).....	1
49	0F-011613	Label - Ground.....	5
50	FE-027-41	Fuse (4 Amp.).....	2
51	00-087714-042-3	Relay (2-Pole) (240 VAC).....	1



**BASEPLATE COMPONENTS
(CL66E/76E) (BASE)**

**BASEPLATE COMPONENTS
(CL66E/76E) (BASE)**

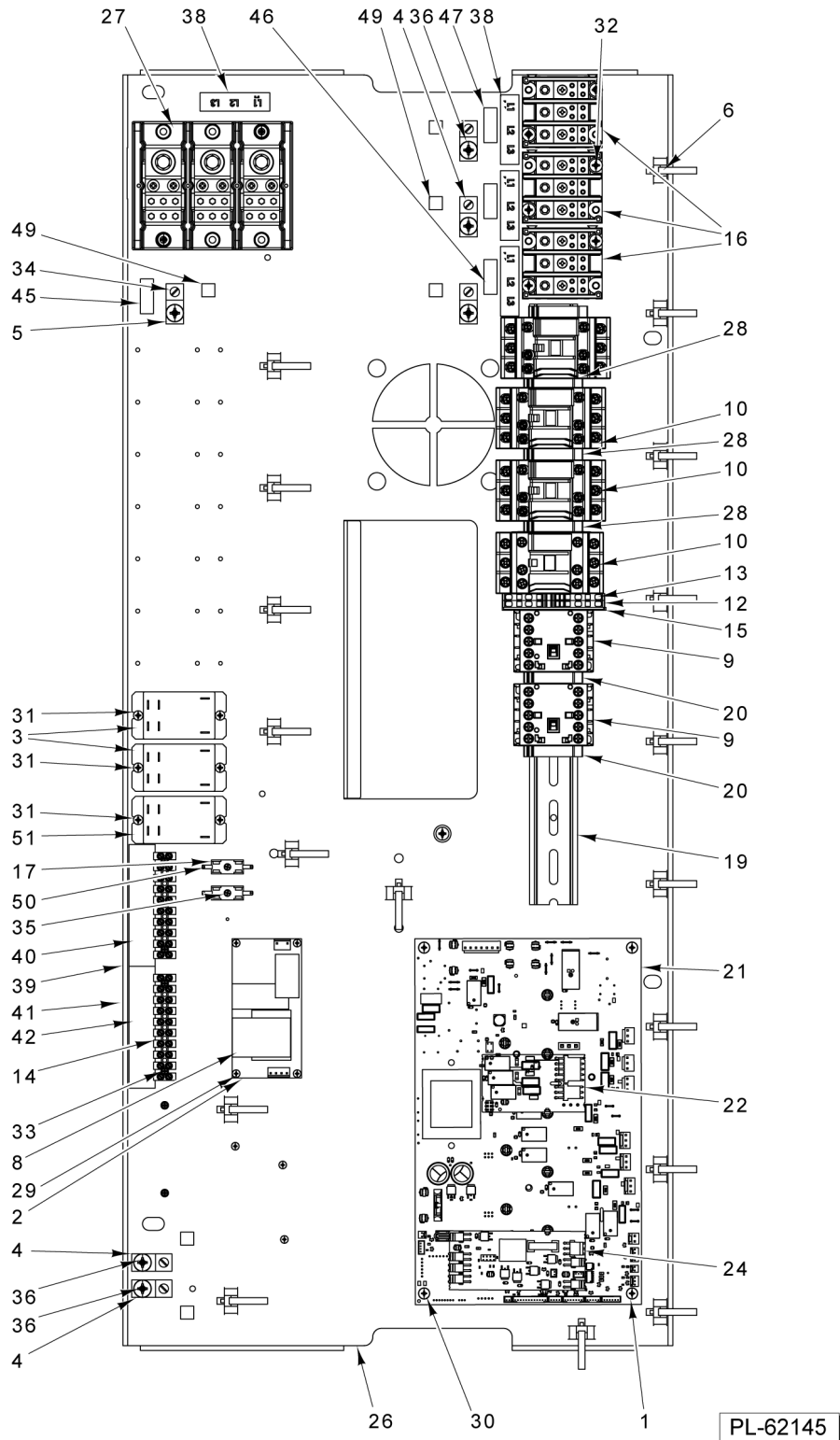
ILLUS. PL-62143	PART NO.	NAME OF PART	AMT.
1	00-047080-00011	Standoff #8-32 x 5/16.....	7
2	00-047080-00024	Standoff #4-40 x 1/2.....	4
3	00-087714-042-5	Relay (2-Pole, 30 Amp.).....	2
4	00-118544-00002	Lug - Grounding.....	4
5	00-118544-00003	Lug - Solderless.....	1
6	00-444428	Tie - Cable Releasable.....	AR
7	00-562526	Support - Control.....	1
8	00-562538-00004	Power Supply.....	1
9	00-562597-00002	Contactactor (20 Amp.).....	2
10	00-562597-00005	Contactactor (120 V., 50/60 Hz., 50 Amp.).....	3
12	00-562720-00001	Block - Terminal (2 CON) (Black).....	1
13	00-562720-00002	Block - Terminal (2 CON) (Red).....	1
14	00-562890	Block - Terminal (20 Amp.) (10 Pole).....	2
15	00-562892	Plate - End.....	1
16	00-562894	Block - Terminal (3-Pole).....	2
17	00-563724	Holder - Fuse.....	2
18	00-949047	Block - Terminal (175 Amp.).....	1
19	00-949145-00008	Rail - Din.....	1
20	00-949805-00002	Stop - End.....	2
21	00-975430-00001	Board - Control.....	1
24	00-975433	Board (Daughter).....	1
26	01-605011	Baseplate.....	1
28	01-605275	Spacer.....	3
29	SC-125-30	Mach. Screw 4-40 x 3/8 Phil. Pan Hd. (SST).....	4
30	SC-129-33	Mach. Screw 8-32 x 3/8 Phil. Pan Hd.....	4
31	SD-015-38	Self-Tapping Screw 6-32 x 3/8 Phil. Pan Hd., Type TT.....	6
32	SD-019-23	Self-Tapping Screw 10-16 x 3/8 Phil. Pan Hd., Type B.....	9
33	SD-019-30	Self-Tapping Screw 4-24 x 5/8 Phil. Pan Hd., Type B.....	4
34	SD-035-77	Self-Tapping Screw 1/4-20 x 3/8 Phil. Pan Hd., Type TT.....	5
35	SD-040-07	Self-Tapping Screw 2-32 x 5/16.....	2
36	WL-007-15	Lockwasher 1/4 External Shakeproof.....	5
38	0F-011511	Label (L1, L2, L3).....	3
39	0F-041215	Label (TB5).....	1
40	0F-041149	Label (TB5 Connections).....	1
41	0F-041289	Label (TB6).....	1
42	0F-041277	Label (TB6 Connections).....	1
45	0F-041211	Label (TB1).....	1
46	0F-041212	Label (TB2).....	1
48	0F-041291	Label (TB8).....	1
49	0F-011613	Label - Ground.....	5
50	FE-027-41	Fuse (4 Amp.).....	2
51	00-087714-042-3	Relay (2-Pole) (240 VAC).....	1



**BASEPLATE COMPONENTS
(CL66E/76E) (DWR/ADV)**

**BASEPLATE COMPONENTS
(CL66E/76E) (DWR/ADV)**

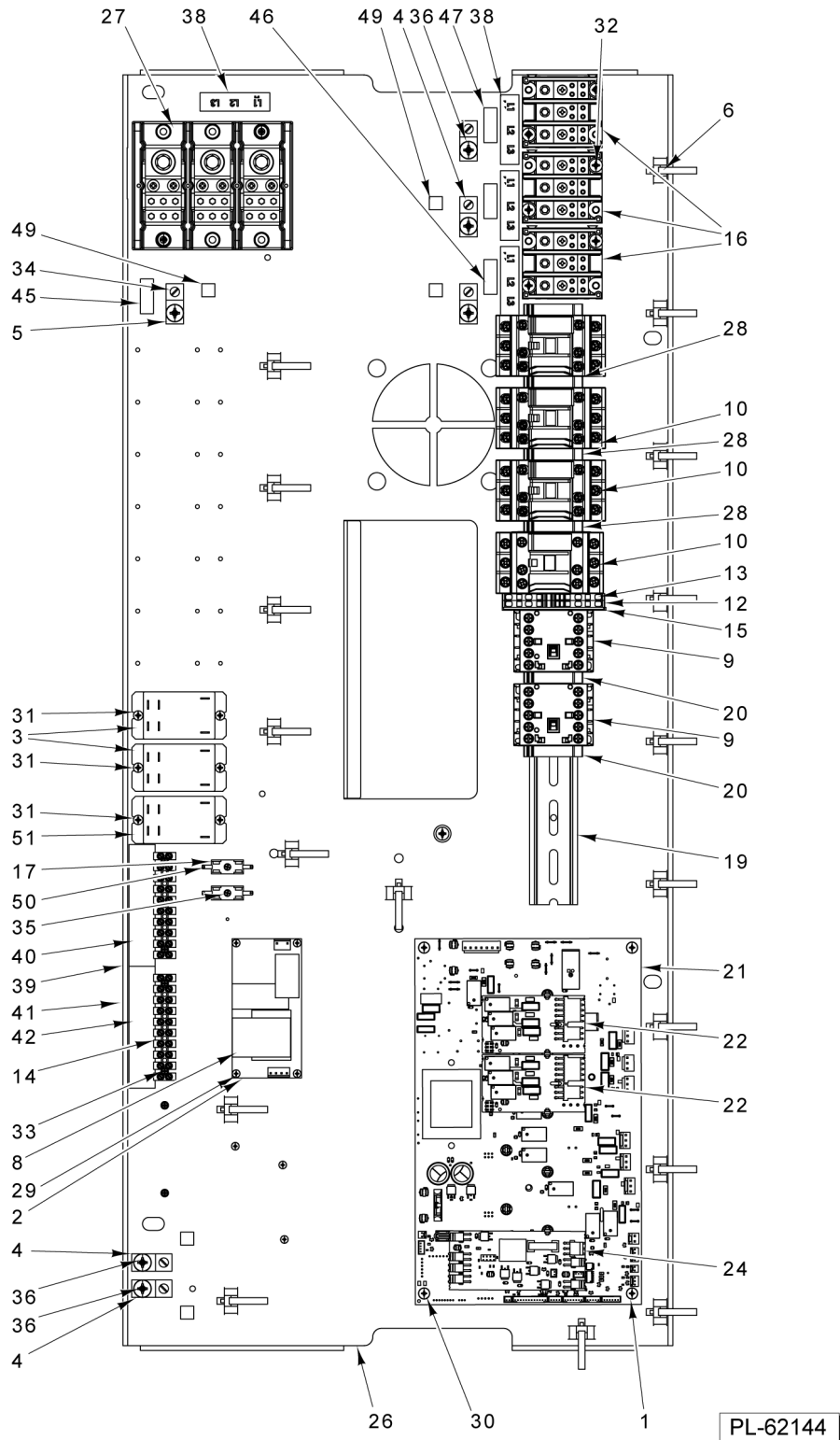
ILLUS. PL-62142	PART NO.	NAME OF PART	AMT.
1	00-047080-00011	Standoff #8-32 x 5/16.....	7
2	00-047080-00024	Standoff #4-40 x 1/2.....	4
3	00-087714-042-5	Relay (2-Pole, 30 Amp.).....	2
4	00-118544-00002	Lug - Grounding.....	4
5	00-118544-00003	Lug - Solderless.....	1
6	00-444428	Tie - Cable Releasable.....	AR
7	00-562526	Support - Control.....	1
8	00-562538-00004	Power Supply.....	1
9	00-562597-00002	Contactora (20 Amp.).....	2
10	00-562597-00005	Contactora (120 V., 50/60 Hz., 50 Amp.).....	3
12	00-562720-00001	Block - Terminal (2 CON) (Black).....	1
13	00-562720-00002	Block - Terminal (2 CON) (Red).....	1
14	00-562890	Block - Terminal (20 Amp.) (10 Pole).....	2
15	00-562892	Plate - End.....	1
16	00-562894	Block - Terminal (3-Pole).....	2
17	00-563724	Holder - Fuse.....	2
18	00-949047	Block - Terminal (175 Amp.).....	1
19	00-949145-00008	Rail - Din.....	1
20	00-949805-00002	Stop - End.....	2
21	00-975430-00001	Board - Control.....	1
22	00-975431	Board (Daughter).....	2
24	00-975433	Board (Daughter).....	1
26	01-605011	Baseplate.....	1
28	01-605275	Spacer.....	3
29	SC-125-30	Mach. Screw 4-40 x 3/8 Phil. Pan Hd. (SST).....	4
30	SC-129-33	Mach. Screw 8-32 x 3/8 Phil. Pan Hd.....	4
31	SD-015-38	Self-Tapping Screw 6-32 x 3/8 Phil. Pan Hd., Type TT.....	6
32	SD-019-23	Self-Tapping Screw 10-16 x 3/8 Phil. Pan Hd., Type B.....	9
33	SD-019-30	Self-Tapping Screw 4-24 x 5/8 Phil. Pan Hd., Type B.....	4
34	SD-035-77	Self-Tapping Screw 1/4-20 x 3/8 Phil. Pan Hd., Type TT.....	5
35	SD-040-07	Self-Tapping Screw 2-32 x 5/16.....	2
36	WL-007-15	Lockwasher 1/4 External Shakeproof.....	5
38	0F-011511	Label (L1, L2, L3).....	3
39	0F-041215	Label (TB5).....	1
40	0F-041149	Label (TB5 Connections).....	1
41	0F-041289	Label (TB6).....	1
42	0F-041277	Label (TB6 Connections).....	1
45	0F-041211	Label (TB1).....	1
46	0F-041212	Label (TB2).....	1
47	0F-041213	Label (TB3).....	AR
48	0F-041291	Label (TB8).....	1
49	0F-011613	Label - Ground.....	5
50	FE-027-41	Fuse (4 Amp.).....	2
51	00-087714-042-3	Relay (2-Pole) (240 VAC).....	1



**BASEPLATE COMPONENTS
(CL64E) (BASE)**

**BASEPLATE COMPONENTS
(CL64E) (BASE)**

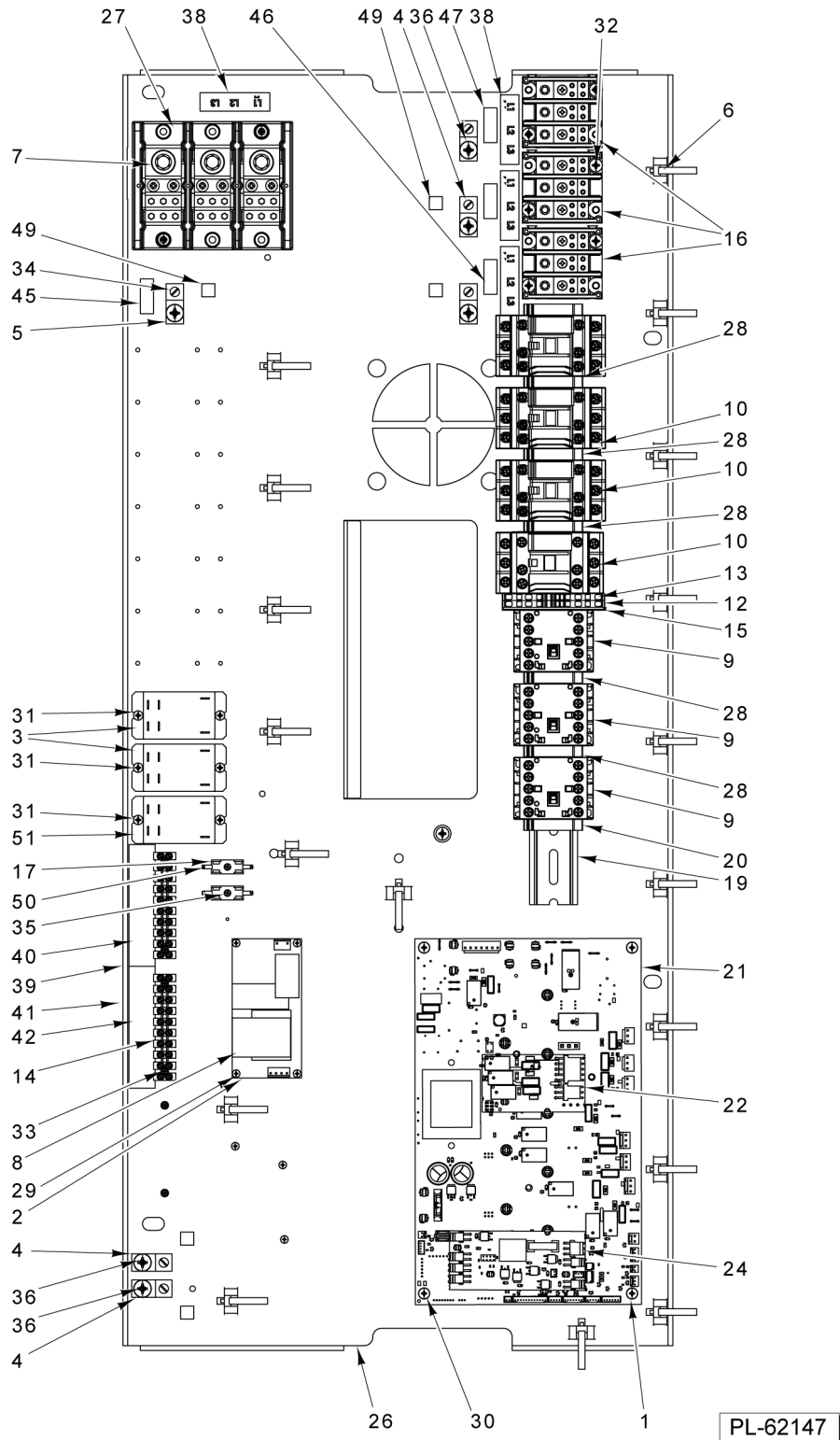
ILLUS. PL-62145	PART NO.	NAME OF PART	AMT.
1	00-047080-00011	Standoff #8-32 x 5/16.....	7
2	00-047080-00024	Standoff #4-40 x 1/2.....	4
3	00-087714-042-5	Relay (2-Pole, 30 Amp.).....	2
4	00-118544-00002	Lug - Grounding.....	5
5	00-118544-00003	Lug - Solderless.....	1
6	00-444428	Tie - Cable Releasable.....	AR
7	00-562526	Support - Control.....	1
8	00-562538-00004	Power Supply.....	1
9	00-562597-00002	Contactora (20 Amp.).....	2
10	00-562597-00005	Contactora (120 V., 50/60 Hz., 50 Amp.).....	4
12	00-562720-00001	Block - Terminal (2 CON) (Black).....	1
13	00-562720-00002	Block - Terminal (2 CON) (Red).....	1
14	00-562890	Block - Terminal (20 Amp.) (10 Pole).....	2
15	00-562892	Plate - End.....	1
16	00-562894	Block - Terminal (3-Pole).....	3
17	00-563724	Holder - Fuse.....	2
19	00-949145-00008	Rail - Din.....	1
20	00-949805-00002	Stop - End.....	2
21	00-975430-00001	Board - Control.....	1
22	00-975431	Board (Daughter).....	1
24	00-975433	Board (Daughter).....	1
26	01-605011	Baseplate.....	1
27	01-605137	Block - Terminal (3-Pole) (380 Amp.).....	1
28	01-605275	Spacer.....	3
29	SC-125-30	Mach. Screw 4-40 x 3/8 Phil. Pan Hd. (SST).....	4
30	SC-129-33	Mach. Screw 8-32 x 3/8 Phil. Pan Hd.....	4
31	SD-015-38	Self-Tapping Screw 6-32 x 3/8 Phil. Pan Hd., Type TT.....	6
32	SD-019-23	Self-Tapping Screw 10-16 x 3/8 Phil. Pan Hd., Type B.....	9
33	SD-019-30	Self-Tapping Screw 4-24 x 5/8 Phil. Pan Hd., Type B.....	4
34	SD-035-77	Self-Tapping Screw 1/4-20 x 3/8 Phil. Pan Hd., Type TT.....	5
35	SD-040-07	Self-Tapping Screw 2-32 x 5/16.....	2
36	WL-007-15	Lockwasher 1/4 External Shakeproof.....	5
38	0F-011511	Label (L1, L2, L3).....	4
39	0F-041215	Label (TB5).....	1
40	0F-041149	Label (TB5 Connections).....	1
41	0F-041289	Label (TB6).....	1
42	0F-041277	Label (TB6 Connections).....	1
45	0F-041211	Label (TB1).....	1
46	0F-041212	Label (TB2).....	1
47	0F-041213	Label (TB3).....	AR
48	0F-041291	Label (TB8).....	1
49	0F-011613	Label - Ground.....	6
50	FE-027-41	Fuse (4 Amp.).....	2
51	00-087714-042-3	Relay (2-Pole) (240 VAC).....	1



**BASEPLATE COMPONENTS
(CL64E) (DWR/ADV)**

**BASEPLATE COMPONENTS
(CL64E) (DWR/ADV)**

ILLUS. PL-62144	PART NO.	NAME OF PART	AMT.
1	00-047080-00011	Standoff #8-32 x 5/16.....	7
2	00-047080-00024	Standoff #4-40 x 1/2.....	4
3	00-087714-042-5	Relay (2-Pole, 30 Amp.).....	2
4	00-118544-00002	Lug - Grounding.....	5
5	00-118544-00003	Lug - Solderless.....	1
6	00-444428	Tie - Cable Releasable.....	AR
7	00-562526	Support - Control.....	1
8	00-562538-00004	Power Supply.....	1
9	00-562597-00002	Contactactor (20 Amp.).....	2
10	00-562597-00005	Contactactor (120 V., 50/60 Hz., 50 Amp.).....	4
12	00-562720-00001	Block - Terminal (2 CON) (Black).....	1
13	00-562720-00002	Block - Terminal (2 CON) (Red).....	1
14	00-562890	Block - Terminal (20 Amp.) (10 Pole).....	2
15	00-562892	Plate - End.....	1
16	00-562894	Block - Terminal (3-Pole).....	3
17	00-563724	Holder - Fuse.....	2
19	00-949145-00008	Rail - Din.....	1
20	00-949805-00002	Stop - End.....	2
21	00-975430-00001	Board - Control.....	1
22	00-975431	Board (Daughter).....	2
24	00-975433	Board (Daughter).....	1
26	01-605011	Baseplate.....	1
27	01-605137	Block - Terminal (3-Pole) (380 Amp.).....	1
28	01-605275	Spacer.....	3
29	SC-125-30	Mach. Screw 4-40 x 3/8 Phil. Pan Hd. (SST).....	4
30	SC-129-33	Mach. Screw 8-32 x 3/8 Phil. Pan Hd.....	4
31	SD-015-38	Self-Tapping Screw 6-32 x 3/8 Phil. Pan Hd., Type TT.....	6
32	SD-019-23	Self-Tapping Screw 10-16 x 3/8 Phil. Pan Hd., Type B.....	9
33	SD-019-30	Self-Tapping Screw 4-24 x 5/8 Phil. Pan Hd., Type B.....	4
34	SD-035-77	Self-Tapping Screw 1/4-20 x 3/8 Phil. Pan Hd., Type TT.....	5
35	SD-040-07	Self-Tapping Screw 2-32 x 5/16.....	2
36	WL-007-15	Lockwasher 1/4 External Shakeproof.....	5
38	0F-011511	Label (L1, L2, L3).....	4
39	0F-041215	Label (TB5).....	1
40	0F-041149	Label (TB5 Connections).....	1
41	0F-041289	Label (TB6).....	1
42	0F-041277	Label (TB6 Connections).....	1
45	0F-041211	Label (TB1).....	1
46	0F-041212	Label (TB2).....	1
47	0F-041213	Label (TB3).....	1
48	0F-041291	Label (TB8).....	1
49	0F-011613	Label - Ground.....	6
50	FE-027-41	Fuse (4 Amp.).....	2
51	00-087714-042-3	Relay (2-Pole) (240 VAC).....	1

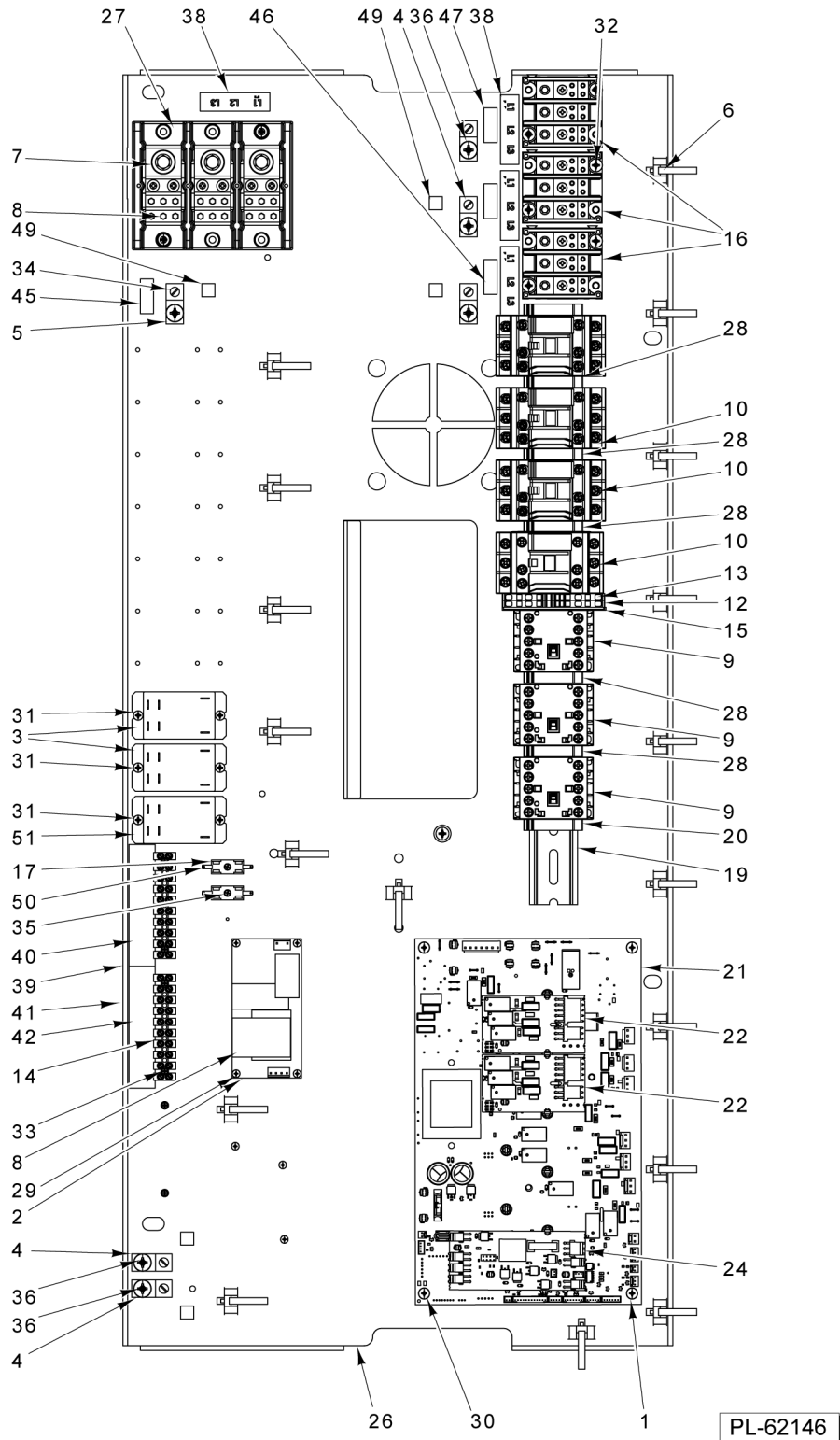


PL-62147

**BASEPLATE COMPONENTS
(CL86E) (BASE)**

**BASEPLATE COMPONENTS
(CL86E) (BASE)**

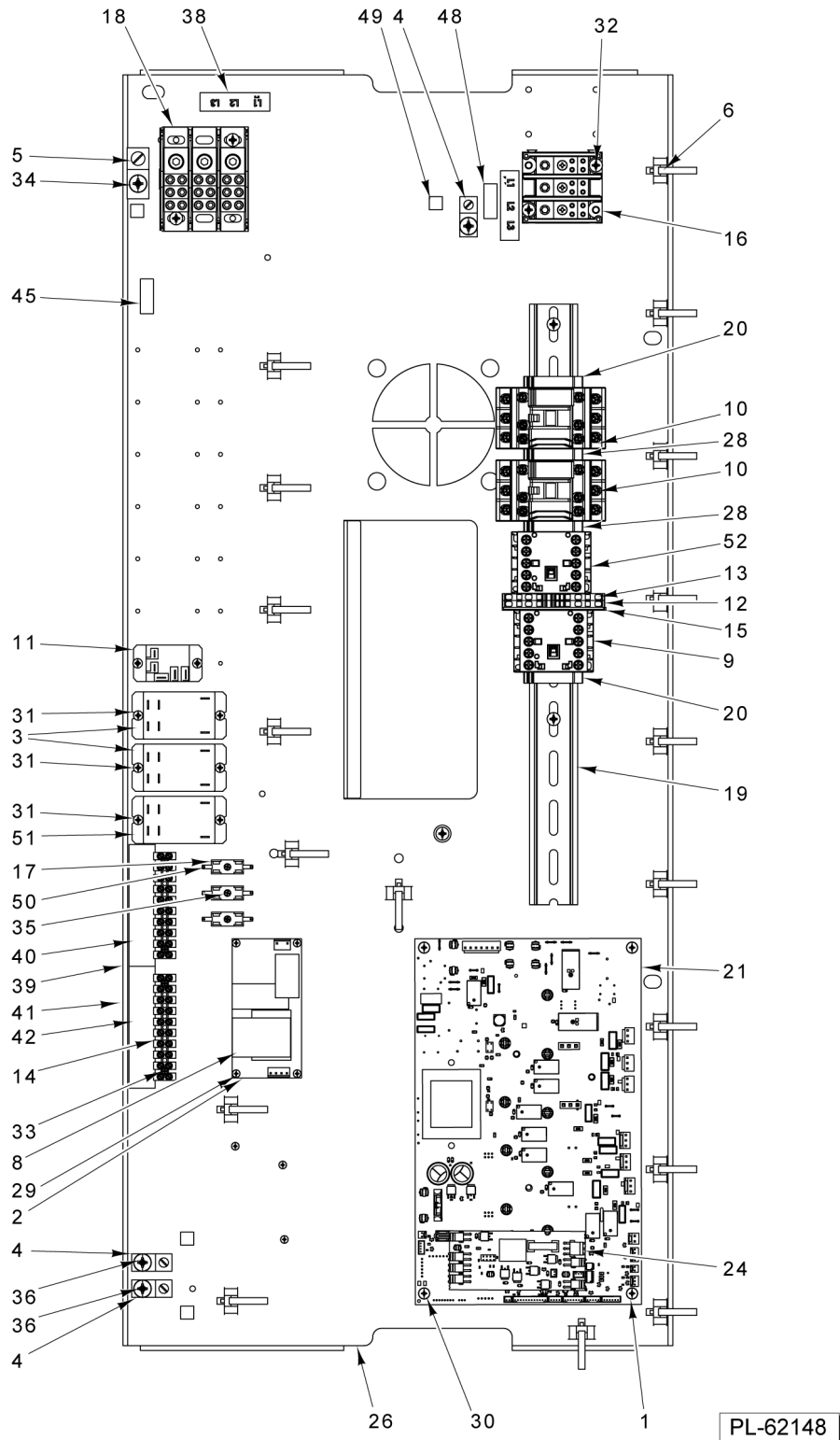
ILLUS. PL-62147	PART NO.	NAME OF PART	AMT.
1	00-047080-00011	Standoff #8-32 x 5/16.....	7
2	00-047080-00024	Standoff #4-40 x 1/2.....	4
3	00-087714-042-5	Relay (2-Pole, 30 Amp.).....	2
4	00-118544-00002	Lug - Grounding.....	5
5	00-118544-00003	Lug - Solderless.....	1
6	00-444428	Tie - Cable Releasable.....	AR
7	00-562526	Support - Control.....	1
8	00-562538-00004	Power Supply.....	1
9	00-562597-00002	Contactactor (20 Amp.).....	3
10	00-562597-00005	Contactactor (120 V., 50/60 Hz., 50 Amp.).....	4
12	00-562720-00001	Block - Terminal (2 CON) (Black).....	1
13	00-562720-00002	Block - Terminal (2 CON) (Red).....	1
14	00-562890	Block - Terminal (20 Amp.) (10 Pole).....	2
15	00-562892	Plate - End.....	1
16	00-562894	Block - Terminal (3-Pole).....	3
17	00-563724	Holder - Fuse.....	2
19	00-949145-00008	Rail - Din.....	1
20	00-949805-00002	Stop - End.....	2
21	00-975430-00001	Board - Control.....	1
22	00-975431	Board (Daughter).....	1
24	00-975433	Board (Daughter).....	1
26	01-605011	Baseplate.....	1
27	01-605137	Block - Terminal (3-Pole) (380 Amp.).....	1
28	01-605275	Spacer.....	5
29	SC-125-30	Mach. Screw 4-40 x 3/8 Phil. Pan Hd. (SST).....	4
30	SC-129-33	Mach. Screw 8-32 x 3/8 Phil. Pan Hd.....	4
31	SD-015-38	Self-Tapping Screw 6-32 x 3/8 Phil. Pan Hd., Type TT.....	6
32	SD-019-23	Self-Tapping Screw 10-16 x 3/8 Phil. Pan Hd., Type B.....	AR
33	SD-019-30	Self-Tapping Screw 4-24 x 5/8 Phil. Pan Hd., Type B.....	4
34	SD-035-77	Self-Tapping Screw 1/4-20 x 3/8 Phil. Pan Hd., Type TT.....	6
35	SD-040-07	Self-Tapping Screw 2-32 x 5/16.....	2
36	WL-007-15	Lockwasher 1/4 External Shakeproof.....	6
38	0F-011511	Label (L1, L2, L3).....	4
39	0F-041215	Label (TB5).....	1
40	0F-041149	Label (TB5 Connections).....	1
41	0F-041289	Label (TB6).....	1
42	0F-041277	Label (TB6 Connections).....	1
45	0F-041211	Label (TB1).....	1
46	0F-041212	Label (TB2).....	1
47	0F-041213	Label (TB3).....	1
48	0F-041291	Label (TB8).....	1
49	0F-011613	Label - Ground.....	6
50	FE-027-41	Fuse (4 Amp.).....	2
51	00-087714-042-3	Relay (2-Pole) (240 VAC).....	1



**BASEPLATE COMPONENTS
(CL86E) (DWR/ADV)**

BASEPLATE COMPONENTS (CL86E) (DWR/ADV)

ILLUS. PL-62146	PART NO.	NAME OF PART	AMT.
1	00-047080-00011	Standoff #8-32 x 5/16.....	7
2	00-047080-00024	Standoff #4-40 x 1/2.....	4
3	00-087714-042-5	Relay (2-Pole, 30 Amp.).....	2
4	00-118544-00002	Lug - Grounding.....	5
5	00-118544-00003	Lug - Solderless.....	1
6	00-444428	Tie - Cable Releasable.....	AR
7	00-562526	Support - Control.....	1
8	00-562538-00004	Power Supply.....	1
9	00-562597-00002	Contactactor (20 Amp.).....	3
10	00-562597-00005	Contactactor (120 V., 50/60 Hz., 50 Amp.).....	4
12	00-562720-00001	Block - Terminal (2 CON) (Black).....	1
13	00-562720-00002	Block - Terminal (2 CON) (Red).....	1
14	00-562890	Block - Terminal (20 Amp.) (10 Pole).....	2
15	00-562892	Plate - End.....	1
16	00-562894	Block - Terminal (3-Pole).....	3
17	00-563724	Holder - Fuse.....	2
19	00-949145-00008	Rail - Din.....	1
20	00-949805-00002	Stop - End.....	2
21	00-975430-00001	Board - Control.....	1
22	00-975431	Board (Daughter).....	2
24	00-975433	Board (Daughter).....	1
26	01-605011	Baseplate.....	1
27	01-605137	Block - Terminal (3-Pole) (380 Amp.).....	AR
28	01-605275	Spacer.....	5
29	SC-125-30	Mach. Screw 4-40 x 3/8 Phil. Pan Hd. (SST).....	4
30	SC-129-33	Mach. Screw 8-32 x 3/8 Phil. Pan Hd.....	4
31	SD-015-38	Self-Tapping Screw 6-32 x 3/8 Phil. Pan Hd., Type TT.....	6
32	SD-019-23	Self-Tapping Screw 10-16 x 3/8 Phil. Pan Hd., Type B.....	AR
33	SD-019-30	Self-Tapping Screw 4-24 x 5/8 Phil. Pan Hd., Type B.....	4
34	SD-035-77	Self-Tapping Screw 1/4-20 x 3/8 Phil. Pan Hd., Type TT.....	6
35	SD-040-07	Self-Tapping Screw 2-32 x 5/16.....	2
36	WL-007-15	Lockwasher 1/4 External Shakeproof.....	6
38	0F-011511	Label (L1, L2, L3).....	4
39	0F-041215	Label (TB5).....	1
40	0F-041149	Label (TB5 Connections).....	1
41	0F-041289	Label (TB6).....	1
42	0F-041277	Label (TB6 Connections).....	1
45	0F-041211	Label (TB1).....	1
46	0F-041212	Label (TB2).....	1
47	0F-041213	Label (TB3).....	1
48	0F-041291	Label (TB8).....	1
49	0F-011613	Label - Ground.....	6
50	FE-027-41	Fuse (4 Amp.).....	2
51	00-087714-042-3	Relay (2-Pole) (240 VAC).....	1



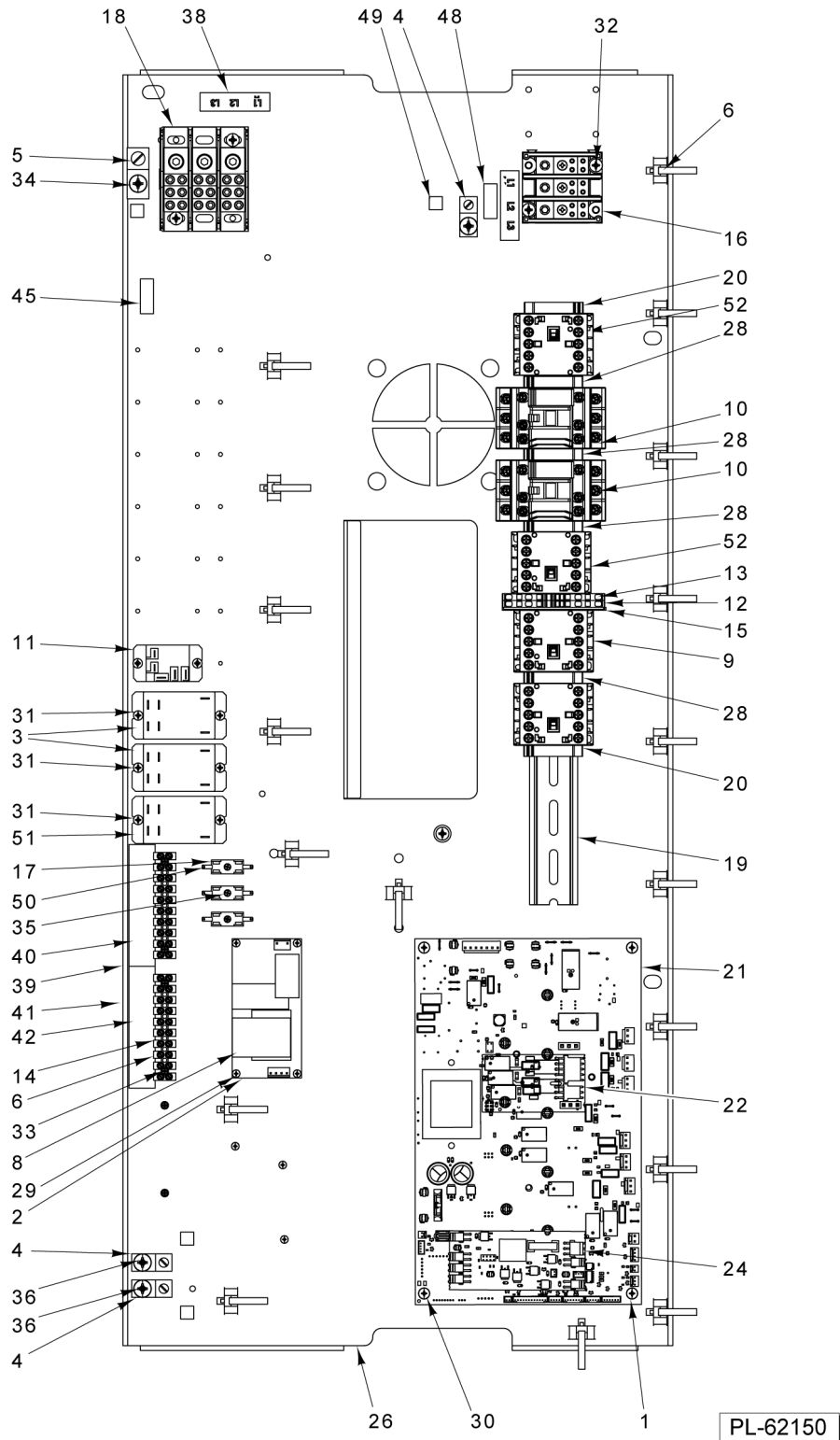
**BASEPLATE COMPONENTS
(CL44G/54G) (BASE)**

**BASEPLATE COMPONENTS
(CL44G/54G) (BASE)**

ILLUS.	PART NO.	NAME OF PART	AMT.
PL-62148			
1	00-047080-00011	Standoff #8-32 x 5/16.....	7
2	00-047080-00024	Standoff #4-40 x 1/2.....	4
3	00-087714-042-5	Relay (2-Pole, 30 Amp.).....	2
4	00-118544-00002	Lug - Grounding.....	3
5	00-118544-00003	Lug - Solderless.....	1
6	00-444428	Tie - Cable Releasable.....	AR
7	00-562526	Support - Control.....	1
8	00-562538-00004	Power Supply.....	1
9	00-562597-00002	Contactactor (20 Amp.).....	1
10	00-562597-00005	Contactactor (120 V., 50/60 Hz., 50 Amp.).....	2
11	00-562599-00004	Relay (1-Pole).....	1
12	00-562720-00001	Block - Terminal (2 CON) (Black).....	1
13	00-562720-00002	Block - Terminal (2 CON) (Red).....	1
14	00-562890	Block - Terminal (20 Amp.) (10 Pole).....	2
15	00-562892	Plate - End.....	1
16	00-562894	Block - Terminal (3-Pole).....	1
17	00-563724	Holder - Fuse.....	3
18	00-949047	Block - Terminal (175 Amp.).....	1
19	00-949145-00008	Rail - Din.....	1
20	00-949805-00002	Stop - End.....	2
21	00-975430-00001	Board - Control.....	1
24	00-975433	Board (Daughter).....	1
26	01-605011	Baseplate.....	1
28	01-605275	Spacer.....	2
29	SC-125-30	Mach. Screw 4-40 x 3/8 Phil. Pan Hd. (SST).....	4
30	SC-129-33	Mach. Screw 8-32 x 3/8 Phil. Pan Hd.....	4
31	SD-015-38	Self-Tapping Screw 6-32 x 3/8 Phil. Pan Hd., Type TT.....	8
32	SD-019-23	Self-Tapping Screw 10-16 x 3/8 Phil. Pan Hd., Type B.....	7
33	SD-019-30	Self-Tapping Screw 4-24 x 5/8 Phil. Pan Hd., Type B.....	4
34	SD-035-77	Self-Tapping Screw 1/4-20 x 3/8 Phil. Pan Hd., Type TT.....	4
35	SD-040-07	Self-Tapping Screw 2-32 x 5/16.....	3
36	WL-007-15	Lockwasher 1/4 External Shakeproof.....	4
38	0F-011511	Label (L1, L2, L3).....	2
39	0F-041215	Label (TB5).....	1
40	0F-041149	Label (TB5 Connections).....	1
41	0F-041289	Label (TB6).....	1
42	0F-041277	Label (TB6 Connections).....	1
45	0F-041211	Label (TB1).....	1
48	0F-041291	Label (TB8).....	1
49	0F-011613	Label - Ground.....	4
50	FE-027-41	Fuse (4 Amp.).....	3
51	00-087714-042-3	Relay (2-Pole) (240 VAC).....	1
52	00-562597-00001	Contactactor (20 Amp.).....	1

**BASEPLATE COMPONENTS
(CL66G/76G) (BASE)**

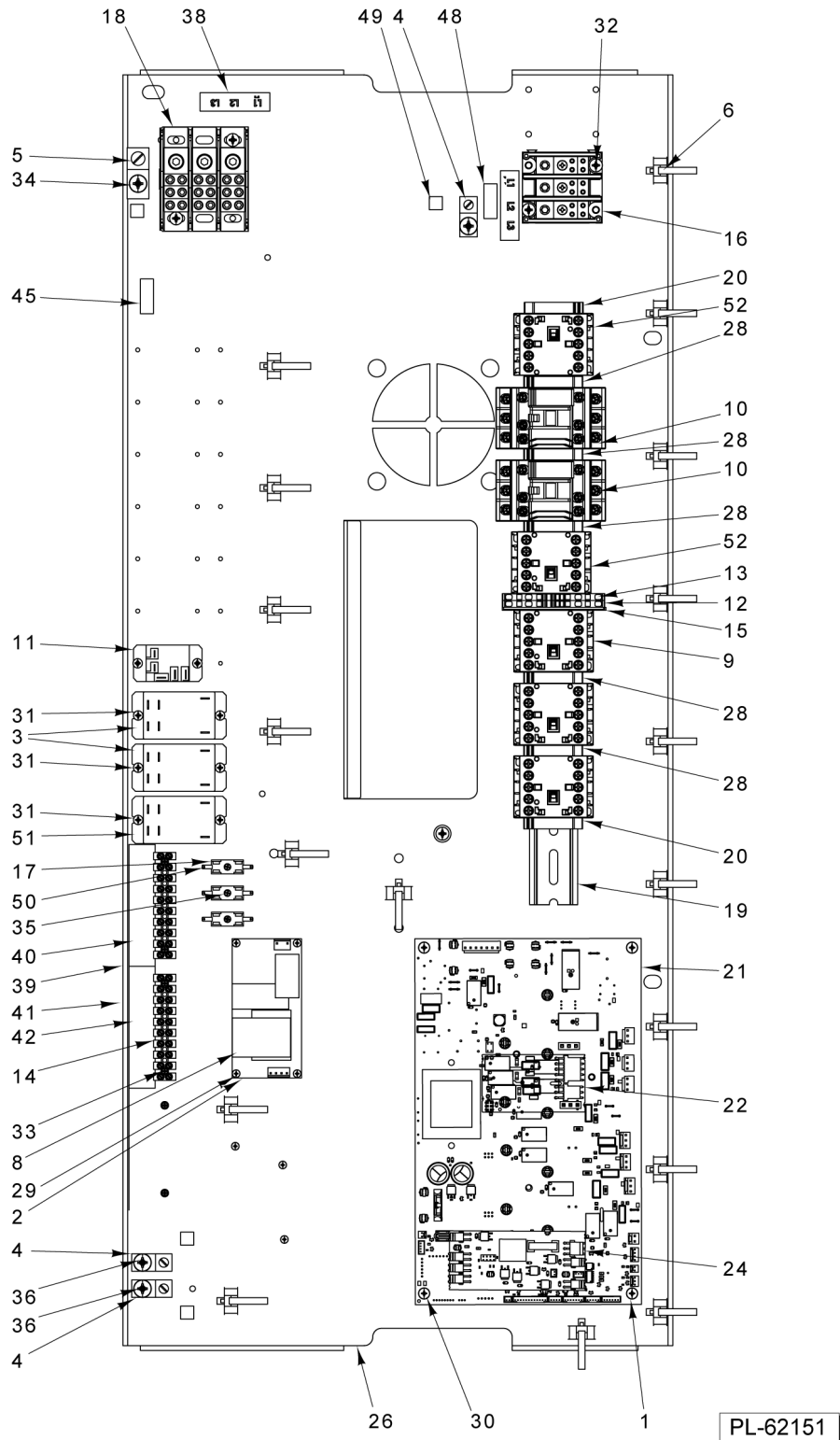
ILLUS. PL-62149	PART NO.	NAME OF PART	AMT.
1	00-047080-00011	Standoff #8-32 x 5/16.....	7
2	00-047080-00024	Standoff #4-40 x 1/2.....	4
3	00-087714-042-5	Relay (2-Pole, 30 Amp.).....	2
4	00-118544-00002	Lug - Grounding.....	3
5	00-118544-00003	Lug - Solderless.....	1
6	00-444428	Tie - Cable Releasable.....	AR
7	00-562526	Support - Control.....	1
8	00-562538-00004	Power Supply.....	1
9	00-562597-00002	Contactactor (20 Amp.).....	2
10	00-562597-00005	Contactactor (120 V., 50/60 Hz., 50 Amp.).....	2
11	00-562599-00004	Relay (1-Pole).....	1
12	00-562720-00001	Block - Terminal (2 CON) (Black).....	1
13	00-562720-00002	Block - Terminal (2 CON) (Red).....	1
14	00-562890	Block - Terminal (20 Amp.) (10 Pole).....	2
15	00-562892	Plate - End.....	1
16	00-562894	Block - Terminal (3-Pole).....	1
17	00-563724	Holder - Fuse.....	1
18	00-949047	Block - Terminal (175 Amp.).....	1
19	00-949145-00008	Rail - Din.....	1
20	00-949805-00002	Stop - End.....	2
21	00-975430-00001	Board - Control.....	1
24	00-975433	Board (Daughter).....	1
26	01-605011	Baseplate.....	1
28	01-605275	Spacer.....	2
29	SC-125-30	Mach. Screw 4-40 x 3/8 Phil. Pan Hd. (SST).....	4
30	SC-129-33	Mach. Screw 8-32 x 3/8 Phil. Pan Hd.....	4
31	SD-015-38	Self-Tapping Screw 6-32 x 3/8 Phil. Pan Hd., Type TT.....	5
32	SD-019-23	Self-Tapping Screw 10-16 x 3/8 Phil. Pan Hd., Type B.....	7
33	SD-019-30	Self-Tapping Screw 4-24 x 5/8 Phil. Pan Hd., Type B.....	4
34	SD-035-77	Self-Tapping Screw 1/4-20 x 3/8 Phil. Pan Hd., Type TT.....	4
35	SD-040-07	Self-Tapping Screw 2-32 x 5/16.....	3
36	WL-007-15	Lockwasher 1/4 External Shakeproof.....	4
38	0F-011511	Label (L1, L2, L3).....	2
39	0F-041215	Label (TB5).....	1
40	0F-041149	Label (TB5 Connections).....	1
41	0F-041289	Label (TB6).....	1
42	0F-041277	Label (TB6 Connections).....	1
45	0F-041211	Label (TB1).....	1
48	0F-041291	Label (TB8).....	1
49	0F-011613	Label - Ground.....	4
50	FE-027-41	Fuse (4 Amp.).....	3
51	00-087714-042-3	Relay (2-Pole) (240 VAC).....	1
52	00-562597-00001	Contactactor (20 Amp.).....	1



**BASEPLATE COMPONENTS
(CL64G) (BASE)**

BASEPLATE COMPONENTS (CL64G) (BASE)

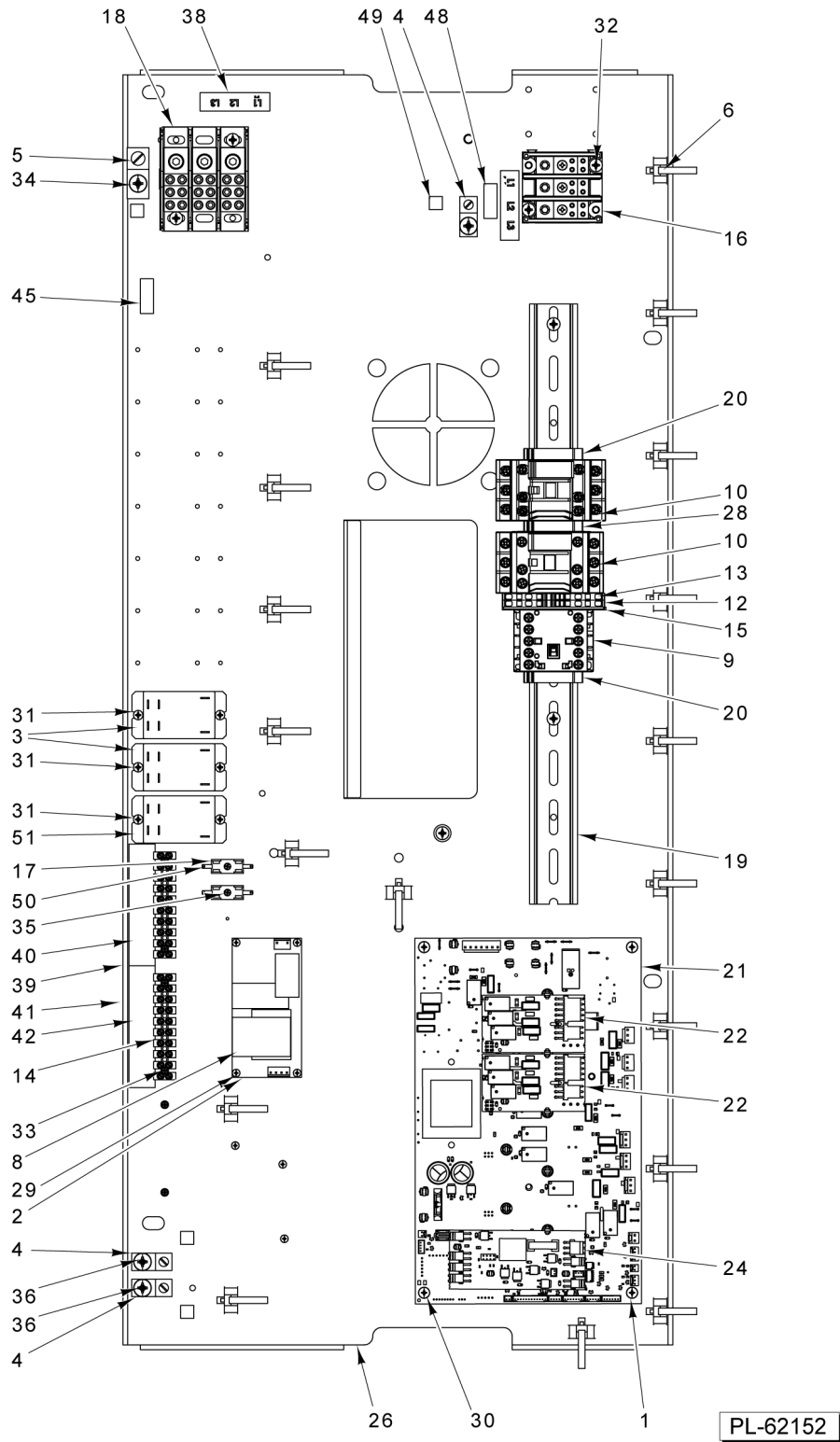
ILLUS. PL-62150	PART NO.	NAME OF PART	AMT.
1	00-047080-00011	Standoff #8-32 x 5/16.....	7
2	00-047080-00024	Standoff #4-40 x 1/2.....	4
3	00-087714-042-5	Relay (2-Pole, 30 Amp.).....	2
4	00-118544-00002	Lug - Grounding.....	3
5	00-118544-00003	Lug - Solderless.....	1
6	00-444428	Tie - Cable Releasable.....	AR
7	00-562526	Support - Control.....	1
8	00-562538-00004	Power Supply.....	1
9	00-562597-00002	Contactactor (20 Amp.).....	2
10	00-562597-00005	Contactactor (120 V., 50/60 Hz., 50 Amp.).....	2
11	00-562599-00004	Relay (1-Pole).....	1
12	00-562720-00001	Block - Terminal (2 CON) (Black).....	1
13	00-562720-00002	Block - Terminal (2 CON) (Red).....	1
14	00-562890	Block - Terminal (20 Amp.) (10 Pole).....	2
15	00-562892	Plate - End.....	1
16	00-562894	Block - Terminal (3-Pole).....	1
17	00-563724	Holder - Fuse.....	3
18	00-949047	Block - Terminal (175 Amp.).....	1
19	00-949145-00008	Rail - Din.....	1
20	00-949805-00002	Stop - End.....	2
21	00-975430-00001	Board - Control.....	1
22	00-975431	Board (Daughter).....	1
24	00-975433	Board (Daughter).....	1
26	01-605011	Baseplate.....	1
28	01-605275	Spacer.....	2
29	SC-125-30	Mach. Screw 4-40 x 3/8 Phil. Pan Hd. (SST).....	4
30	SC-129-33	Mach. Screw 8-32 x 3/8 Phil. Pan Hd.....	4
31	SD-015-38	Self-Tapping Screw 6-32 x 3/8 Phil. Pan Hd., Type TT.....	8
32	SD-019-23	Self-Tapping Screw 10-16 x 3/8 Phil. Pan Hd., Type B.....	7
33	SD-019-30	Self-Tapping Screw 4-24 x 5/8 Phil. Pan Hd., Type B.....	4
34	SD-035-77	Self-Tapping Screw 1/4-20 x 3/8 Phil. Pan Hd., Type TT.....	4
35	SD-040-07	Self-Tapping Screw 2-32 x 5/16.....	3
36	WL-007-15	Lockwasher 1/4 External Shakeproof.....	4
38	0F-011511	Label (L1, L2, L3).....	2
39	0F-041215	Label (TB5).....	1
40	0F-041149	Label (TB5 Connections).....	1
41	0F-041289	Label (TB6).....	1
42	0F-041277	Label (TB6 Connections).....	1
45	0F-041211	Label (TB1).....	1
48	0F-041291	Label (TB8).....	1
49	0F-011613	Label - Ground.....	4
50	FE-027-41	Fuse (4 Amp.).....	3
51	00-087714-042-3	Relay (2-Pole) (240 VAC).....	1
52	00-562597-00001	Contactactor (20 Amp.).....	2



**BASEPLATE COMPONENTS
(CL86G) (BASE)**

**BASEPLATE COMPONENTS
(CL86G) (BASE)**

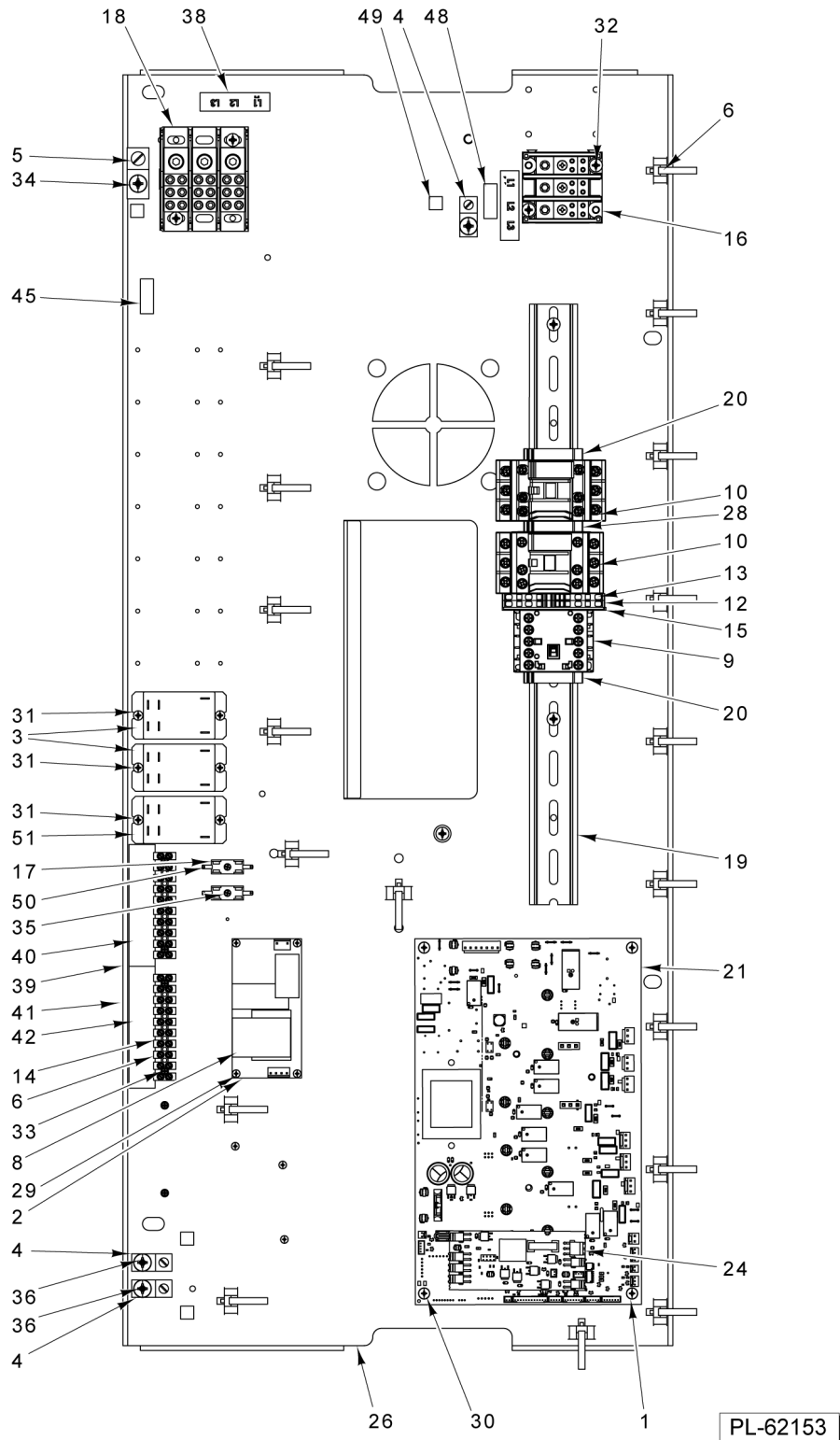
ILLUS. PL-62151	PART NO.	NAME OF PART	AMT.
1	00-047080-00011	Standoff #8-32 x 5/16.....	7
2	00-047080-00024	Standoff #4-40 x 1/2.....	4
3	00-087714-042-5	Relay (2-Pole, 30 Amp.).....	2
4	00-118544-00002	Lug - Grounding.....	3
5	00-118544-00003	Lug - Solderless.....	1
6	00-444428	Tie - Cable Releasable.....	AR
7	00-562526	Support - Control.....	1
8	00-562538-00004	Power Supply.....	1
9	00-562597-00002	Contactor (20 Amp.).....	3
10	00-562597-00005	Contactor (120 V., 50/60 Hz., 50 Amp.).....	2
11	00-562599-00004	Relay (1-Pole).....	1
12	00-562720-00001	Block - Terminal (2 CON) (Black).....	1
13	00-562720-00002	Block - Terminal (2 CON) (Red).....	1
14	00-562890	Block - Terminal (20 Amp.) (10 Pole).....	2
15	00-562892	Plate - End.....	1
16	00-562894	Block - Terminal (3-Pole).....	1
17	00-563724	Holder - Fuse.....	3
18	00-949047	Block - Terminal (175 Amp.).....	1
19	00-949145-00008	Rail - Din.....	1
20	00-949805-00002	Stop - End.....	2
21	00-975430-00001	Board - Control.....	1
22	00-975431	Board (Daughter).....	1
23	00-975432	Board (Daughter).....	AR
24	00-975433	Board (Daughter).....	1
25	00-975434	Board (Modbus).....	AR
26	01-605011	Baseplate.....	1
27	01-605137	Block - Terminal (3-Pole) (380 Amp.).....	AR
28	01-605275	Spacer.....	3
29	SC-125-30	Mach. Screw 4-40 x 3/8 Phil. Pan Hd. (SST).....	4
30	SC-129-33	Mach. Screw 8-32 x 3/8 Phil. Pan Hd.....	4
31	SD-015-38	Self-Tapping Screw 6-32 x 3/8 Phil. Pan Hd., Type TT.....	8
32	SD-019-23	Self-Tapping Screw 10-16 x 3/8 Phil. Pan Hd., Type B.....	7
33	SD-019-30	Self-Tapping Screw 4-24 x 5/8 Phil. Pan Hd., Type B.....	5
34	SD-035-77	Self-Tapping Screw 1/4-20 x 3/8 Phil. Pan Hd., Type TT.....	4
35	SD-040-07	Self-Tapping Screw 2-32 x 5/16.....	3
36	WL-007-15	Lockwasher 1/4 External Shakeproof.....	4
37	WL-013-11	Lockwasher #10 Internal Shakeproof (SST).....	AR
38	0F-011511	Label (L1, L2, L3).....	2
39	0F-041215	Label (TB5).....	1
40	0F-041149	Label (TB5 Connections).....	1
41	0F-041289	Label (TB6).....	1
42	0F-041277	Label (TB6 Connections).....	1
43	0F-041290	Label (TB7).....	AR
44	0F-041278	Label (TB7 Connections).....	AR
45	0F-041211	Label (TB1).....	1
46	0F-041212	Label (TB2).....	AR
47	0F-041213	Label (TB3).....	AR
48	0F-041291	Label (TB8).....	1
49	0F-011613	Label - Ground.....	4
50	FE-027-41	Fuse (4 Amp.).....	3
51	00-087714-042-3	Relay (2-Pole) (240 VAC).....	1
52	00-562597-00001	Contactor (20 Amp.).....	2



**BASEPLATE COMPONENTS
(CL44S/54S) (DWR)**

**BASEPLATE COMPONENTS
(CL44S/54S) (DWR)**

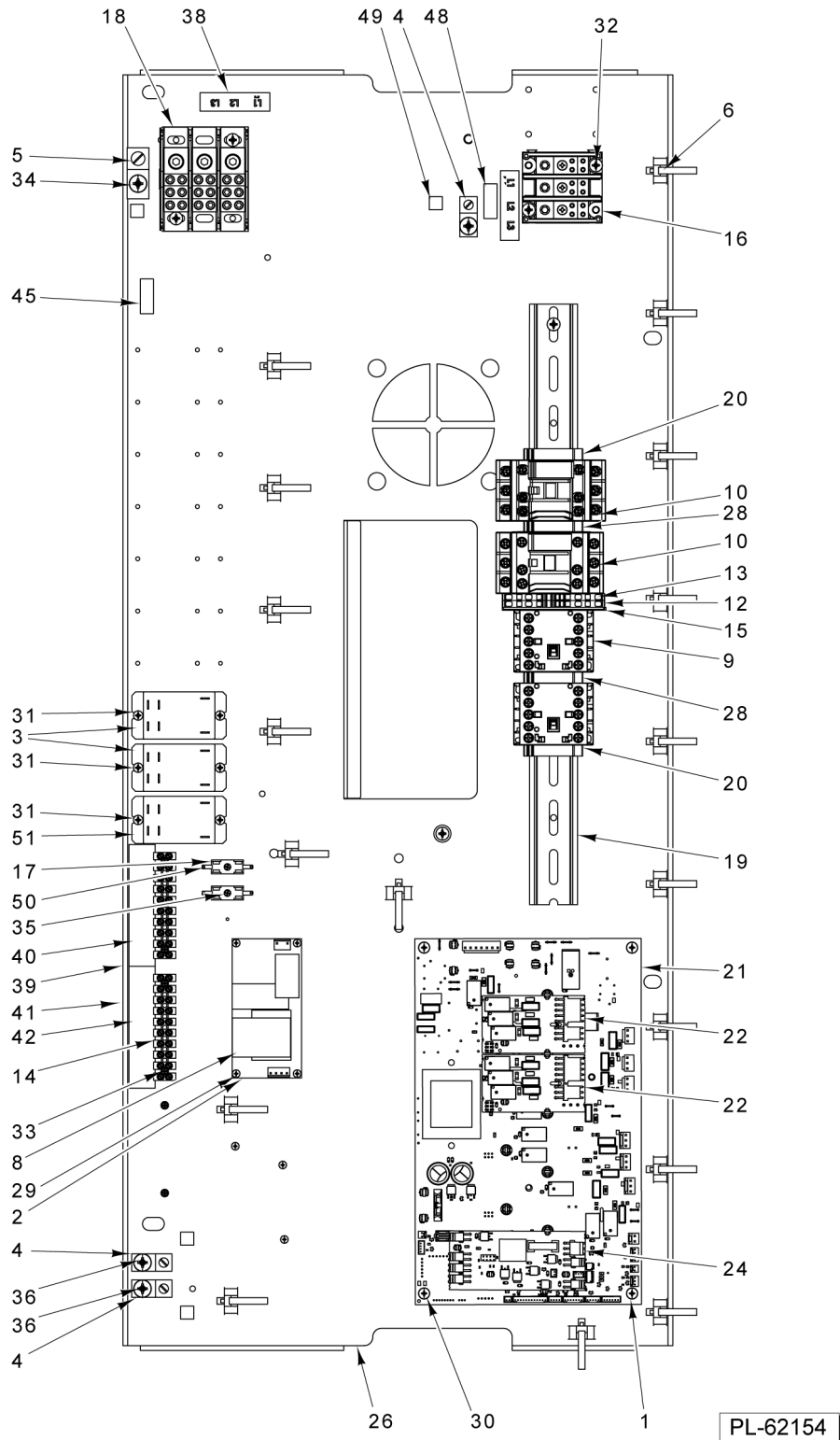
ILLUS. PL-62152	PART NO.	NAME OF PART	AMT.
1	00-047080-00011	Standoff #8-32 x 5/16.....	7
2	00-047080-00024	Standoff #4-40 x 1/2.....	4
3	00-087714-042-5	Relay (2-Pole, 30 Amp.).....	2
4	00-118544-00002	Lug - Grounding.....	3
5	00-118544-00003	Lug - Solderless.....	1
6	00-444428	Tie - Cable Releasable.....	AR
7	00-562526	Support - Control.....	1
8	00-562538-00004	Power Supply.....	1
9	00-562597-00002	Contact (20 Amp.).....	1
10	00-562597-00005	Contact (120 V., 50/60 Hz., 50 Amp.).....	2
12	00-562720-00001	Block - Terminal (2 CON) (Black).....	1
13	00-562720-00002	Block - Terminal (2 CON) (Red).....	1
14	00-562890	Block - Terminal (20 Amp.) (10 Pole).....	2
15	00-562892	Plate - End.....	1
16	00-562894	Block - Terminal (3-Pole).....	1
17	00-563724	Holder - Fuse.....	2
18	00-949047	Block - Terminal (175 Amp.).....	1
19	00-949145-00008	Rail - Din.....	1
20	00-949805-00002	Stop - End.....	2
21	00-975430-00001	Board - Control.....	1
22	00-975431	Board (Daughter).....	2
24	00-975433	Board (Daughter).....	1
26	01-605011	Baseplate.....	1
28	01-605275	Spacer.....	1
29	SC-125-30	Mach. Screw 4-40 x 3/8 Phil. Pan Hd. (SST).....	4
30	SC-129-33	Mach. Screw 8-32 x 3/8 Phil. Pan Hd.....	4
31	SD-015-38	Self-Tapping Screw 6-32 x 3/8 Phil. Pan Hd., Type TT.....	6
32	SD-019-23	Self-Tapping Screw 10-16 x 3/8 Phil. Pan Hd., Type B.....	7
33	SD-019-30	Self-Tapping Screw 4-24 x 5/8 Phil. Pan Hd., Type B.....	4
34	SD-035-77	Self-Tapping Screw 1/4-20 x 3/8 Phil. Pan Hd., Type TT.....	4
35	SD-040-07	Self-Tapping Screw 2-32 x 5/16.....	2
36	WL-007-15	Lockwasher 1/4 External Shakeproof.....	4
38	0F-011511	Label (L1, L2, L3).....	2
39	0F-041215	Label (TB5).....	1
40	0F-041149	Label (TB5 Connections).....	1
41	0F-041289	Label (TB6).....	1
42	0F-041277	Label (TB6 Connections).....	1
45	0F-041211	Label (TB1).....	1
46	0F-041212	Label (TB2).....	1
48	0F-041291	Label (TB8).....	1
49	0F-011613	Label - Ground.....	4
50	FE-027-41	Fuse (4 Amp.).....	3
51	00-087714-042-3	Relay (2-Pole) (240 VAC).....	1



**BASEPLATE COMPONENTS
(CL44S/54S) (BASE)**

**BASEPLATE COMPONENTS
(CL44S/54S) (BASE)**

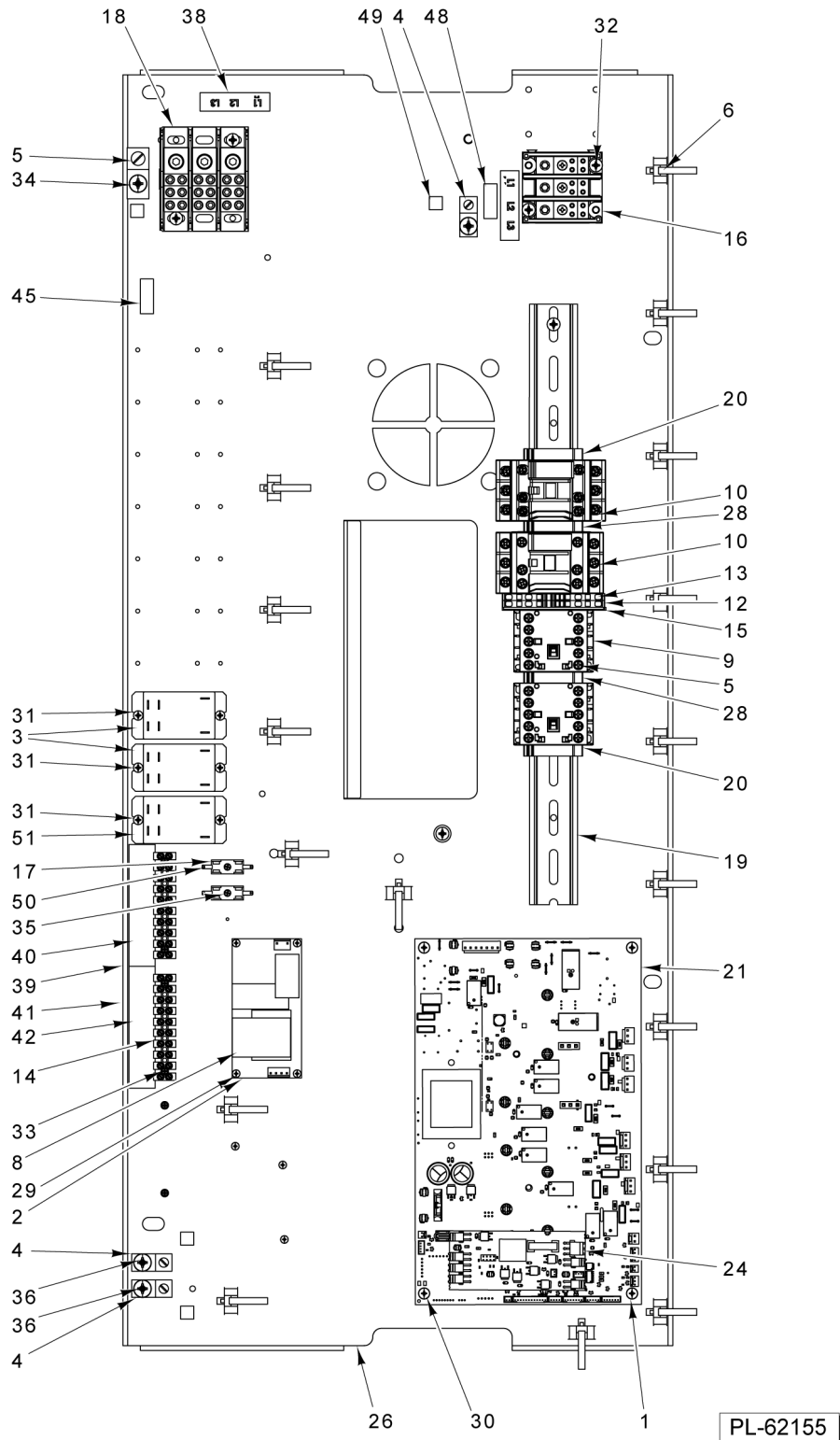
ILLUS. PL-62153	PART NO.	NAME OF PART	AMT.
1	00-047080-00011	Standoff #8-32 x 5/16.....	7
2	00-047080-00024	Standoff #4-40 x 1/2.....	4
3	00-087714-042-5	Relay (2-Pole, 30 Amp.).....	2
4	00-118544-00002	Lug - Grounding.....	3
5	00-118544-00003	Lug - Solderless.....	1
6	00-444428	Tie - Cable Releasable.....	AR
7	00-562526	Support - Control.....	1
8	00-562538-00004	Power Supply.....	1
9	00-562597-00002	Contact (20 Amp.).....	1
10	00-562597-00005	Contact (120 V., 50/60 Hz., 50 Amp.).....	2
12	00-562720-00001	Block - Terminal (2 CON) (Black).....	1
13	00-562720-00002	Block - Terminal (2 CON) (Red).....	1
14	00-562890	Block - Terminal (20 Amp.) (10 Pole).....	2
15	00-562892	Plate - End.....	1
16	00-562894	Block - Terminal (3-Pole).....	1
17	00-563724	Holder - Fuse.....	2
18	00-949047	Block - Terminal (175 Amp.).....	1
19	00-949145-00008	Rail - Din.....	1
20	00-949805-00002	Stop - End.....	2
21	00-975430-00001	Board - Control.....	1
24	00-975433	Board (Daughter).....	1
26	01-605011	Baseplate.....	1
28	01-605275	Spacer.....	1
29	SC-125-30	Mach. Screw 4-40 x 3/8 Phil. Pan Hd. (SST).....	4
30	SC-129-33	Mach. Screw 8-32 x 3/8 Phil. Pan Hd.....	4
31	SD-015-38	Self-Tapping Screw 6-32 x 3/8 Phil. Pan Hd., Type TT.....	6
32	SD-019-23	Self-Tapping Screw 10-16 x 3/8 Phil. Pan Hd., Type B.....	7
33	SD-019-30	Self-Tapping Screw 4-24 x 5/8 Phil. Pan Hd., Type B.....	4
34	SD-035-77	Self-Tapping Screw 1/4-20 x 3/8 Phil. Pan Hd., Type TT.....	4
35	SD-040-07	Self-Tapping Screw 2-32 x 5/16.....	2
36	WL-007-15	Lockwasher 1/4 External Shakeproof.....	4
38	0F-011511	Label (L1, L2, L3).....	2
39	0F-041215	Label (TB5).....	1
40	0F-041149	Label (TB5 Connections).....	1
41	0F-041289	Label (TB6).....	1
42	0F-041277	Label (TB6 Connections).....	1
45	0F-041211	Label (TB1).....	1
48	0F-041291	Label (TB8).....	1
49	0F-011613	Label - Ground.....	4
50	FE-027-41	Fuse (4 Amp.).....	2
51	00-087714-042-3	Relay (2-Pole) (240 VAC).....	1



**BASEPLATE COMPONENTS
(CL66S/76S) (DWR)**

**BASEPLATE COMPONENTS
(CL66S/76S) (DWR)**

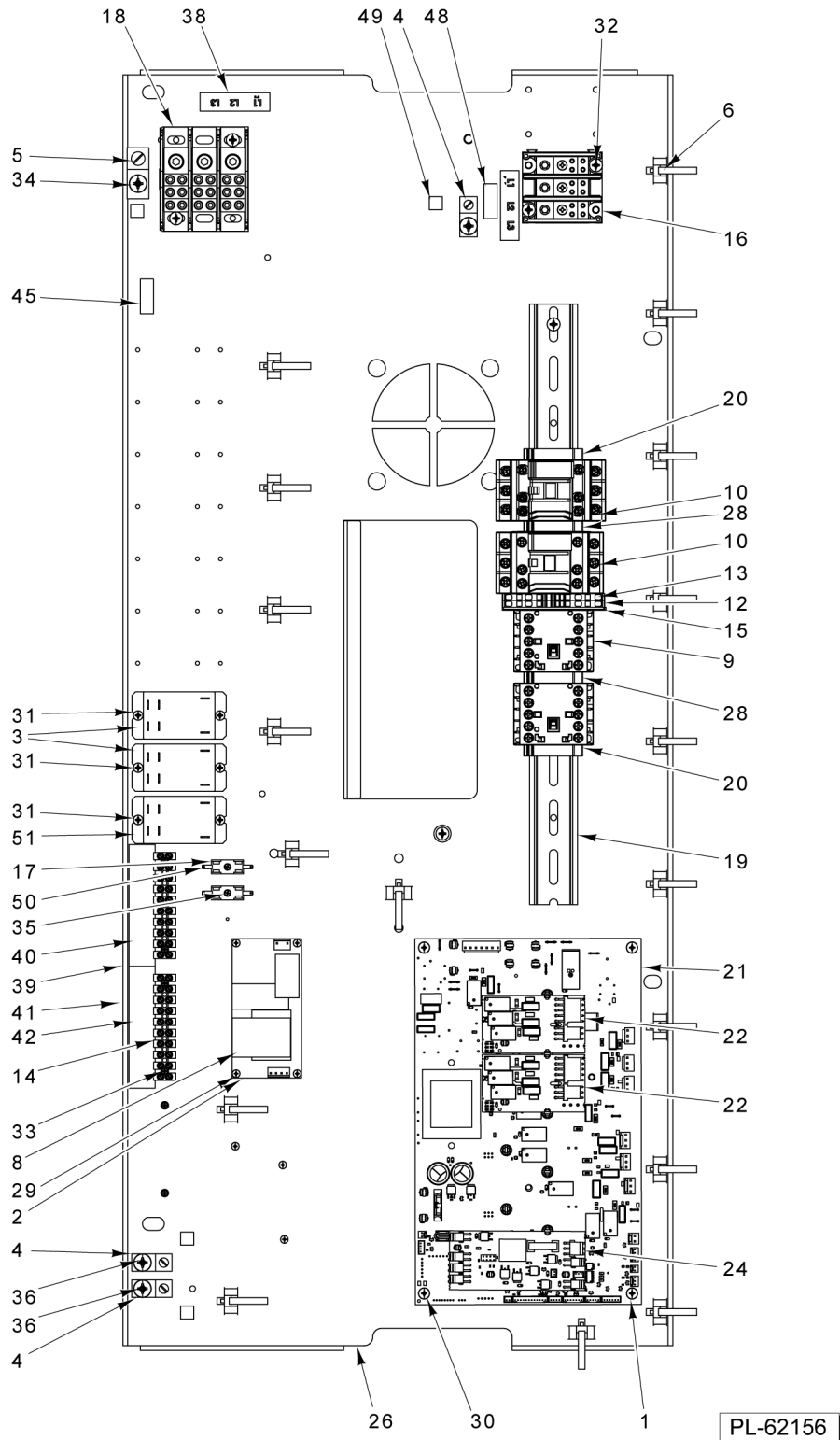
ILLUS. PL-62154	PART NO.	NAME OF PART	AMT.
1	00-047080-00011	Standoff #8-32 x 5/16.....	7
2	00-047080-00024	Standoff #4-40 x 1/2.....	4
3	00-087714-042-5	Relay (2-Pole, 30 Amp.).....	2
4	00-118544-00002	Lug - Grounding.....	3
5	00-118544-00003	Lug - Solderless.....	1
6	00-444428	Tie - Cable Releasable.....	AR
7	00-562526	Support - Control.....	1
8	00-562538-00004	Power Supply.....	1
9	00-562597-00002	Contactor (20 Amp.).....	2
10	00-562597-00005	Contactor (120 V., 50/60 Hz., 50 Amp.).....	2
12	00-562720-00001	Block - Terminal (2 CON) (Black).....	1
13	00-562720-00002	Block - Terminal (2 CON) (Red).....	1
14	00-562890	Block - Terminal (20 Amp.) (10 Pole).....	2
15	00-562892	Plate - End.....	1
16	00-562894	Block - Terminal (3-Pole).....	1
17	00-563724	Holder - Fuse.....	2
18	00-949047	Block - Terminal (175 Amp.).....	1
19	00-949145-00008	Rail - Din.....	1
20	00-949805-00002	Stop - End.....	2
21	00-975430-00001	Board - Control.....	1
22	00-975431	Board (Daughter).....	2
24	00-975433	Board (Daughter).....	1
26	01-605011	Baseplate.....	1
28	01-605275	Spacer.....	2
29	SC-125-30	Mach. Screw 4-40 x 3/8 Phil. Pan Hd. (SST).....	4
30	SC-129-33	Mach. Screw 8-32 x 3/8 Phil. Pan Hd.....	4
31	SD-015-38	Self-Tapping Screw 6-32 x 3/8 Phil. Pan Hd., Type TT.....	6
32	SD-019-23	Self-Tapping Screw 10-16 x 3/8 Phil. Pan Hd., Type B.....	7
33	SD-019-30	Self-Tapping Screw 4-24 x 5/8 Phil. Pan Hd., Type B.....	4
34	SD-035-77	Self-Tapping Screw 1/4-20 x 3/8 Phil. Pan Hd., Type TT.....	4
35	SD-040-07	Self-Tapping Screw 2-32 x 5/16.....	2
36	WL-007-15	Lockwasher 1/4 External Shakeproof.....	4
38	0F-011511	Label (L1, L2, L3).....	2
39	0F-041215	Label (TB5).....	1
40	0F-041149	Label (TB5 Connections).....	1
41	0F-041289	Label (TB6).....	1
42	0F-041277	Label (TB6 Connections).....	1
45	0F-041211	Label (TB1).....	1
48	0F-041291	Label (TB8).....	1
49	0F-011613	Label - Ground.....	4
50	FE-027-41	Fuse (4 Amp.).....	2
51	00-087714-042-3	Relay (2-Pole) (240 VAC).....	1



**BASEPLATE COMPONENTS
(CL66S/76S) (BASE)**

**BASEPLATE COMPONENTS
(CL66S/76S) (BASE)**

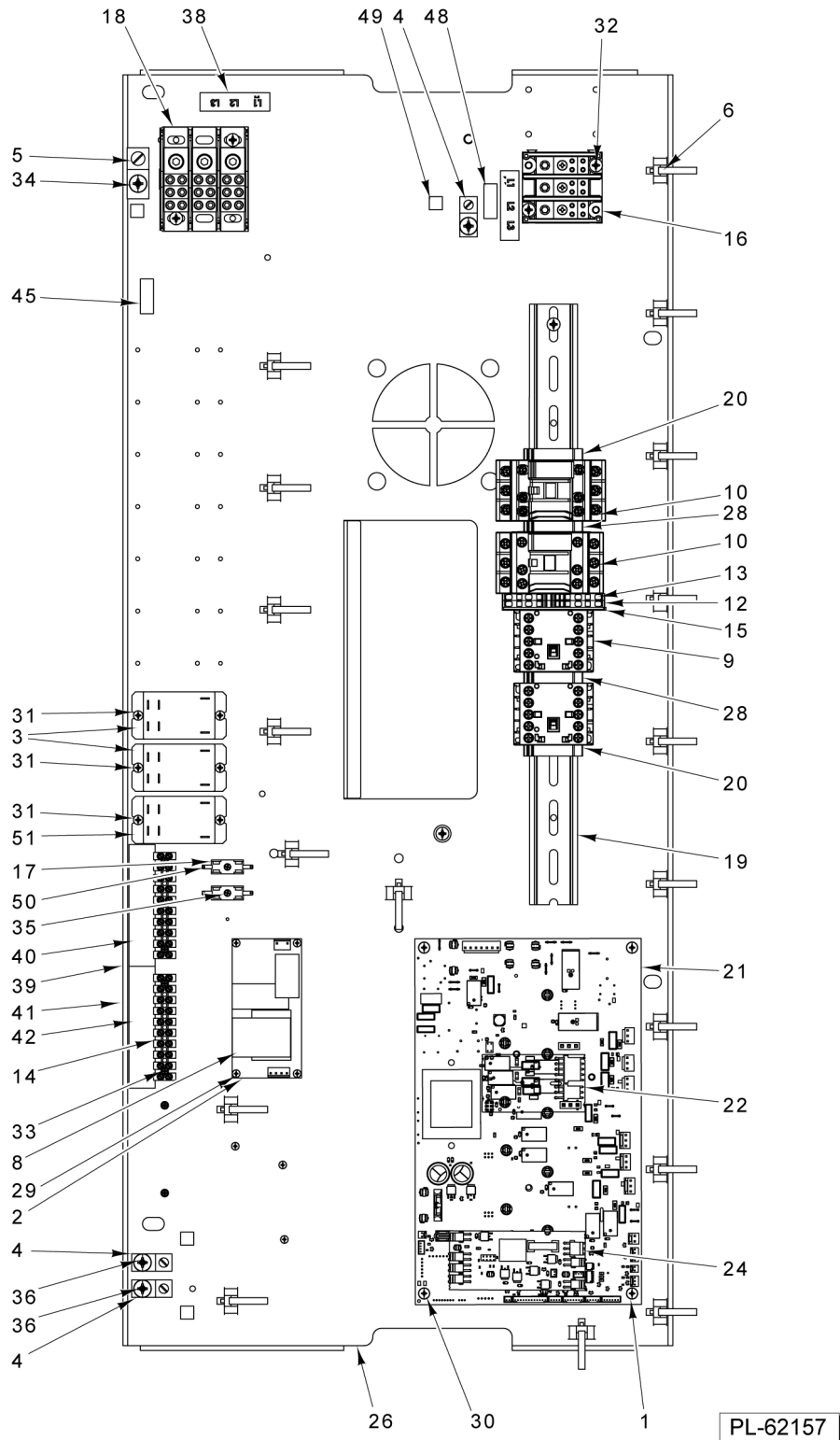
ILLUS. PL-62155	PART NO.	NAME OF PART	AMT.
1	00-047080-00011	Standoff #8-32 x 5/16.....	7
2	00-047080-00024	Standoff #4-40 x 1/2.....	4
3	00-087714-042-5	Relay (2-Pole, 30 Amp.).....	2
4	00-118544-00002	Lug - Grounding.....	3
5	00-118544-00003	Lug - Solderless.....	1
6	00-444428	Tie - Cable Releasable.....	AR
7	00-562526	Support - Control.....	1
8	00-562538-00004	Power Supply.....	1
9	00-562597-00002	Contact (20 Amp.).....	2
10	00-562597-00005	Contact (120 V., 50/60 Hz., 50 Amp.).....	2
12	00-562720-00001	Block - Terminal (2 CON) (Black).....	1
13	00-562720-00002	Block - Terminal (2 CON) (Red).....	1
14	00-562890	Block - Terminal (20 Amp.) (10 Pole).....	2
15	00-562892	Plate - End.....	1
16	00-562894	Block - Terminal (3-Pole).....	1
17	00-563724	Holder - Fuse.....	2
18	00-949047	Block - Terminal (175 Amp.).....	1
19	00-949145-00008	Rail - Din.....	1
20	00-949805-00002	Stop - End.....	2
21	00-975430-00001	Board - Control.....	1
24	00-975433	Board (Daughter).....	1
26	01-605011	Baseplate.....	1
28	01-605275	Spacer.....	2
29	SC-125-30	Mach. Screw 4-40 x 3/8 Phil. Pan Hd. (SST).....	4
30	SC-129-33	Mach. Screw 8-32 x 3/8 Phil. Pan Hd.....	4
31	SD-015-38	Self-Tapping Screw 6-32 x 3/8 Phil. Pan Hd., Type TT.....	6
32	SD-019-23	Self-Tapping Screw 10-16 x 3/8 Phil. Pan Hd., Type B.....	7
33	SD-019-30	Self-Tapping Screw 4-24 x 5/8 Phil. Pan Hd., Type B.....	4
34	SD-035-77	Self-Tapping Screw 1/4-20 x 3/8 Phil. Pan Hd., Type TT.....	4
35	SD-040-07	Self-Tapping Screw 2-32 x 5/16.....	2
36	WL-007-15	Lockwasher 1/4 External Shakeproof.....	4
38	0F-011511	Label (L1, L2, L3).....	2
39	0F-041215	Label (TB5).....	1
40	0F-041149	Label (TB5 Connections).....	1
41	0F-041289	Label (TB6).....	1
42	0F-041277	Label (TB6 Connections).....	1
45	0F-041211	Label (TB1).....	1
48	0F-041291	Label (TB8).....	1
49	0F-011613	Label - Ground.....	4
50	FE-027-41	Fuse (4 Amp.).....	2
51	00-087714-042-3	Relay (2-Pole) (240 VAC).....	1



**BASEPLATE COMPONENTS
(CL64S) (DWR)**

**BASEPLATE COMPONENTS
(CL64S) (DWR)**

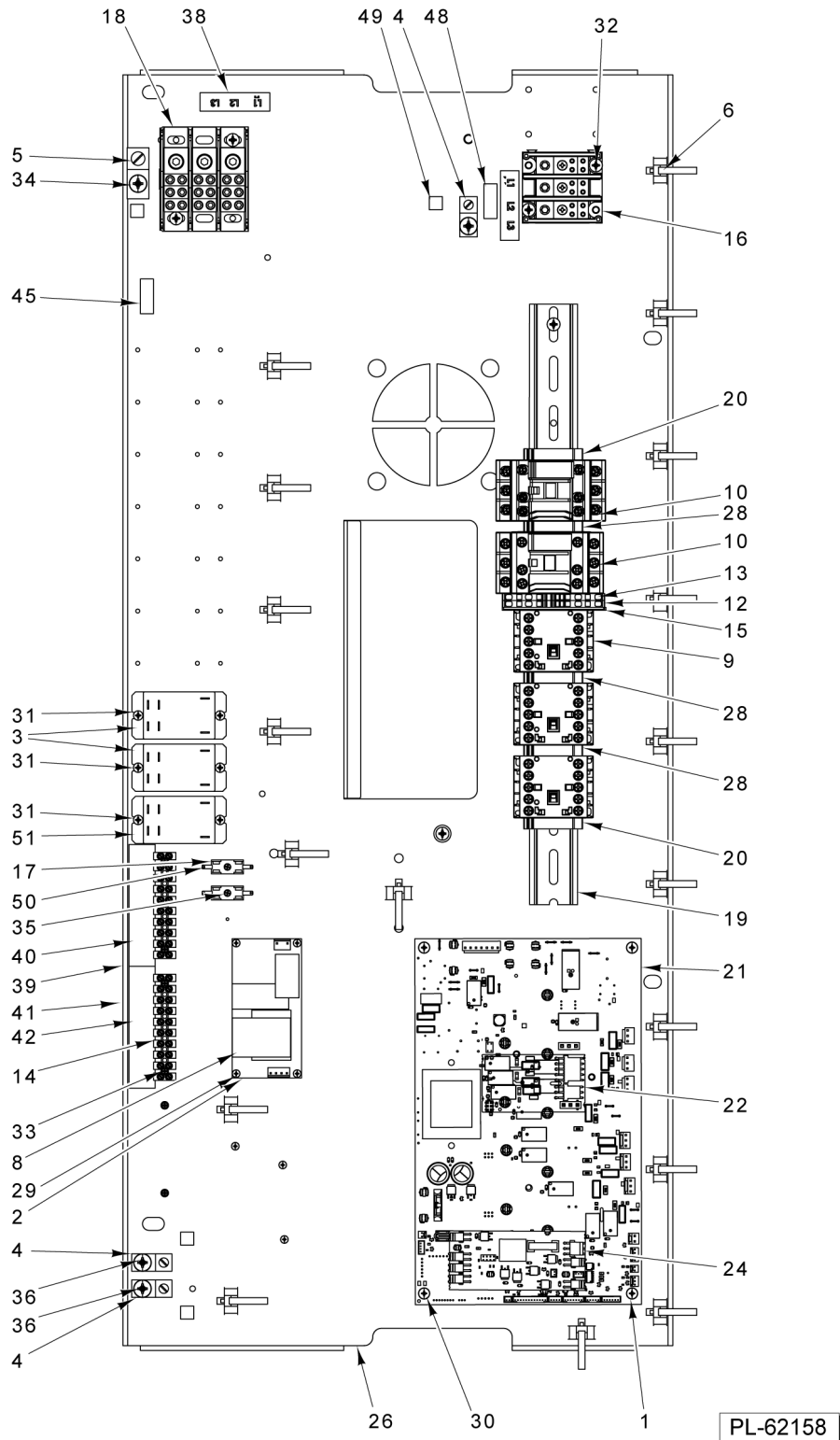
ILLUS. PL-62156	PART NO.	NAME OF PART	AMT.
1	00-047080-00011	Standoff #8-32 x 5/16.....	7
2	00-047080-00024	Standoff #4-40 x 1/2.....	4
3	00-087714-042-5	Relay (2-Pole, 30 Amp.).....	2
4	00-118544-00002	Lug - Grounding.....	3
5	00-118544-00003	Lug - Solderless.....	1
6	00-444428	Tie - Cable Releasable.....	AR
7	00-562526	Support - Control.....	1
8	00-562538-00004	Power Supply.....	1
9	00-562597-00002	Contactor (20 Amp.).....	2
10	00-562597-00005	Contactor (120 V., 50/60 Hz., 50 Amp.).....	2
12	00-562720-00001	Block - Terminal (2 CON) (Black).....	1
13	00-562720-00002	Block - Terminal (2 CON) (Red).....	1
14	00-562890	Block - Terminal (20 Amp.) (10 Pole).....	2
15	00-562892	Plate - End.....	1
16	00-562894	Block - Terminal (3-Pole).....	2
17	00-563724	Holder - Fuse.....	2
18	00-949047	Block - Terminal (175 Amp.).....	1
19	00-949145-00008	Rail - Din.....	1
20	00-949805-00002	Stop - End.....	2
21	00-975430-00001	Board - Control.....	1
22	00-975431	Board (Daughter).....	2
24	00-975433	Board (Daughter).....	1
26	01-605011	Baseplate.....	1
28	01-605275	Spacer.....	2
29	SC-125-30	Mach. Screw 4-40 x 3/8 Phil. Pan Hd. (SST).....	4
30	SC-129-33	Mach. Screw 8-32 x 3/8 Phil. Pan Hd.....	4
31	SD-015-38	Self-Tapping Screw 6-32 x 3/8 Phil. Pan Hd., Type TT.....	6
32	SD-019-23	Self-Tapping Screw 10-16 x 3/8 Phil. Pan Hd., Type B.....	9
33	SD-019-30	Self-Tapping Screw 4-24 x 5/8 Phil. Pan Hd., Type B.....	4
34	SD-035-77	Self-Tapping Screw 1/4-20 x 3/8 Phil. Pan Hd., Type TT.....	5
35	SD-040-07	Self-Tapping Screw 2-32 x 5/16.....	2
36	WL-007-15	Lockwasher 1/4 External Shakeproof.....	5
38	0F-011511	Label (L1, L2, L3).....	3
39	0F-041215	Label (TB5).....	1
40	0F-041149	Label (TB5 Connections).....	1
41	0F-041289	Label (TB6).....	1
42	0F-041277	Label (TB6 Connections).....	1
45	0F-041211	Label (TB1).....	1
48	0F-041291	Label (TB8).....	1
49	0F-011613	Label - Ground.....	5
50	FE-027-41	Fuse (4 Amp.).....	2
51	00-087714-042-3	Relay (2-Pole) (240 VAC).....	1



**BASEPLATE COMPONENTS
(CL64S) (BASE)**

**BASEPLATE COMPONENTS
(CL64S) (BASE)**

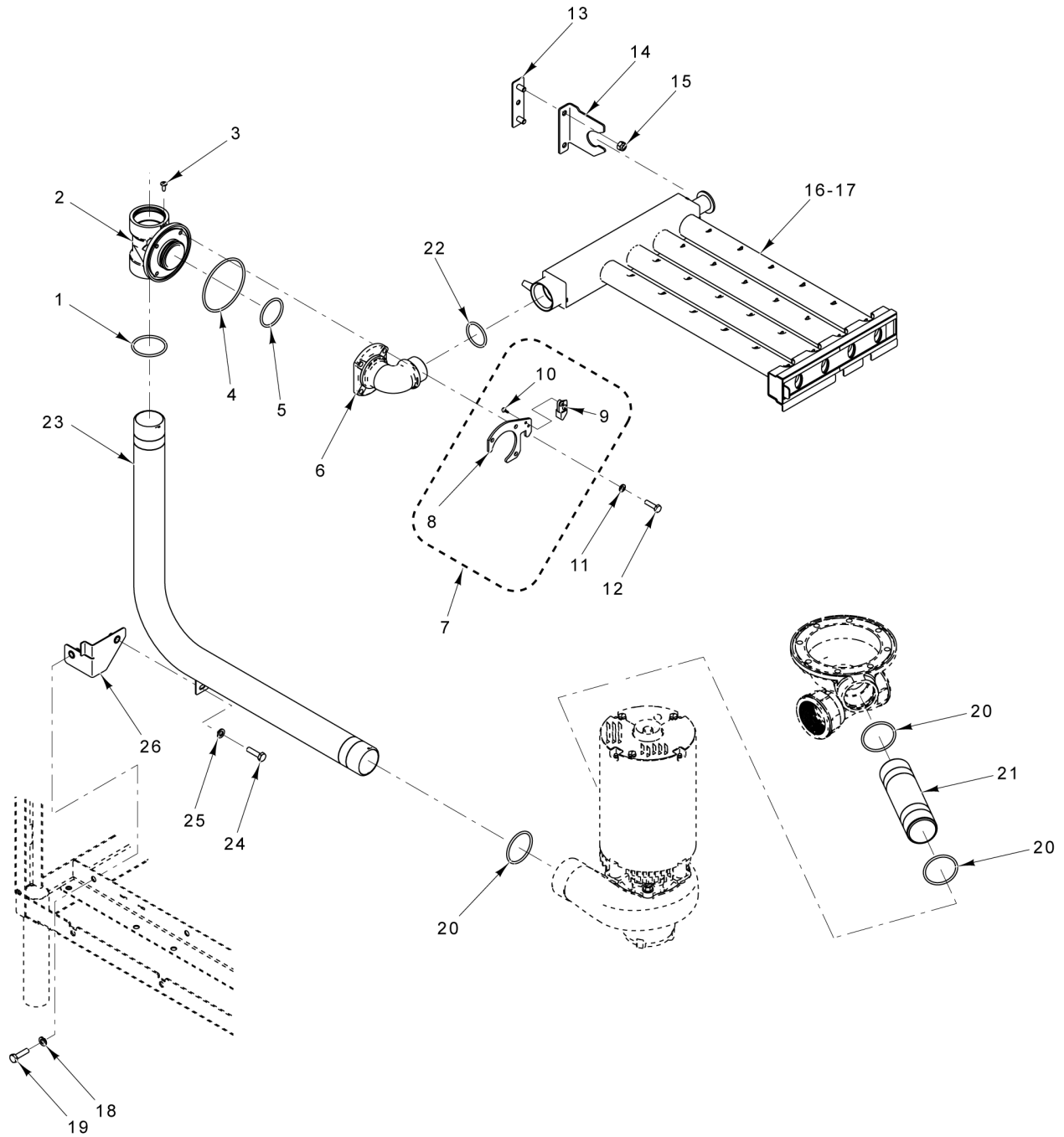
ILLUS. PL-62157	PART NO.	NAME OF PART	AMT.
1	00-047080-00011	Standoff #8-32 x 5/16.....	7
2	00-047080-00024	Standoff #4-40 x 1/2.....	4
3	00-087714-042-5	Relay (2-Pole, 30 Amp.).....	2
4	00-118544-00002	Lug - Grounding.....	4
5	00-118544-00003	Lug - Solderless.....	1
6	00-444428	Tie - Cable Releasable.....	AR
7	00-562526	Support - Control.....	1
8	00-562538-00004	Power Supply.....	1
9	00-562597-00002	Contact (20 Amp.).....	1
10	00-562597-00005	Contact (120 V., 50/60 Hz., 50 Amp.).....	3
12	00-562720-00001	Block - Terminal (2 CON) (Black).....	1
13	00-562720-00002	Block - Terminal (2 CON) (Red).....	1
14	00-562890	Block - Terminal (20 Amp.) (10 Pole).....	2
15	00-562892	Plate - End.....	1
16	00-562894	Block - Terminal (3-Pole).....	2
17	00-563724	Holder - Fuse.....	2
18	00-949047	Block - Terminal (175 Amp.).....	1
19	00-949145-00008	Rail - Din.....	1
20	00-949805-00002	Stop - End.....	2
21	00-975430-00001	Board - Control.....	1
22	00-975431	Board (Daughter).....	2
24	00-975433	Board (Daughter).....	1
26	01-605011	Baseplate.....	1
28	01-605275	Spacer.....	2
29	SC-125-30	Mach. Screw 4-40 x 3/8 Phil. Pan Hd. (SST).....	4
30	SC-129-33	Mach. Screw 8-32 x 3/8 Phil. Pan Hd.....	4
31	SD-015-38	Self-Tapping Screw 6-32 x 3/8 Phil. Pan Hd., Type TT.....	6
32	SD-019-23	Self-Tapping Screw 10-16 x 3/8 Phil. Pan Hd., Type B.....	9
33	SD-019-30	Self-Tapping Screw 4-24 x 5/8 Phil. Pan Hd., Type B.....	4
34	SD-035-77	Self-Tapping Screw 1/4-20 x 3/8 Phil. Pan Hd., Type TT.....	5
35	SD-040-07	Self-Tapping Screw 2-32 x 5/16.....	2
36	WL-007-15	Lockwasher 1/4 External Shakeproof.....	5
38	0F-011511	Label (L1, L2, L3).....	3
39	0F-041215	Label (TB5).....	1
40	0F-041149	Label (TB5 Connections).....	1
41	0F-041289	Label (TB6).....	1
45	0F-041211	Label (TB1).....	1
48	0F-041291	Label (TB8).....	1
49	0F-011613	Label - Ground.....	5
50	FE-027-41	Fuse (4 Amp.).....	2
51	00-087714-042-3	Relay (2-Pole) (240 VAC).....	1



**BASEPLATE COMPONENTS
(CL86S) (BASE)**

**BASEPLATE COMPONENTS
(CL86S) (BASE)**

ILLUS. PL-62158	PART NO.	NAME OF PART	AMT.
1	00-047080-00011	Standoff #8-32 x 5/16.....	7
2	00-047080-00024	Standoff #4-40 x 1/2.....	4
3	00-087714-042-5	Relay (2-Pole, 30 Amp.).....	2
4	00-118544-00002	Lug - Grounding.....	4
5	00-118544-00003	Lug - Solderless.....	1
6	00-444428	Tie - Cable Releasable.....	AR
7	00-562526	Support - Control.....	1
8	00-562538-00004	Power Supply.....	1
9	00-562597-00002	Contactor (20 Amp.).....	1
10	00-562597-00005	Contactor (120 V., 50/60 Hz., 50 Amp.).....	3
12	00-562720-00001	Block - Terminal (2 CON) (Black).....	1
13	00-562720-00002	Block - Terminal (2 CON) (Red).....	1
14	00-562890	Block - Terminal (20 Amp.) (10 Pole).....	2
15	00-562892	Plate - End.....	1
16	00-562894	Block - Terminal (3-Pole).....	2
17	00-563724	Holder - Fuse.....	2
18	00-949047	Block - Terminal (175 Amp.).....	1
19	00-949145-00008	Rail - Din.....	1
20	00-949805-00002	Stop - End.....	2
21	00-975430-00001	Board - Control.....	1
22	00-975431	Board (Daughter).....	2
24	00-975433	Board (Daughter).....	1
26	01-605011	Baseplate.....	1
28	01-605275	Spacer.....	2
29	SC-125-30	Mach. Screw 4-40 x 3/8 Phil. Pan Hd. (SST).....	4
30	SC-129-33	Mach. Screw 8-32 x 3/8 Phil. Pan Hd.....	4
31	SD-015-38	Self-Tapping Screw 6-32 x 3/8 Phil. Pan Hd., Type TT.....	6
32	SD-019-23	Self-Tapping Screw 10-16 x 3/8 Phil. Pan Hd., Type B.....	9
33	SD-019-30	Self-Tapping Screw 4-24 x 5/8 Phil. Pan Hd., Type B.....	4
34	SD-035-77	Self-Tapping Screw 1/4-20 x 3/8 Phil. Pan Hd., Type TT.....	5
35	SD-040-07	Self-Tapping Screw 2-32 x 5/16.....	2
36	WL-007-15	Lockwasher 1/4 External Shakeproof.....	5
38	0F-011511	Label (L1, L2, L3).....	3
39	0F-041215	Label (TB5).....	1
40	0F-041149	Label (TB5 Connections).....	1
41	0F-041289	Label (TB6).....	1
42	0F-041277	Label (TB6 Connections).....	1
45	0F-041211	Label (TB1).....	1
48	0F-041291	Label (TB8).....	1
49	0F-011613	Label - Ground.....	5
50	FE-027-41	Fuse (4 Amp.).....	2
51	00-087714-042-3	Relay (2-Pole) (240 VAC).....	1

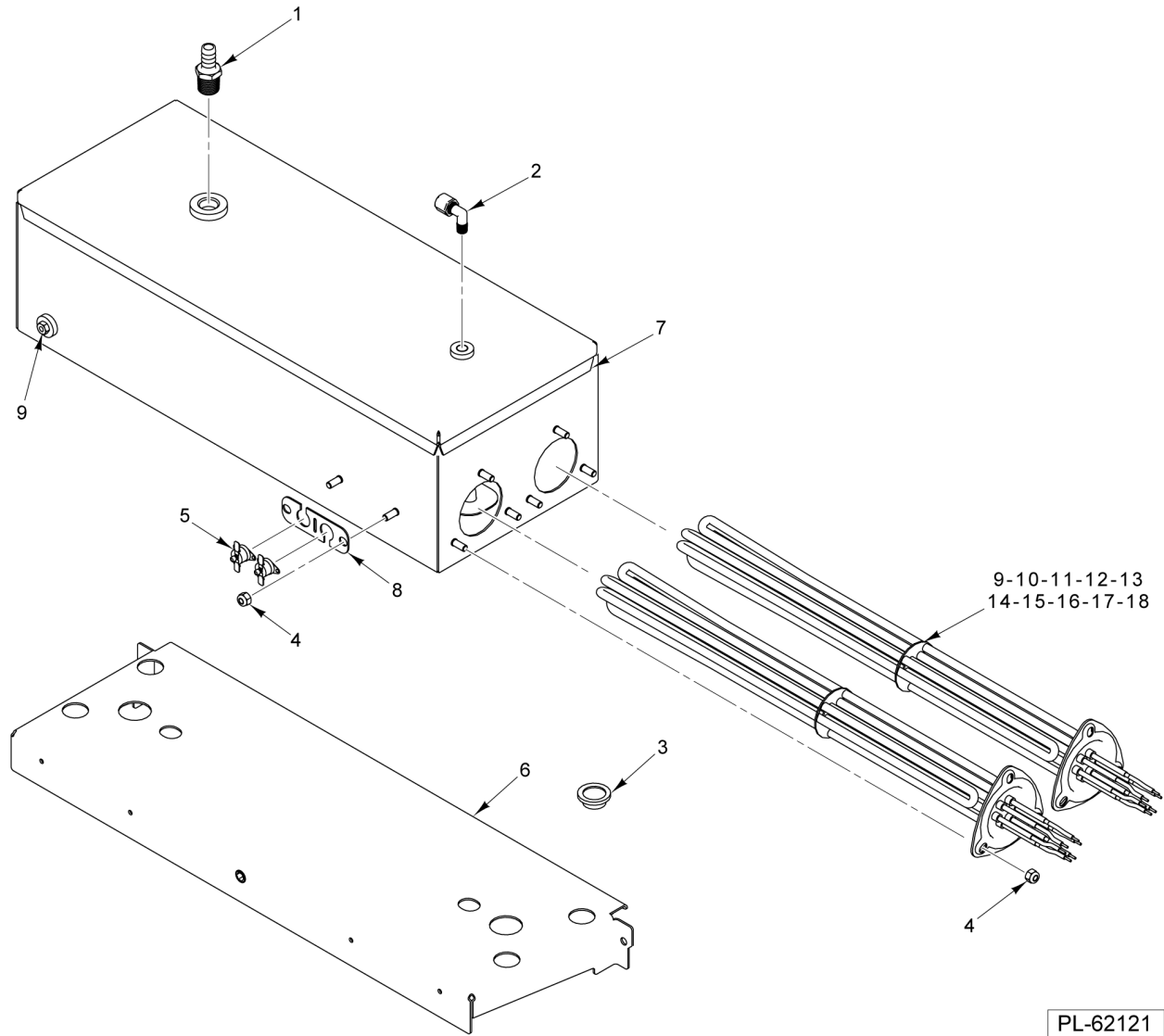


PL-62120

LOWER WASH ARM

LOWER WASH ARM

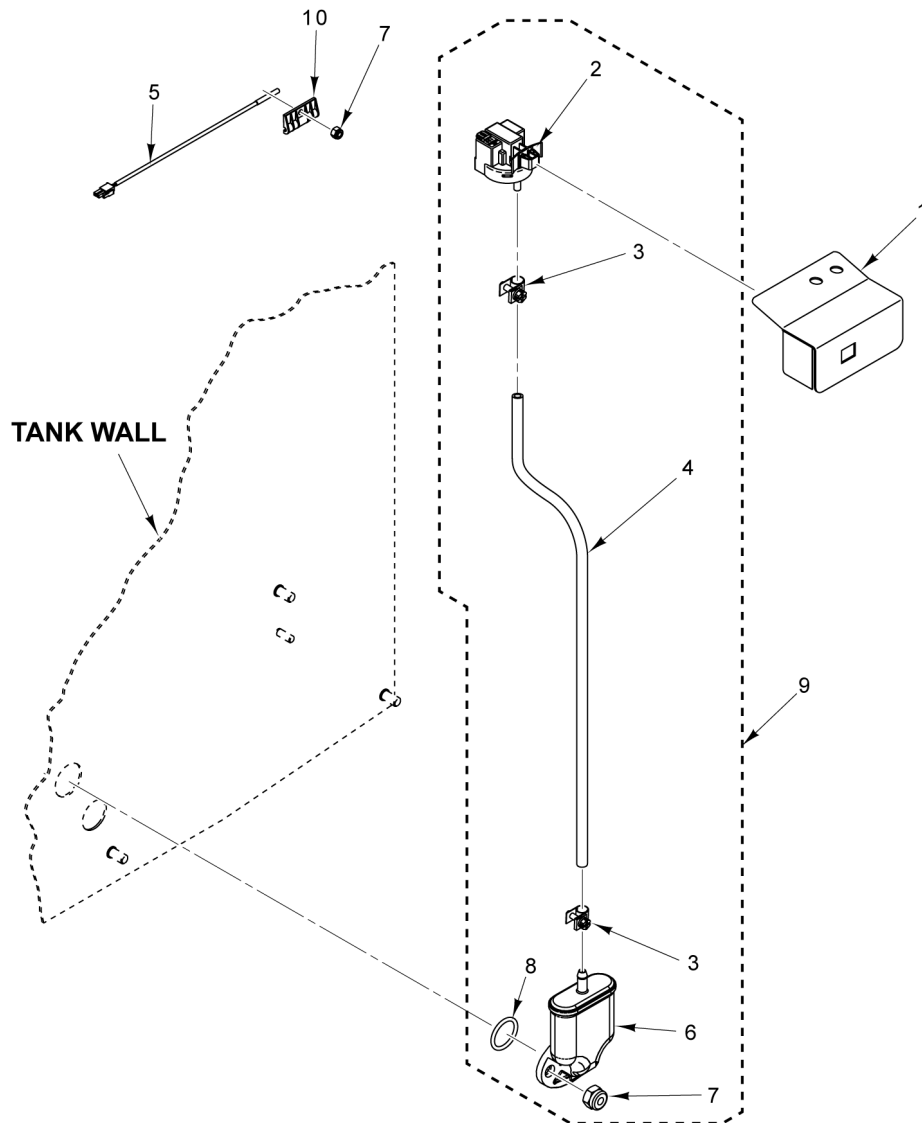
ILLUS. PL-62120	PART NO.	NAME OF PART	AMT.
1	00-067500-00057	O-Ring.....	1
2	00-919663-00002	Manifold - Tee.....	1
3	SD-038-84	Self-Tapping Screw 10-24 x 1/2 Phil. Truss Hd., Type F (SST).....	1
4	00-067500-00132	O-Ring.....	1
5	00-067500-00019	O-Ring.....	1
6	00-919926	Manifold - Elbow.....	1
7	00-936222	Cam Plate Assy. (Incls. Items 8, 9, & 10).....	1
8	00-936168	Plate - Adjuster.....	1
9	00-936166	Block - Wear.....	1
10	00-893777-00001	Self-Tapping Screw (Thread Forming).....	2
11	WL-006-17	Lockwasher 1/4 Helical (SST).....	4
12	SC-041-02	Cap Screw 1/4-20 x 1 Hex Hd. (SST).....	4
13	00-936202	Plate - Mounting.....	1
14	00-919931	Bracket - Guide (Wash Arm).....	1
15	NS-036-19	Stop Nut 5/16-18 Hex Special (SST).....	2
16	00-563425-00001	Arm - Lower Wash (R-L).....	1
17	00-563425-00002	Arm - Lower Wash (L-R).....	1
18	WL-006-17	Lockwasher 1/4 Helical (SST).....	1
19	SC-041-50	Cap Screw 1/4-20 x 1/2 Hex Hd. (SST).....	1
20	00-067500-00057	O-Ring.....	3
21	00-919738-00003	Tube - Feed.....	1
22	00-067500-00014	O-Ring.....	1
23	00-935979	Tube - Feed.....	1
24	SC-041-50	Cap Screw 1/4-20 x 1/2 Hex Hd. (SST).....	1
25	WL-006-17	Lockwasher 1/4 Helical (SST).....	1
26	00-936368-00001	Bracket Assy. - Pump Mount.....	1



ELECTRIC BOOSTER

ELECTRIC BOOSTER

ILLUS.	PART NO.	NAME OF PART	AMT.
PL-62121			
1	FP-090-65	Fitting - Barb.....	1
2	FP-087-46	Fitting - Tube 1/4.....	1
3	FP-022-40	Bushing - Snap.....	2
4	NS-047-82	Stop Nut 1/4-20 Hex (SST).....	AR
5	00-294615-00002	Control - Temperature.....	4
6	00-563597	Bracket - Support.....	1
7	00-563846	Tank - Booster Assy.....	1
8	00-563149	Bracket - High Limit.....	2
9	00-563582-00001	Element - Heating (9000 W. 208 V.) (CL44/66).....	2
10	00-563582-00002	Element - Heating (9000 W. 240 V.).....	2
11	00-563582-00003	Element - Heating (9000 W. 380 V.).....	2
12	00-563582-00005	Element - Heating (9000 W. 480 V.).....	2
13	00-563582-00006	Element - Heating (9000 W. 600 V.).....	2
14	00-563582-00007	Element - Heating (12000 W. 208 V.).....	2
15	00-563582-00008	Element - Heating (12000 W. 240 V.).....	2
16	00-563582-00009	Element - Heating (12000 W. 380 V.).....	2
17	00-563582-00011	Element - Heating (12000 W. 480 V.).....	2
18	00-563582-00012	Element - Heating (12000 W. 600 V.).....	2



PL-62088

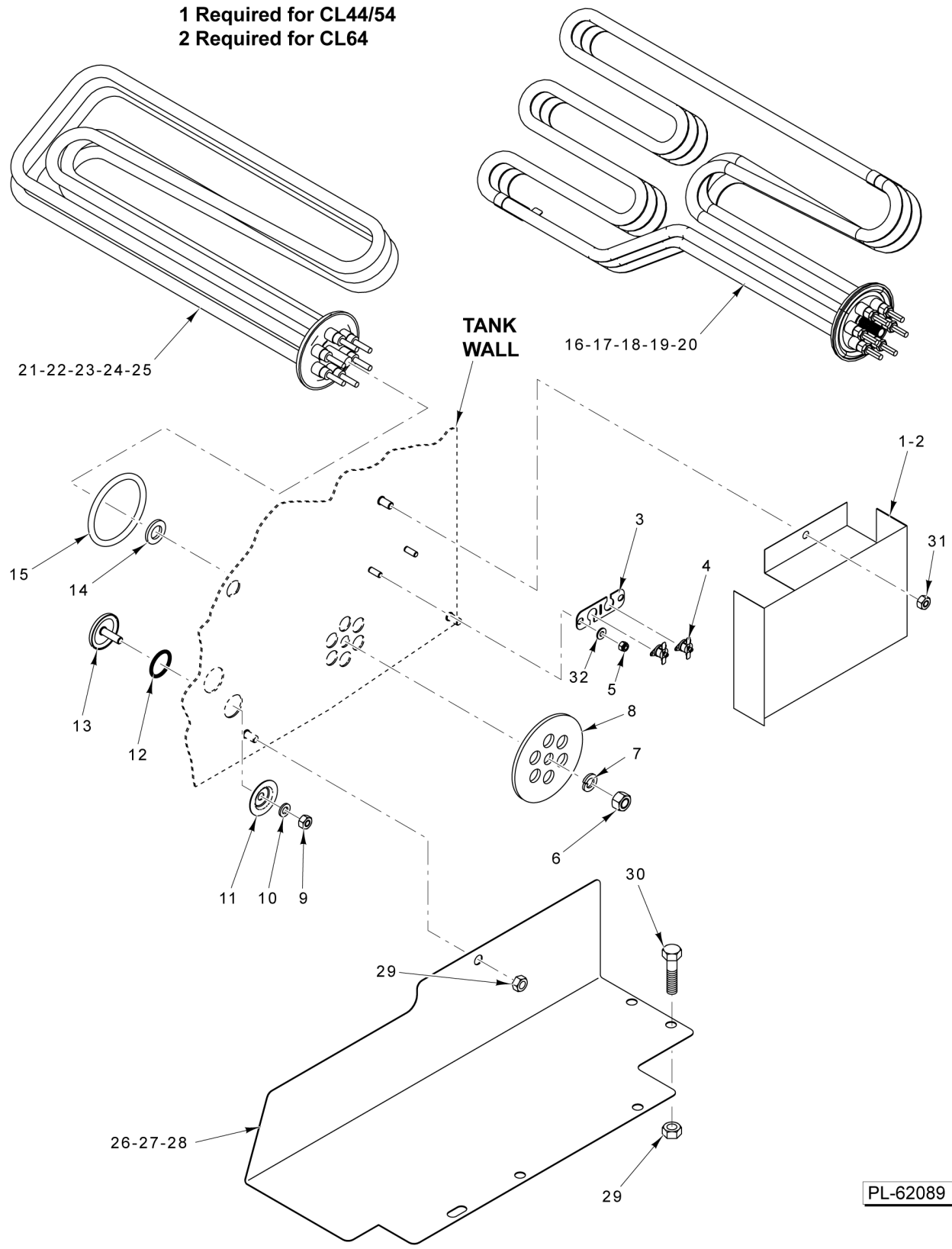
**AIR TRAP AND TANK SENSORS
(TANK 1)**

AIR TRAP AND TANK SENSORS (TANK 1)

ILLUS. PL-62088	PART NO.	NAME OF PART	AMT.
1	00-974882	Bracket - Pressure Sensor.....	1
2	01-539157-00001	Sensor - Pressure.....	1
3	00-113156-00001	Clamp - Spring Action Hose.....	2
*4	00-562965-00005	Tube - PVC.....	1
5	00-775612-00001	Sensor - Temperature.....	1
6	00-942151-00001	Trap - Air.....	1
7	NS-047-82	Stop Nut 1/4-20 Hex (SST).....	2
8	OR-001-21	O-Ring.....	1
9	00-563609	Kit - Tubing, Metalflex Sensor (Incls. Items 2, 3, 4, 6, 7, & 8).....	1
10	01-297719-00001	Bracket - Temp. Sensor.....	1
11	00-974286	Harness - Pressure Sensor.....	1

* Use 00-562965-00002 for Electric Booster

1 Required for CL44/54
2 Required for CL64

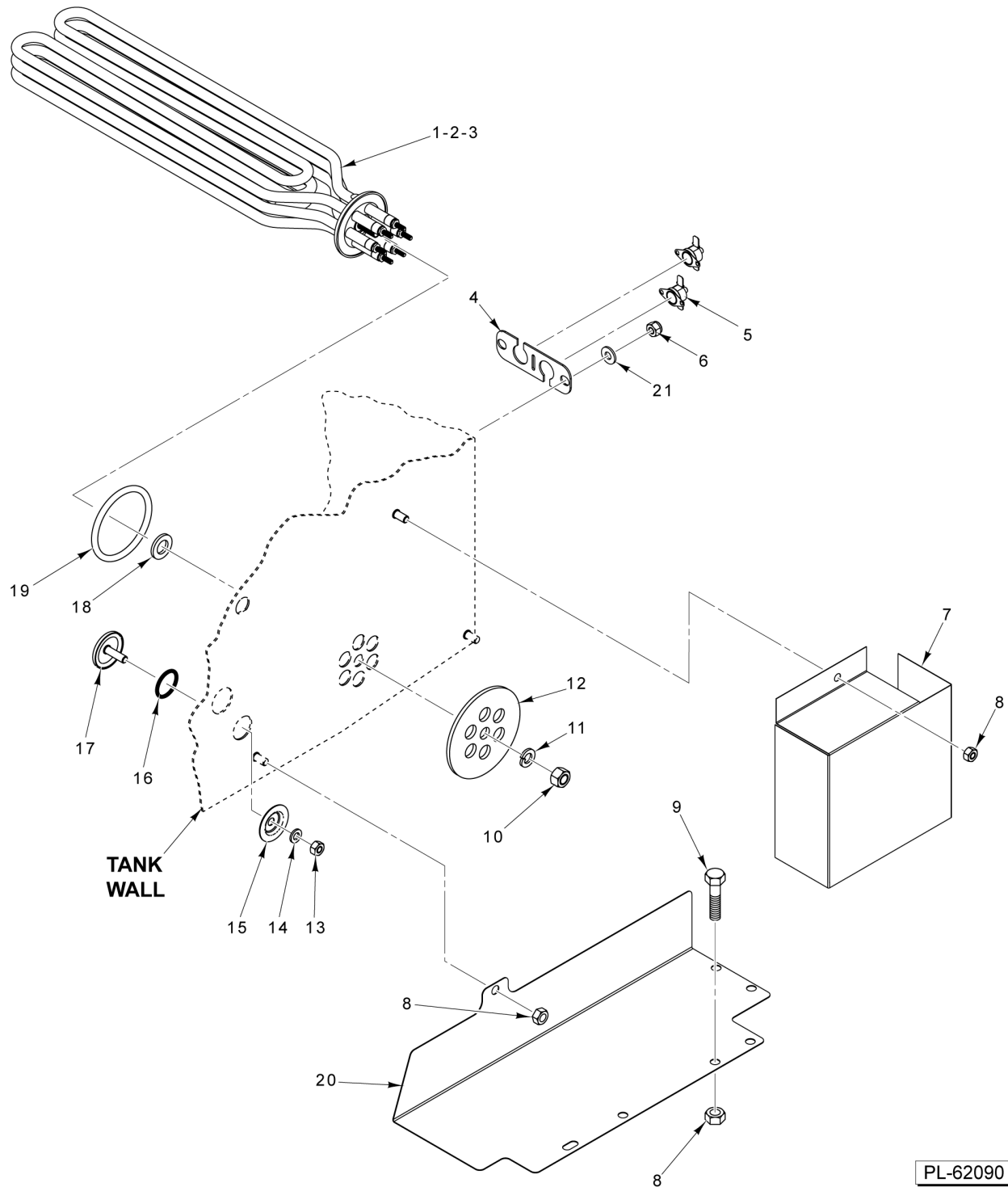


PL-62089

ELECTRIC HEAT

ELECTRIC HEAT

ILLUS. PL-62089	PART NO.	NAME OF PART	AMT.
1	00-936634	Barrier - Mylar (Tank 1).....	1
2	00-936229	Barrier - Mylar.....	1
3	00-563149	Bracket - High Limit.....	1
4	00-294615-00002	Control - Temperature.....	1
5	NS-047-82	Stop Nut 1/4-20 Hex (SST).....	2
6	NS-014-15	Nut 3/8-16 (Brass) (Supplied With Heater).....	1
7	WL-006-27	Lockwasher 3/8 Helical (SST).....	1
8	00-919523	Heat Plate - Electric.....	1
9	NS-015-01	Nut 1/4-20 Hex (SST).....	1
10	WL-006-17	Lockwasher 1/4 Helical (SST).....	1
11	00-119254	Retainer - Cap & Stud.....	1
12	00-067500-00031	O-Ring.....	1
13	00-119244-00002	Cap & Stud Assembly.....	1
14	WS-018-04	Washer (SST).....	1
15	00-067500-00034	O-Ring.....	1
16	00-974568-00001	Element - Heater (15 kW, 200 V.) (CL44/54eN & CL64eN Wash Tank).....	1
17	00-974568-00002	Element - Heater (15 kW, 220 V.) (CL44/54eN & CL64eN Wash Tank).....	1
18	00-974568-00003	Element - Heater (15 kW, 380 V.) (CL44/54eN & CL64eN Wash Tank).....	1
19	00-974568-00004	Element - Heater (15 kW, 440 V.) (CL44/54eN & CL64eN Wash Tank).....	1
20	00-974568-00005	Element - Heater (15 kW, 600 V.) (CL44/54eN & CL64eN Wash Tank).....	1
21	00-936333-00001	Element - Heater (10 kW, 200 V.) (CL64eN Rinse Tank).....	1
22	00-936333-00002	Element - Heater (10 kW, 220 V.) (CL64eN Rinse Tank).....	1
23	00-936333-00003	Element - Heater (10 kW, 380 V.) (CL64eN Rinse Tank).....	1
24	00-936333-00004	Element - Heater (10 kW, 440 V.) (CL64eN Rinse Tank).....	1
25	00-936333-00005	Element - Heater (10 kW, 600 V.) (CL64eN Rinse Tank).....	1
26	00-936106	Panel - Bottom (Rinse) (R-L & L-R) (CL64eN).....	1
27	00-935871	Panel - Bottom (L-R) (CL44/54eN & CL64eN Wash Tank).....	1
28	00-974363	Panel - Bottom (R-L) (DWER) (CL44/54eN & CL64eN Wash Tank).....	1
29	NS-031-19	Stop Nut 1/4-20 Hex (SST).....	AR
30	SC-041-05	Cap Screw 1/4-20 x 5/8 Hex Hd. (SST).....	2
31	NS-031-19	Stop Nut 1/4-20 Hex (SST).....	1
32	WS-017-06	Washer (SST).....	2

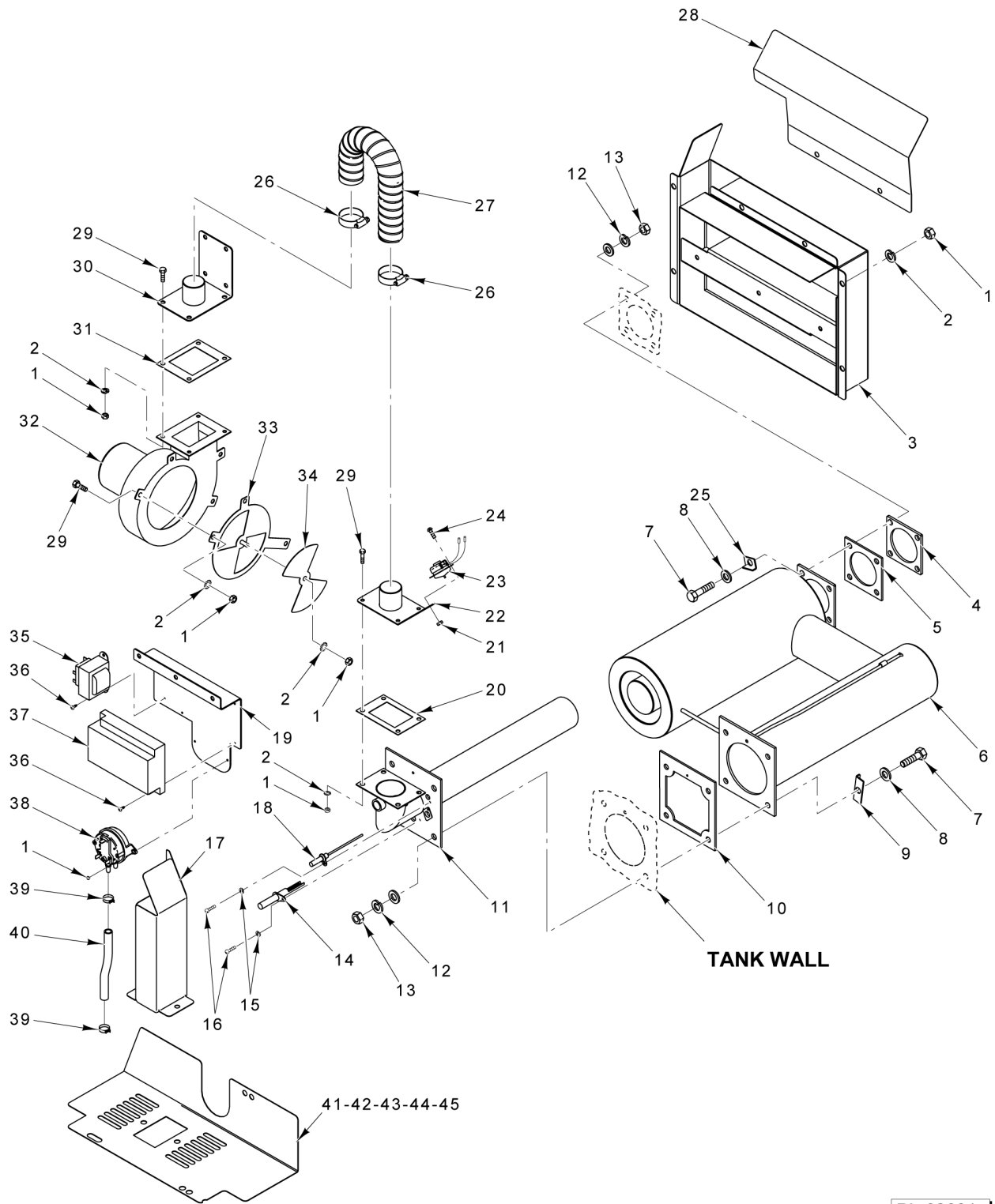


PL-62090

ELECTRIC HEAT (CLENVL)

ELECTRIC HEAT (CLENVL)

ILLUS.	PART NO.	NAME OF PART	AMT.
1	00-562099-00001	Heater - 9 kW (208 V.).....	1
2	00-562099-00002	Heater - 9 kW (240 V.).....	1
3	00-562099-00004	Heater - 9 kW (480 V.).....	1
4	00-563149	Bracket - High Limit.....	1
5	00-294615-00002	Control - Temperature.....	1
6	NS-047-82	Stop Nut 1/4-20 Hex (SST).....	2
7	00-562831	Barrier - Mylar.....	1
8	NS-031-19	Stop Nut 1/4-20 Hex (SST).....	AR
9	SC-041-05	Cap Screw 1/4-20 x 5/8 Hex Hd. (SST).....	2
10	NS-014-15	Nut 3/8-16 (Brass) (Supplied With Heater).....	1
11	WL-006-27	Lockwasher 3/8 Helical (SST).....	1
12	00-919523	Heat Plate - Electric.....	1
13	NS-015-01	Nut 1/4-20 Hex (SST).....	1
14	WL-006-17	Lockwasher 1/4 Helical (SST).....	1
15	00-119254	Retainer - Cap & Stud.....	1
16	00-067500-00031	O-Ring.....	1
17	00-119244-00002	Cap & Stud Assembly.....	1
18	WS-018-04	Washer (SST).....	1
19	00-067500-00034	O-Ring.....	1
20	00-562827	Panel - Bottom.....	1
21	WS-017-06	Washer (SST).....	2

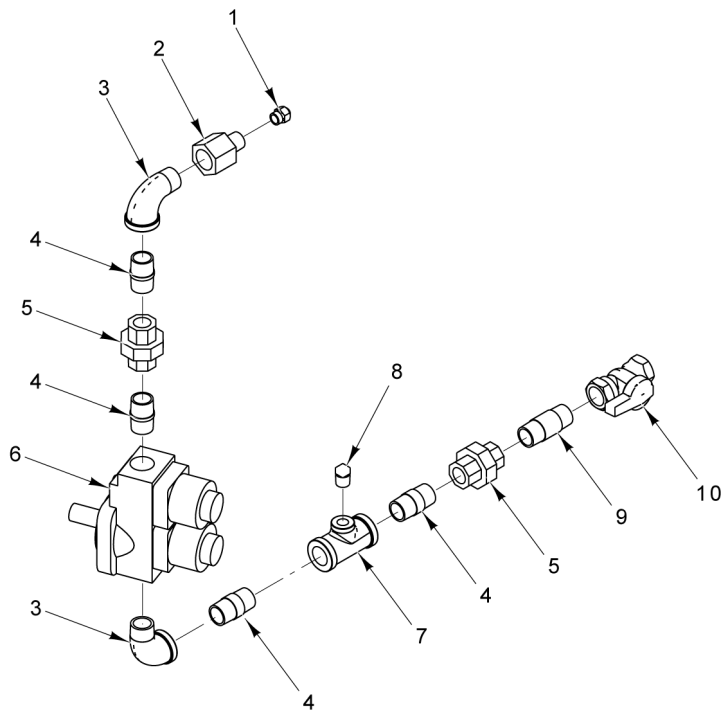


PL-62091

GAS HEAT COMPONENTS

GAS HEAT COMPONENTS

ILLUS.	PART NO.	NAME OF PART	AMT.
PL-62091			
1	NS-031-21	Stop Nut 1/4-20 Hex (SST).....	AR
2	WL-014-10	Lockwasher 1/4 External Shakeproof (SST).....	AR
3	00-919455	Shroud Assy.....	1
4	00-936757	Flange - Exhaust Mounting.....	1
5	00-919457	Gasket - Immersion Tube.....	1
6	00-919470	Tube - Immersion.....	1
7	SC-041-31	Cap Screw 3/8-16 x 1-1/4 Hex Hd. (SST).....	8
8	WS-028-22	Washer (SST).....	16
9	00-936585	Stop - Hex Head.....	4
10	00-919456	Gasket - Immersion Tube.....	1
11	00-919458	Burner - Infrared.....	1
12	WL-006-28	Lockwasher 3/8 Helical (SST).....	8
13	NS-015-13	Nut 3/8-16 Hex (SST).....	8
14	00-748571-00002	Ignitor (With Terminals).....	1
15	WL-006-02	Lockwasher #8 Helical (SST).....	2
16	SC-021-13	Mach. Screw 8-32 x 1/4 Slotted Rd. Hd. (SST).....	2
17	00-936636	Tube - Gas Intake.....	1
18	00-748572	Electrode Assy.....	1
19	00-919355	Plate - Base (Under Tank).....	1
20	00-919922	Seal - Blower.....	1
21	NS-031-50	Stop Nut 6-32 Hex (SST).....	2
22	00-919475	Plate - Air Tube Weldment.....	1
23	00-271123	Protector - High Limit.....	1
24	SC-021-08	Mach. Screw 6-32 x 3/8 Slotted Rd. Hd. (SST).....	2
25	00-892710	Stop - Hex Hd.....	4
26	00-557579	Clamp.....	2
27	00-919930	Tube - Blower Intake.....	1
28	00-936753	Rail - Deflector.....	1
29	SC-041-05	Cap Screw 1/4-20 x 5/8 Hex Hd. (SST).....	11
30	00-919480	Mount - Blower Weldment.....	1
31	00-919923	Seal - Blower.....	1
32	00-919892	Blower - Gas.....	1
33	00-919916	Intake - Air Weldment.....	1
34	00-919917	Plate - Air Intake Adjuster.....	1
35	00-294500-040-1	Transformer (30 VA, 50/60 Hz.).....	1
36	SD-038-02	Self-Tapping Screw 6-20 x 5/8 Phil. Pan Hd., Type B.....	2
37	00-748512	Board - Ignitor (24 VAC).....	1
38	00-918116-00001	Switch - Air.....	1
39	00-113156-00001	Clamp - Spring Action Hose.....	2
40	00-814754-00001	Tube - Rubber.....	1
41	00-936665	Panel - Bottom (R-L) (CL44/54eN; CL64eN RH Tank).....	1
42	00-936667	Panel - Bottom (L-R) (CL44/54eN; CL64eN RH Tank).....	1
43	00-936663	Panel - Bottom (CL64eN LH Tank).....	1
44	00-974402	Panel - Bottom (R-L) (DWER) (CL44/54eN Tank).....	1
45	00-974465	Panel - Bottom (R-L) (DWER) (CL64eN Tank).....	1

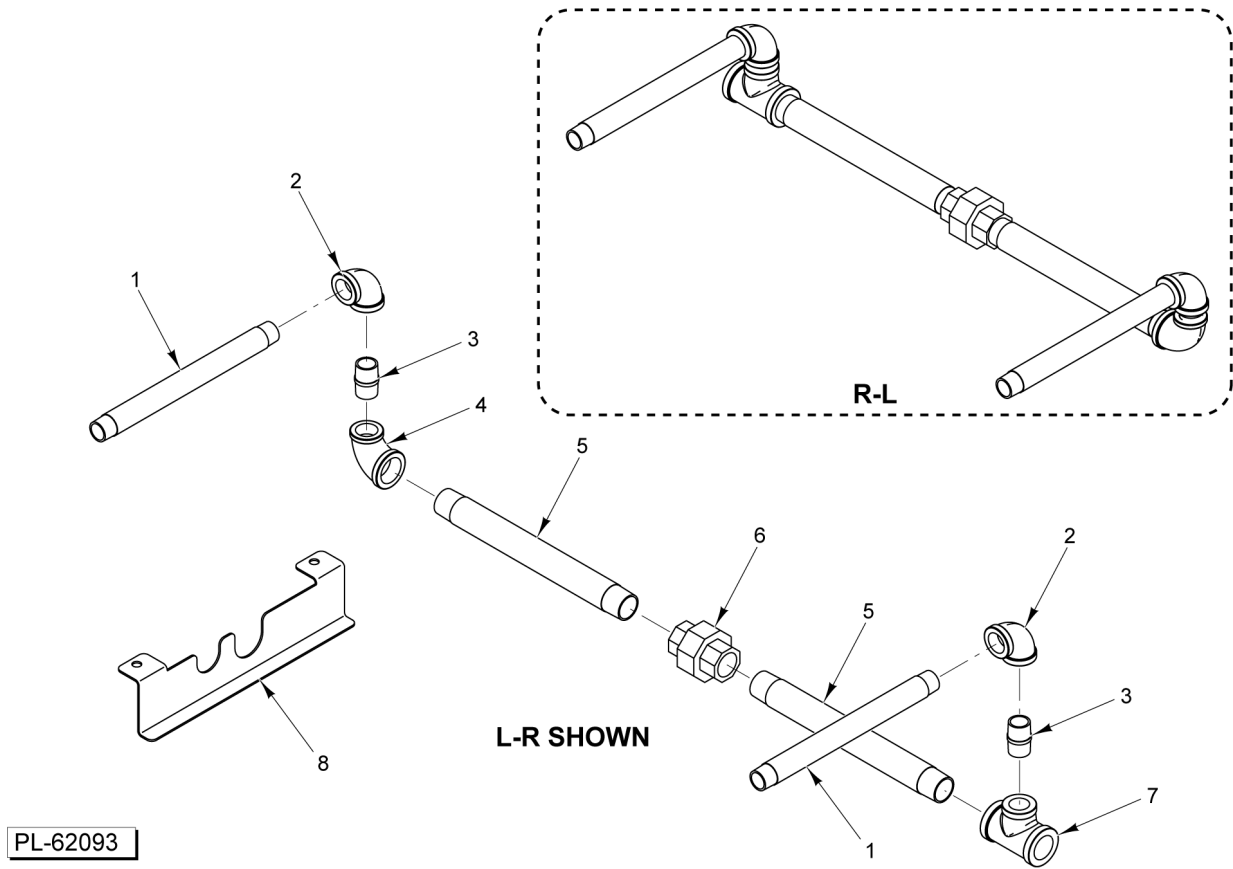


PL-62092

GAS HEAT PIPING

GAS HEAT PIPING

ILLUS.	PART NO.	NAME OF PART	AMT.
PL-62092			
1	00-893149-00003	Orifice (NAT).....	1
2	00-893132	Adapter 1/2 to 7/16-20.....	1
3	FP-013-17	Elbow - Street 1/2 x 90 Deg.....	2
4	FP-035-91	Pipe 1/2 x 1-1/8 TBE.....	4
5	FP-022-11	Union - Pipe.....	2
6	00-328426-00004	Valve - Regulator (NAT).....	1
7	FP-084-31	Tee Pipe 1/2 x 1/2 x 1/4.....	1
8	FP-028-06	Pipe Plug 1/4 Sq. Hd.....	1
9	FP-035-96	Pipe 1/2 x 2-1/2 TBE.....	1
10	00-291988-00003	Valve - Gas (Shut Off).....	1



COMMON GAS PIPING (CL64EN)

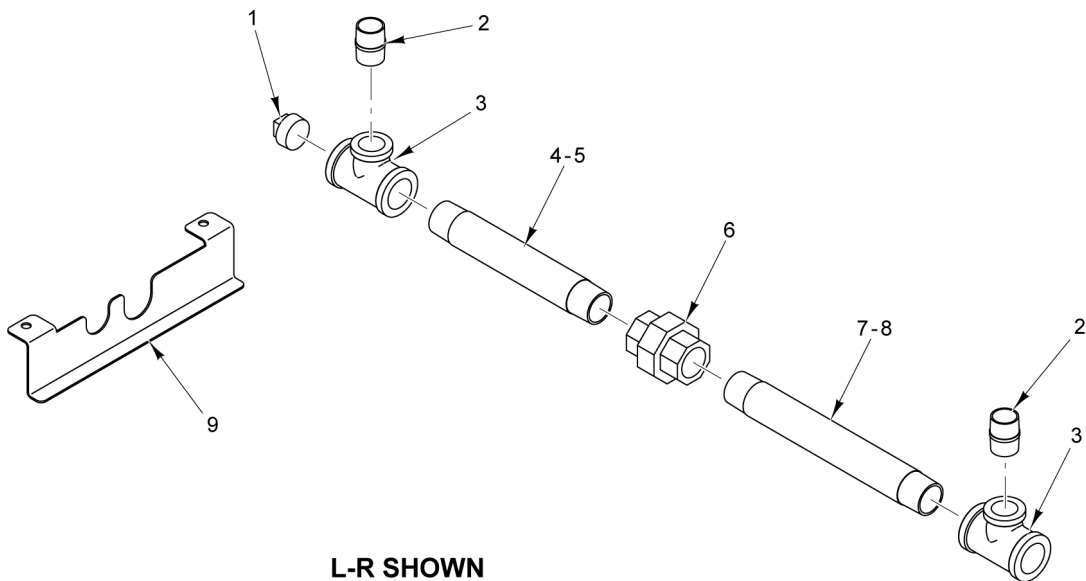
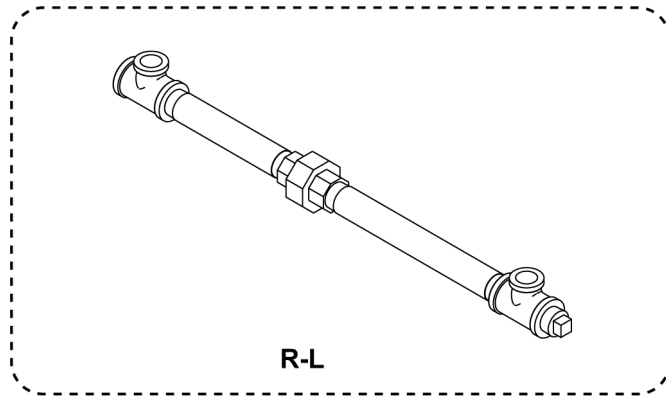
COMMON GAS PIPING (CL64EN)

ILLUS.	PART NO.	NAME OF PART	AMT.
PL-62093			
1	FP-059-87	Pipe 1/2 x 8-1/2 TBE.....	2
2	FP-013-15	Elbow - Pipe 1/2 x 90 Deg.....	2
3	FP-059-61	Pipe 1/2 x 1-1/4 TBE.....	2
4	FP-078-89	Elbow - Reducing 3/4 x 1/2.....	1
5	FP-080-75	Pipe 3/4 x 9 TBE.....	2
6	FP-022-17	Union 3/4 (Grd. Seat).....	1
7	FP-019-33	Tee - Pipe 3/4 x 3/4 x 1/2.....	1
8	00-936630	Support - Piping.....	1

STEAM COIL AND INLET PIPING

ILLUS.	PART NO.	NAME OF PART	AMT.
PL-62094			
1	00-919973	Coil - Steam Weldment.....	1
2	00-067500-00019	O-Ring.....	2
3	WS-013-45	Washer (SST).....	2
4	FP-053-09	Lock Nut 3/4 NPSL (SST).....	2
5	FP-022-17	Union 3/4 (Grd. Seat).....	AR
6	FP-078-86	Elbow - Street 3/4 x 90 Deg.....	4
7	FP-059-14	Pipe 3/4 x 4-1/2 TBE.....	AR
8	FP-013-22	Elbow Pipe 3/4 x 90 Deg.....	1
9	FP-036-05	Pipe 3/4 x 3 TBE.....	1
10	00-118317	Steam Trap (21-50 PSI).....	1
*11	00-186922	Strainer - Line (3/4 In.) (Brass) (Kitz) (Incls. Items 12, 13, & 14) (Alternate to Item 25)	1
12	00-186923	Plug - Branch.....	1
13	00-186924	Gasket - Branch Plug.....	1
14	00-186925	Screen - Line Strainer.....	1
15	FP-036-92	Pipe 3/4 x 1-3/8 TBE (Black).....	1
16	00-892004-00002	Valve - Solenoid (3/4) (Parker) (Incls. Item 17).....	1
17	00-892363-00002	Coil - Solenoid Valve (110 - 120 V.) (Parker).....	1
18	00-892072	Kit - 3/4 In. Valve Service.....	1
19	FP-036-92	Pipe 3/4 x 1-3/8 TBE (Black).....	1
20	00-936664	Panel - Bottom (R-L) (CL44/54eN; CL64 RH Tank).....	1
21	00-936666	Panel - Bottom (L-R) (CL44/54eN; CL64 RH Tank).....	1
22	00-936662	Panel - Bottom (CL64 LH Tank).....	1
23	00-974376	Panel - Bottom (R-L) (DWER) (CL44/54eN Tank).....	1
24	00-974464	Panel - Bottom (R-L) (DWER) (CL64eN Tank).....	1
*25	00-186922	Strainer - Line (3/4 In.) (Brass) Apollo / Conbraco (Incls. Items 26, 27, & 28) (Alternate to Item 11).....	1
26	00-749802-00001	Cap.....	1
27	00-749802-00002	Gasket.....	1
28	00-749802-00003	Screen (80 Mesh).....	1
29	FP-013-20	Elbow 3/4 x 45 Deg.....	1
30	FP-036-02	Pipe 3/4 x 2-1/2 TBE.....	1
31	FP-013-22	Elbow Pipe 3/4 x 90 Deg.....	1

* Kitz line strainer is approx. 1/4" shorter than Apollo / Conbraco.



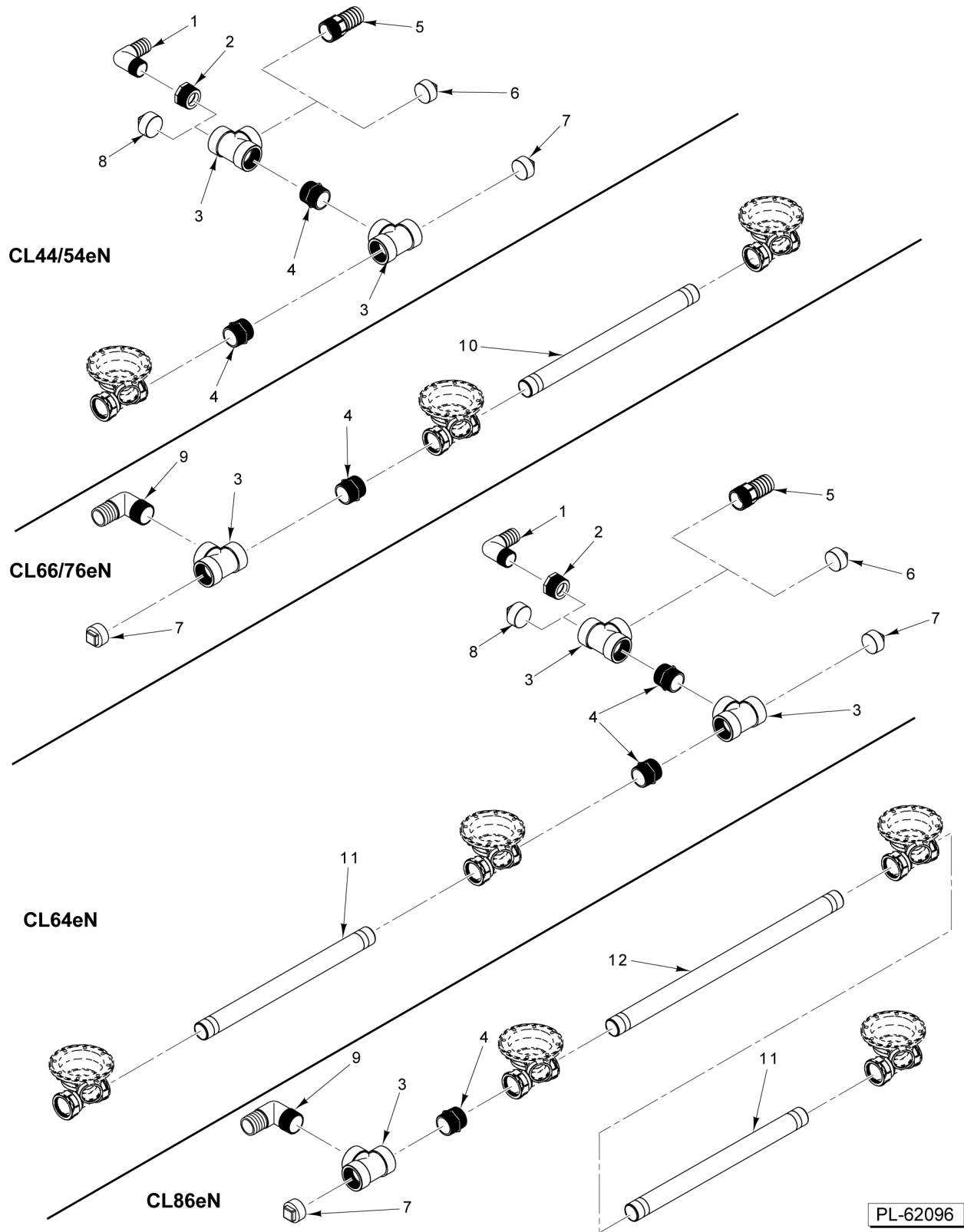
PL-62095

L-R SHOWN

COMMON STEAM PIPING (CL64EN)

COMMON STEAM PIPING (CL64EN)

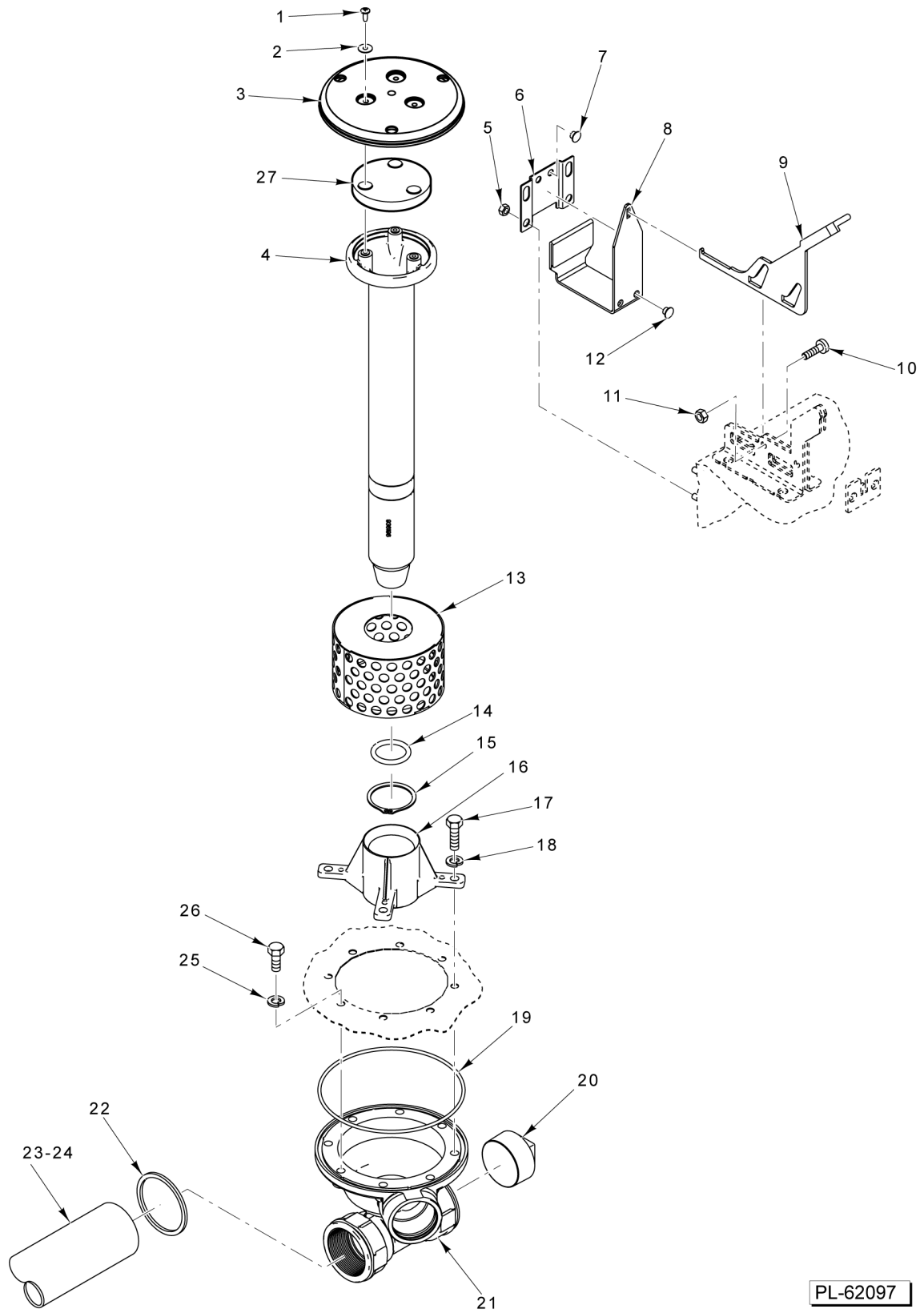
ILLUS.	PART NO.	NAME OF PART	AMT.
PL-62095			
1	FP-028-21	Plug - Pipe 1 Sq. Hd.....	1
2	FP-036-92	Pipe 3/4 x 1-3/8 TBE (Black).....	2
3	FP-019-42	Tee - Pipe 1 x 1 x 3/4.....	2
4	FP-059-72	Pipe 1 x 8-1/2 TBE (L-R).....	1
5	FP-059-67	Pipe 1 x 9-1/2 TBE (R-L).....	1
6	FP-022-23	Union - Pipe (1 In.).....	1
7	FP-059-72	Pipe 1 x 8-1/2 TBE (L-R).....	1
8	FP-059-67	Pipe 1 x 9-1/2 TBE (R-L).....	1
9	00-936630	Support - Piping.....	1



DRAIN PIPING (TEMPERING)

DRAIN PIPING (TEMPERING)

ILLUS.	PART NO.	NAME OF PART	AMT.
PL-62096			
1	FP-092-27	Elbow - Barb (1-1/2 In.) MNPT (Units with DWER).....	AR
2	FP-092-21	Bushing - Reducing 2 to 1-1/2 (Units with DWER).....	AR
3	FP-092-23	Tee - Pipe 2 x 2 x 2.....	AR
4	FP-092-22	Pipe - Hex (2 In.).....	AR
5	FP-092-24	Fitting - Barb (2 In.) NPT (Units with ASR).....	AR
6	FP-028-32	Pipe Plug 2 In. Sq. Hd. (Units with DWER).....	AR
7	FP-028-32	Pipe Plug 2 In. Sq. Hd.....	AR
8	FP-028-32	Pipe Plug 2 In. Sq. Hd. (Units without DWER).....	AR
9	FP-092-26	Elbow - Barb (2 In.) MNPT.....	AR
10	00-919738-00004	Tube - Drain to Drain (25 In.).....	AR
11	00-919738-00005	Tube - Drain To Drain (18-13/16 In.).....	AR
12	00-919738-00006	Tube - Drain To Drain (23-15/16 In.).....	AR

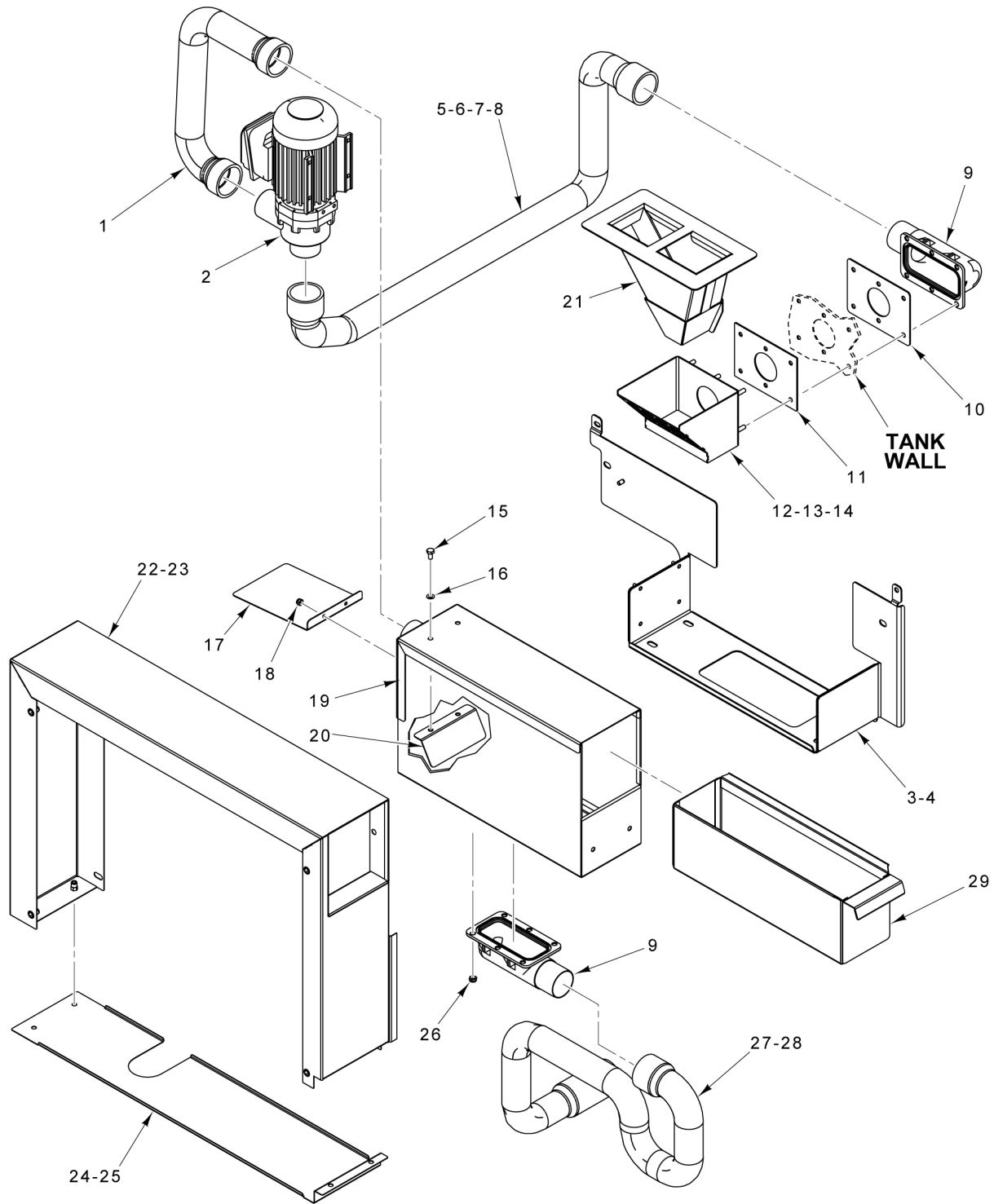


PL-62097

DRAIN (TANK)

DRAIN (TANK)

ILLUS.	PART NO.	NAME OF PART	AMT.
PL-62097			
1	SD-038-84	Self-Tapping Screw 10-24 x 1/2 Phil. Truss Hd., Type F (SST).....	3
2	WS-017-06	Washer (SST).....	3
3	00-936738	Cover - Standpipe.....	1
4	00-936196	Tube - Overflow.....	1
5	NS-031-19	Stop Nut 1/4-20 Hex (SST).....	4
6	00-919790	Guide - Lift.....	1
7	00-936372	Button - Wear.....	2
8	00-974409	Lift - Guide.....	1
9	00-563681	Link - Lift.....	1
10	SC-130-42	Shoulder Screw 5/16 Dia. 1/4-20 x 1/2 Socket Hex Hd. (SST).....	2
11	NS-047-82	Stop Nut 1/4-20 Hex (SST).....	2
12	00-936372	Button - Wear.....	2
13	00-936223	Strainer - Overflow Weldment.....	1
14	00-067500-00120	O-Ring.....	1
15	RR-012-37	Retaining Ring.....	1
16	00-936247	Guide - Standpipe.....	1
17	SC-041-11	Cap Screw 5/16-18 x 3/4 Hex Hd. (SST).....	4
18	WS-017-08	Washer (0.328 x 0.625 x 0.062) (SST).....	4
19	00-067500-00136	O-Ring.....	1
20	00-936767	Pipe Plug 2 In. Sq. Hd.....	1
21	00-919725	Drain.....	1
22	00-067500-00057	O-Ring.....	2
23	00-919738-00005	Tube - Drain To Drain (18-13/16 In.).....	1
24	00-919738-00006	Tube - Drain To Drain (23-15/16 In.).....	1
25	WL-006-23	Lockwasher 5/16 Helical (SST).....	4
26	SC-041-10	Cap Screw 5/16-18 x 5/8 Hex Hd. (SST).....	4
27	00-936788	Seal - Standpipe Cover (Power Rinse Tank on CL64/86eN) (Wash Tank on CL66/76eN).....	1

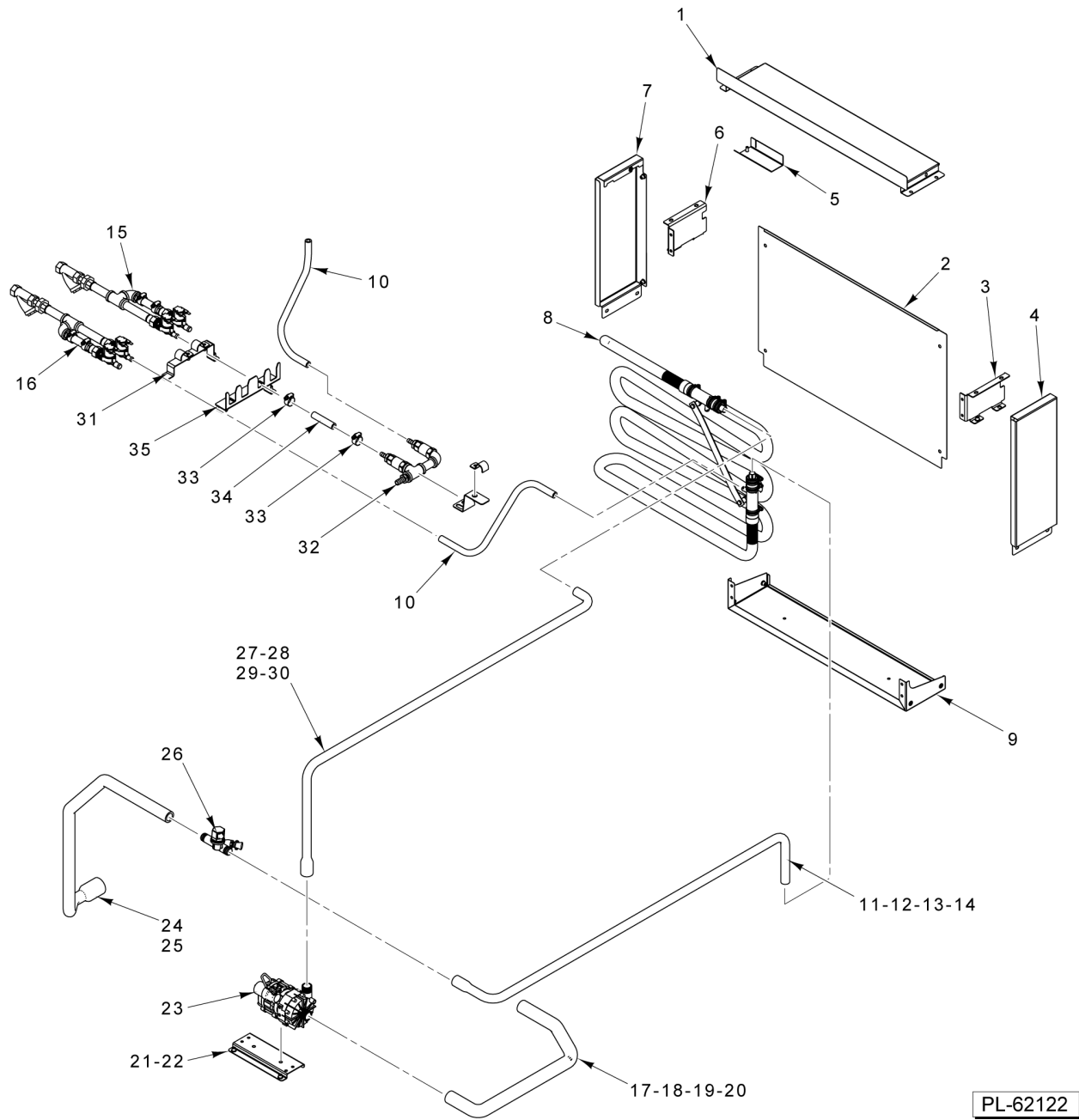


PL-62098

ASR SYSTEM

ASR SYSTEM

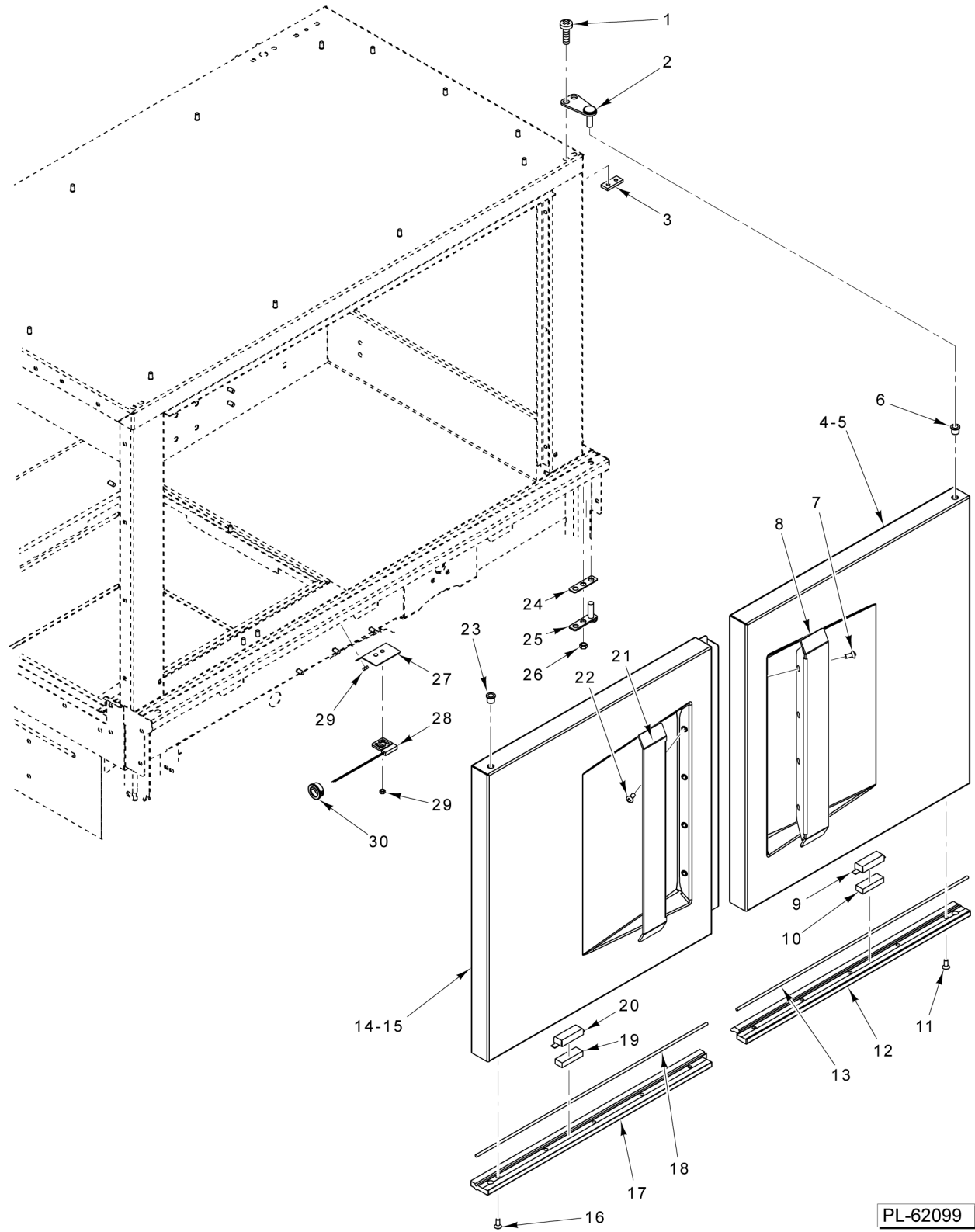
ILLUS.	PART NO.	NAME OF PART	AMT.
PL-62098			
1	00-974164	Hose (Pump to Basket).....	1
2	00-942096-00006	Pump (220-240 V., 60Hz).....	1
3	00-974501	Support - Box (L-R).....	1
4	00-974501-00002	Support - Box (R-L).....	1
5	00-974134-00001	Hose (Tank to Pump) (L-R) (CL44/54/64eN).....	1
6	00-974134-00002	Hose (Tank to Pump) (R-L) (CL44/54/64eN).....	1
7	00-974572	Hose - Inlet (R-L) (CL66/76/86eN).....	1
8	00-974572-00002	Hose - Inlet (L-R) (CL66/76/86eN).....	1
9	ML-102834	Outlet - Drain.....	1
10	00-974478	Washer - Support.....	1
11	00-974085	Seal.....	1
12	00-974079-00001	Seat - Basket Strainer (CL44/54eN).....	1
13	00-974093	Seat - Basket Strainer (CL66/76/86eN).....	1
14	00-974079-00003	Seat - Basket Strainer (CL64eN).....	1
15	SC-036-14	Cap Screw 1/4-20 x 1/2 Hex Hd.....	2
16	WS-003-43	Washer (SST).....	2
17	00-974498	Shield - Pump.....	1
18	NS-031-15	Stop Nut 10-24 Hex (SST).....	2
19	00-974044	Box - ASR.....	1
20	00-974076	Guard - Splash.....	1
21	00-974086	Basket - Soil.....	1
22	01-605259-00001	Wrap - ASR (L-R).....	1
23	01-605259-00002	Wrap - ASR (R-L).....	1
24	00-974434-00001	Cover - Bottom (R-L).....	1
25	00-974434-00002	Cover - Bottom (L-R).....	1
26	NS-047-86	Stop Nut 1/4-20 Hex (SST).....	6
27	00-974295-00002	Hose - Drain (R-L).....	1
28	00-974295	Hose - Drain (L-R).....	1
29	00-974069	Basket - Internal.....	1



DWER SYSTEM

DWER SYSTEM

ILLUS.	PART NO.	NAME OF PART	AMT.
PL-62122			
1	00-563906-00001	Panel - Trim.....	1
2	00-563912-00001	Panel - Trim.....	1
3	00-563908-00001	Bracket.....	1
4	00-563903-00001	Panel - Trim.....	1
5	01-605192	Bracket.....	1
6	00-563908-00002	Bracket.....	1
7	00-563903-00002	Panel - Trim.....	1
8	00-563820	Heat Exchanger Assy.....	1
9	00-563902	Panel - Trim.....	1
10	01-605144-00002	Hose (18 In.) Hose.....	2
11	00-563911-00001	Hose (44/54/66/76) (L-R).....	1
12	00-563911-00002	Hose (44/54/66/76) (R-L).....	1
13	00-563911-00003	Hose (64/86) (L-R).....	1
14	00-563911-00004	Hose (64/86) (R-L).....	1
15	00-563946-00002	Piping Assy.....	1
16	00-563946-00001	Piping Assy.....	1
17	00-974843	Hose (44/54/66/76) (L-R).....	1
18	00-974842	Hose (44/54/66/76) (R-L).....	1
19	00-974845	Hose (64/86) (L-R).....	1
20	00-974844	Hose (64/86) (R-L).....	1
21	00-563672	Mount - Pump Motor.....	1
22	00-563764	Mount - Pump Motor (64/86) (L-R).....	1
23	00-942096-00004	Pump - Drain (208 - 240V, 60Hz).....	1
24	00-950611-00001	Hose (L-R).....	1
25	00-950611-00002	Hose (R-L).....	1
26	00-913102-00279	Anti Siphon.....	1
27	00-563910-00001	Hose (44/54/66/76) (L-R).....	1
28	00-563910-00002	Hose (44/54/66/76) (R-L).....	1
29	00-563910-00003	Hose (64/86) (L-R).....	1
30	00-563910-00004	Hose (64/86) (R-L).....	1
31	00-563993-00002	Bracket.....	1
32	00-563950	Piping Assy.....	1
33	00-544424	Clamp - Hose #8.....	2
34	01-605144-00001	Hose.....	1
35	00-563948-00002	Bracket.....	1

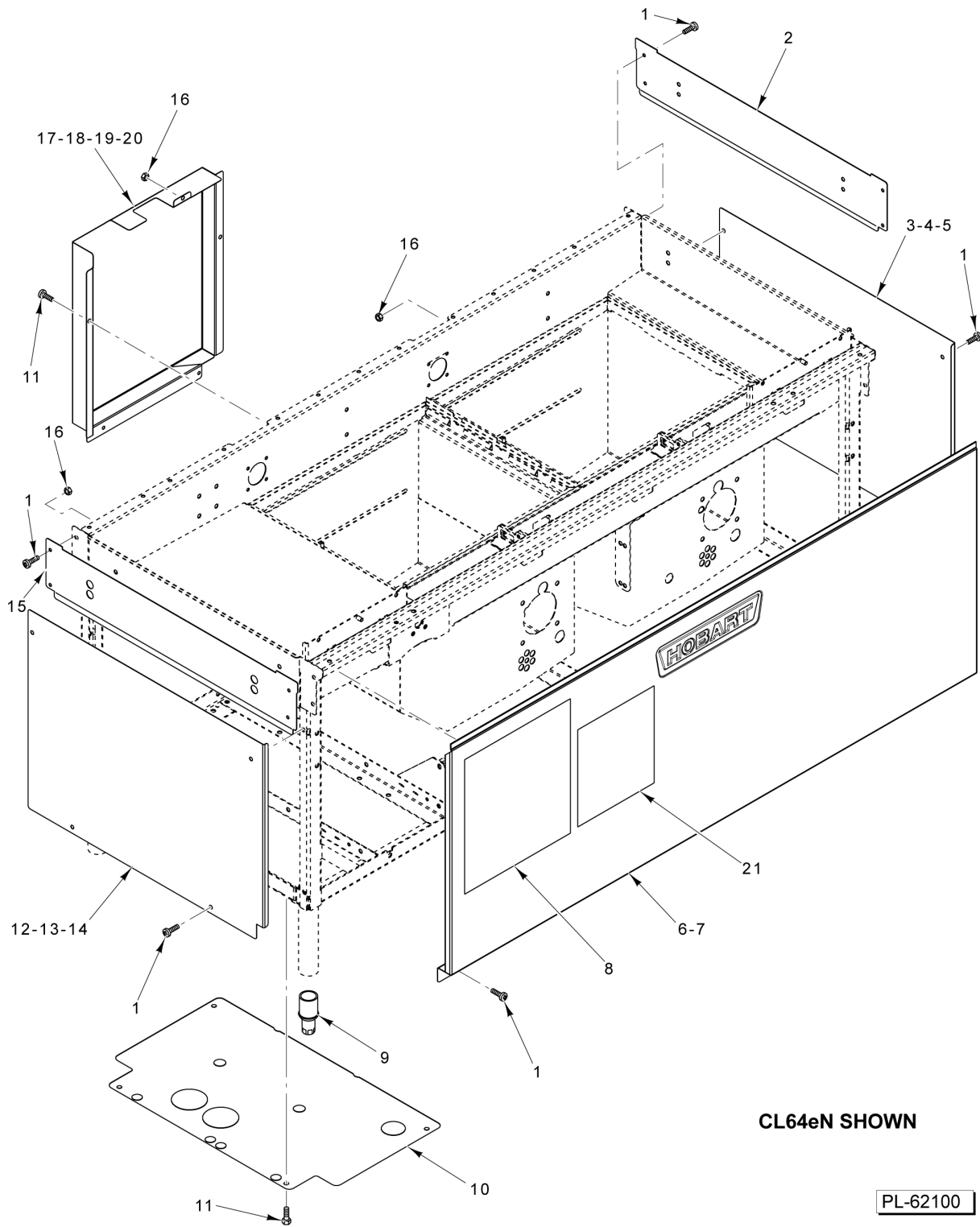


PL-62099

DOORS

DOORS

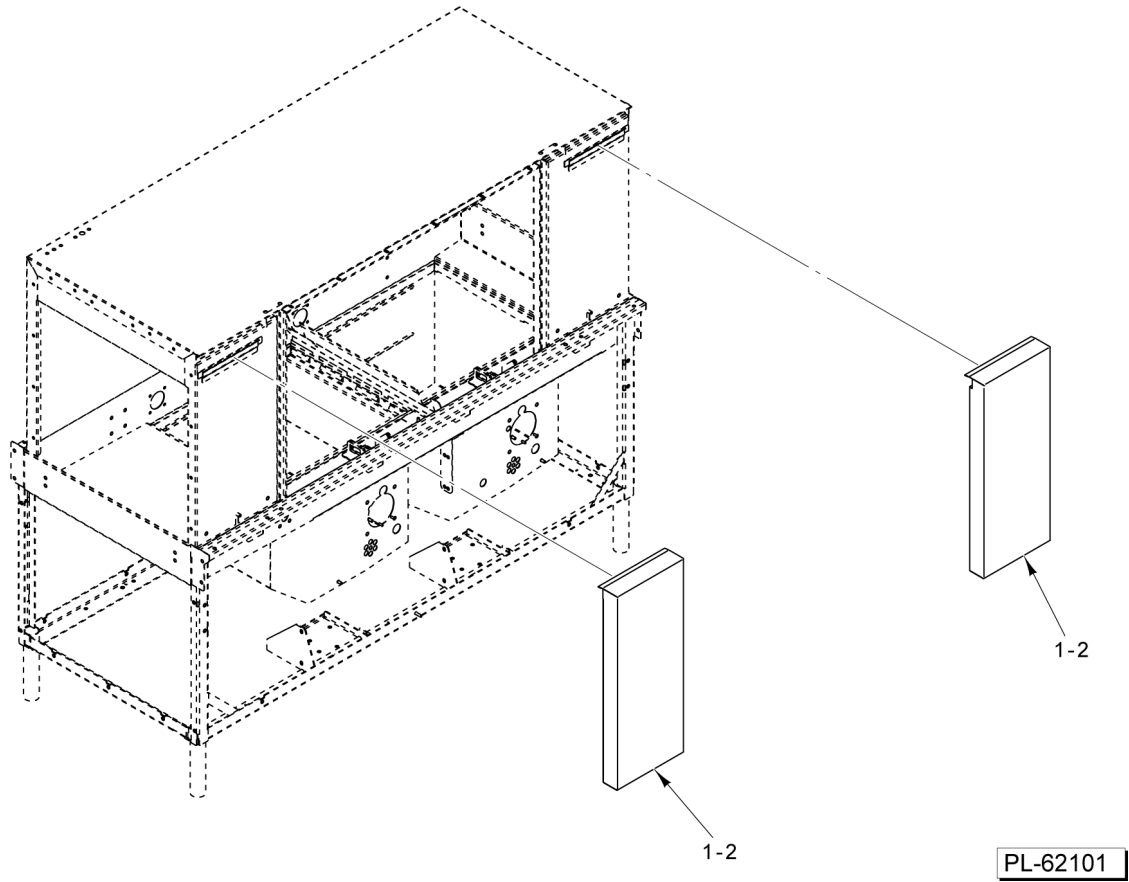
ILLUS.	PART NO.	NAME OF PART	AMT.
PL-62099			
1	00-974897-00002	Cap Screw 5/16-18 x 5/8 Hex Hd. (SST).....	4
2	00-946760-00002	Hinge - Door (Top).....	2
3	00-974793	Plate - Nut.....	2
4	00-974396-00001	Door Weldment, Right, 44/54, STD.....	1
5	00-974396-00002	Door Weldment, Right, 44/64/ HTS.....	1
6	00-974909	Bearing.....	2
7	SC-125-94	Mach. Screw 1/4-20 x 1 Phil. Truss Hd. (SST).....	4
8	00-815725	Handle - Door.....	1
9	00-814895	Retainer - Magnet.....	1
10	00-290160	Magnet.....	1
11	SC-125-85	Mach. Screw 1/4-20 x 5/8 Phil. Truss Hd. (SST).....	5
12	00-919949	Seal - Door Bottom (RH).....	1
13	00-557950	Gasket.....	1
14	00-974400-00001	Door Weldment, Left, 44/64, STD.....	1
15	00-974400-00002	Door Weldment, Left, 44/64, HTS.....	1
16	SC-125-85	Mach. Screw 1/4-20 x 5/8 Phil. Truss Hd. (SST).....	5
17	00-919958	Seal - Door Bottom (LH).....	1
18	00-557950	Gasket.....	1
19	00-290160	Magnet.....	1
20	00-814895	Retainer - Magnet.....	1
21	00-815725	Handle - Door.....	1
22	SC-125-94	Mach. Screw 1/4-20 x 1 Phil. Truss Hd. (SST).....	4
23	00-974909	Bearing.....	2
24	00-936266	Gasket - Hinge.....	2
25	00-935868	Pin - Hinge.....	2
26	NS-047-82	Stop Nut 1/4-20 Hex (SST).....	4
27	00-814633-00002	Mount - Reed Switch Weldment.....	2
28	00-814624	Switch - Interlock.....	2
29	NS-031-15	Stop Nut 10-24 Hex (SST).....	8
30	FE-022-40	Bushing - Electrical Snap.....	1



LOWER PANELS

LOWER PANELS

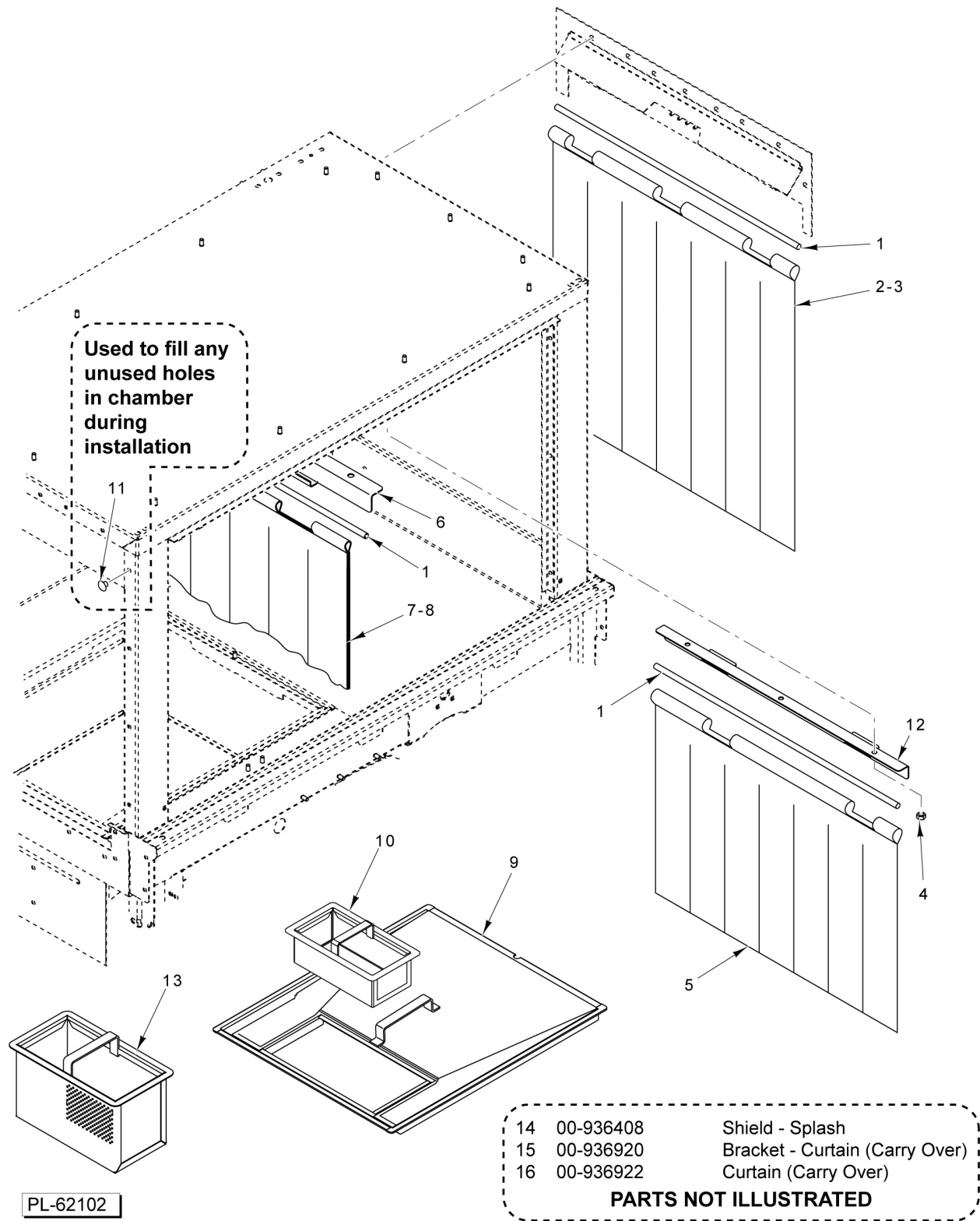
ILLUS.	PART NO.	NAME OF PART	AMT.
1	SC-125-15	Mach. Screw 1/4-20 x 1/2 Phil. Truss Hd.....	AR
2	00-936574-00002	Trim - Tank End (RH).....	1
3	00-919867	Panel - Trim End (Right) (CL44/64/66/86eN L-R & R-L; DDU R-L; CL54/76eN R-L)	1
4	00-919867-00002	Trim - Panel Right End (CL54/76eN L-R).....	1
5	00-919867-00003	Trim - Panel Right End (DDU L-R).....	1
6	00-974407	Trim - Front Panel (CL44/54eN).....	1
7	00-974408	Trim - Front Panel (CL64/eN).....	1
8	0F-047613	Label - Cleaning Instructions (Tri-lingual).....	1
9	00-288946-00002	Foot - Adjustable.....	4
10	00-919877	Panel - Bottom Trim.....	1
11	SC-041-05	Cap Screw 1/4-20 x 5/8 Hex Hd. (SST).....	AR
12	00-919875	Trim - Panel Left End (CL44/64/66/86eN L-R & R-L; DDU R-L; CL54/76eN R-L).....	1
13	00-919875-00002	Trim - Panel Left End (CL54/76eN L-R).....	1
14	00-919875-00003	Trim - Panel Left End (DDU L-R).....	1
15	00-936574-00001	Trim - Tank End (LH).....	1
16	NS-031-19	Stop Nut 1/4-20 Hex (SST).....	AR
17	00-936131	Trim - Rear Panel (L-R) (CL44/54eN).....	1
18	00-919876	Trim - Rear Panel (R-L) (CL44/54eN).....	1
19	00-936443	Trim - Rear Panel (L-R) (CL64eN).....	1
20	00-919246	Trim - Rear Panel (R-L) (CL64eN).....	1
21	0F-047614	Label - De-Lime Instructions (Tri-Lingual).....	1



UPPER PANELS (CL64EN)

UPPER PANELS (CL64EN)

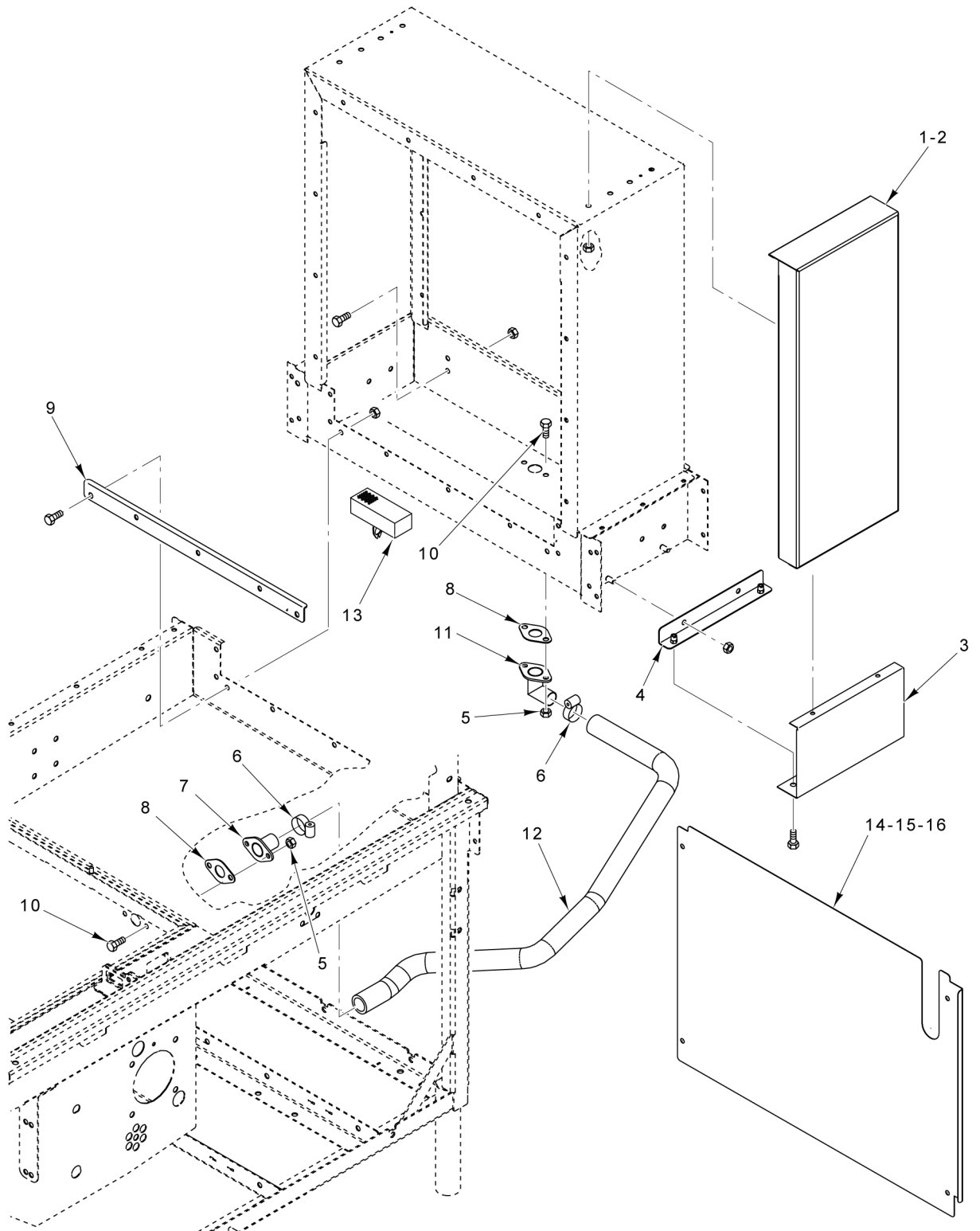
ILLUS.	PART NO.	NAME OF PART	AMT.
PL-62101			
1	00-935963-00001	Panel - Chamber Trim (STD).....	2
2	00-935963-00002	Panel - Chamber Trim (HTS).....	2



CURTAINS AND STRAINERS

CURTAINS AND STRAINERS

ILLUS.	PART NO.	NAME OF PART	AMT.
PL-62102			
1	00-919507	Rod - Curtain.....	4
2	00-919758	Curtain - Splash (4 Ply) (STD).....	2
3	00-919975	Curtain - Splash (4 Ply) (HTS).....	2
4	NS-036-19	Stop Nut 5/16-18 Hex Special (SST).....	5
5	00-919509	Curtain - Splash (Short).....	1
6	00-936427	Bracket - Wash Curtain (CL64/86eN).....	1
7	00-936428	Curtain - Wash (3-Ply) (STD) (CL64/86eN).....	1
8	00-936429	Curtain - Wash (3-Ply) (HTS) (CL64/86eN).....	1
9	00-936025-00002	Strainer - One-Piece.....	1
10	00-936161-00002	Strainer - Bucket (Current Construction).....	1
11	00-289082	Kit - Plug (Incls. 30 Plugs & RTV).....	AR
12	00-919809	Bracket - Curtain (Short).....	1
13	00-936161	Strainer - Bucket (Previous Construction).....	1
14	00-936408	Shield - Splash.....	1
15	00-936920	Bracket - Curtain (Carry Over).....	1
16	00-936922	Curtain (Carry Over).....	1

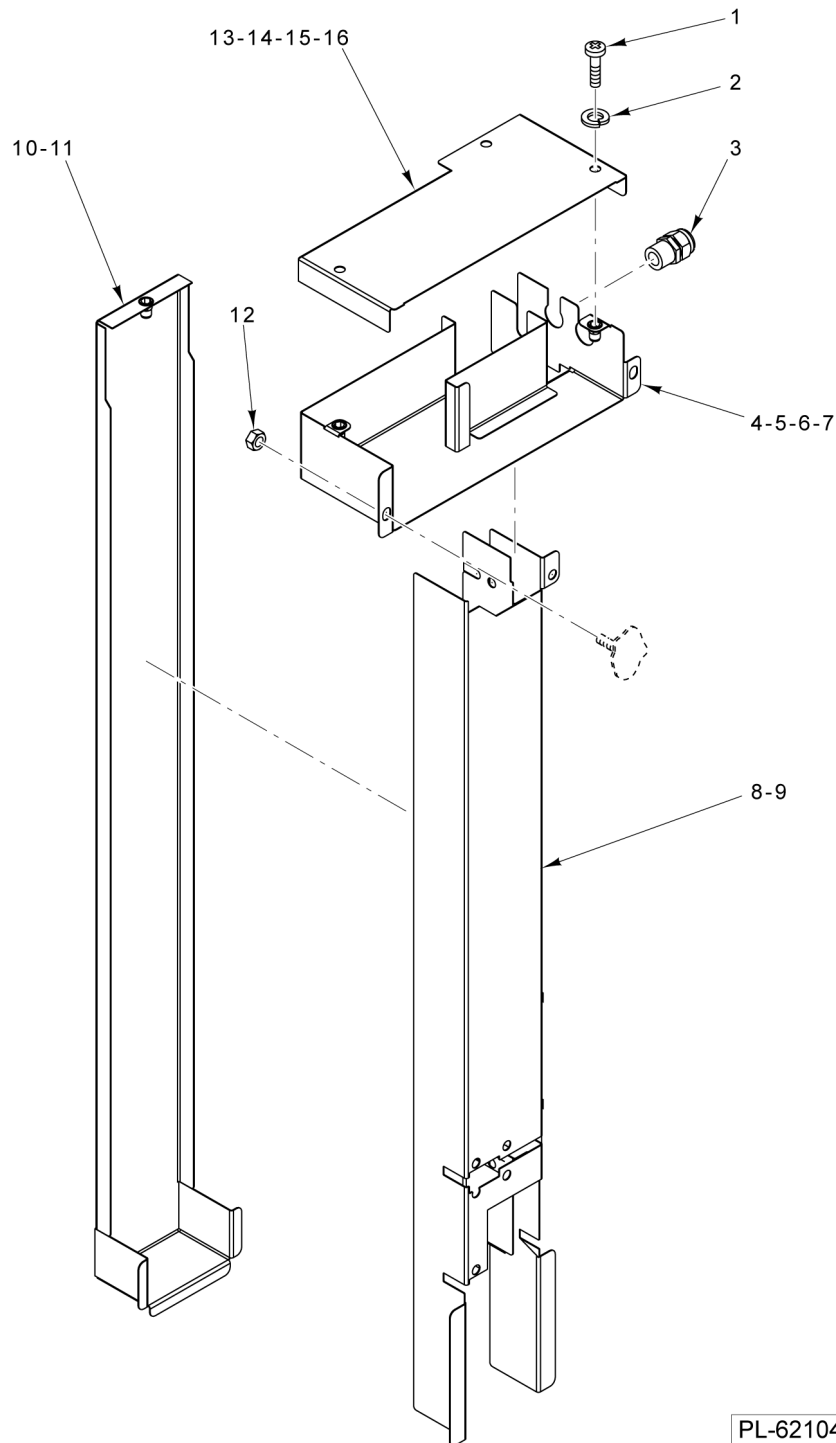


PL-62103

FLOWBACK AND PANELS (CL54)

FLOWBACK AND PANELS (CL54)

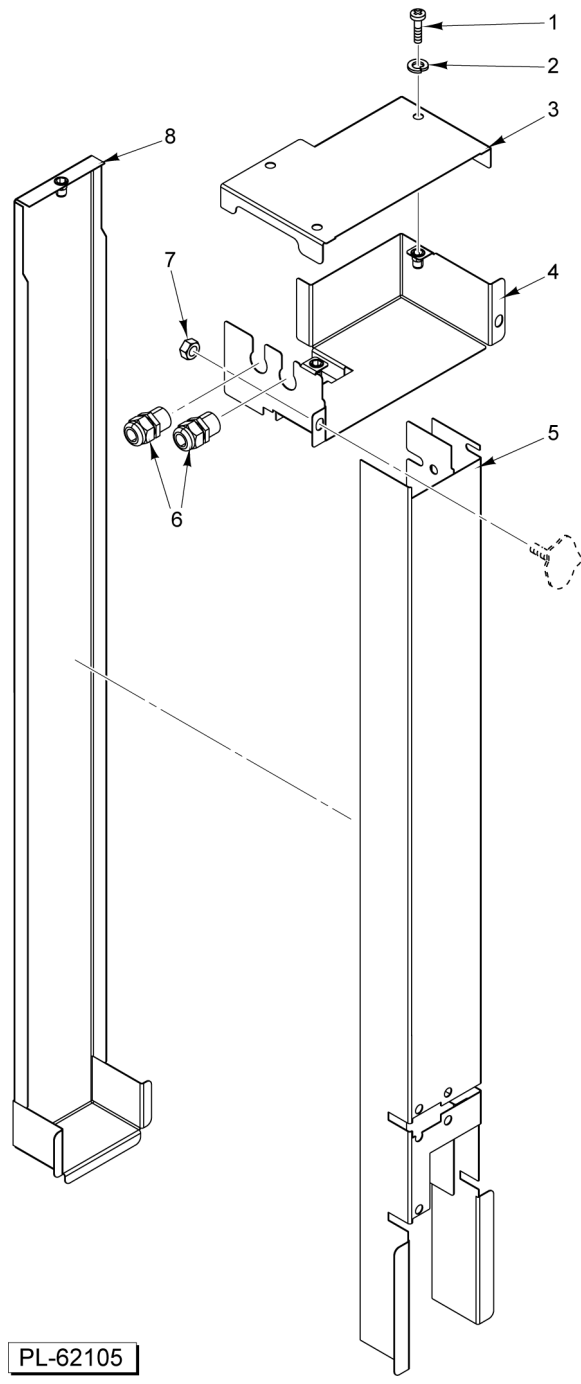
ILLUS. PL-62103	PART NO.	NAME OF PART	AMT.
1	00-814913-00001	Panel - Chamber Trim (STD).....	1
2	00-814913-00002	Panel - Chamber Trim (HTS).....	1
3	00-936075	Panel - Bottom Trim (10 In.).....	1
4	00-936093	Trim Assy. - Panel Mount (10 In.).....	1
5	NS-036-19	Stop Nut 5/16-18 Hex Special (SST).....	4
6	00-558195	Clamp - Hose.....	2
7	00-936312	Bulkhead - Drain 1 In. Hose.....	1
8	00-276407	Gasket - Rinse Pipe.....	2
9	00-935968	Support - Tank.....	1
10	SC-041-10	Cap Screw 5/16-18 x 5/8 Hex Hd. (SST).....	4
11	00-936310	Fitting - Drain 90 Deg.....	1
12	00-936468-00001	Hose (1 In. I.D. x 26 In. Lg.).....	1
13	00-936415	Strainer - Drain Basket.....	1
14	00-974567	Trim - Panel Right End (L-R) (DWER & ADV).....	1
15	00-974566	Trim - Panel Left End (R-L) (DWER & ADV).....	1
16	00-919867-00002	Trim Panel (Base Machine).....	1



WIREWAY (VENTED)

WIREWAY (VENTED)

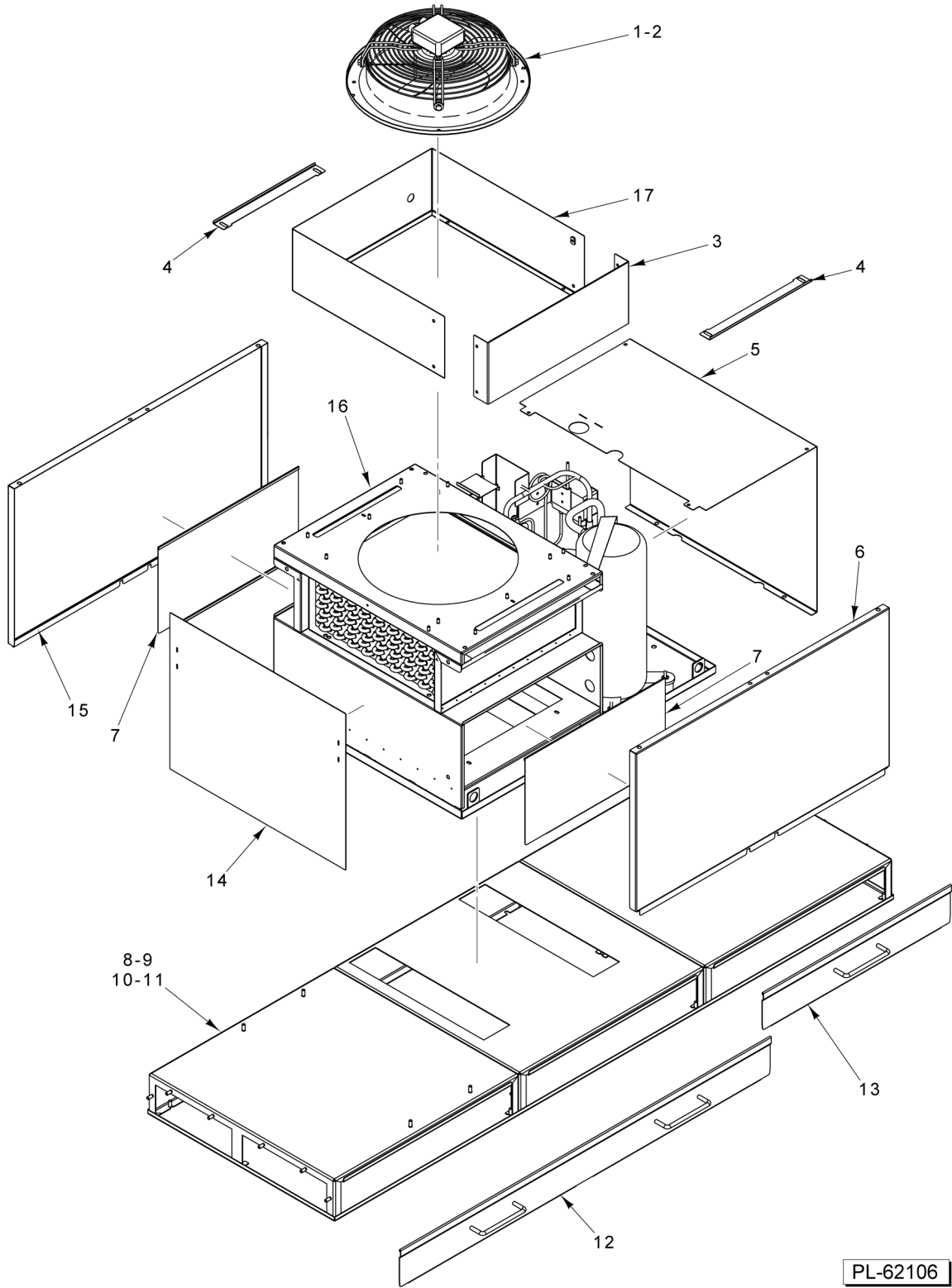
ILLUS.	PART NO.	NAME OF PART	AMT.
PL-62104			
1	SC-041-50	Cap Screw 1/4-20 x 1/2 Hex Hd. (SST).....	AR
2	WL-006-17	Lockwasher 1/4 Helical (SST).....	AR
3	FE-022-84	Connector - Strain Relief.....	2
4	00-814747	Wireway (L-R) (CL44/54eN).....	1
5	00-814743	Wireway (R-L) (CL44/54eN).....	1
6	00-814751	Wireway (R-L) (CL64eN).....	1
7	00-814756	Wireway (L-R) (CL64eN).....	1
8	00-814760	Wireway (Vertical) (STD).....	1
9	00-814760-00002	Wireway (Vertical) (HTS).....	1
10	00-814763-00001	Cover - Vertical Wireway (STD).....	1
11	00-814763-00003	Cover - Vertical Wireway (HTS).....	1
12	NS-031-19	Stop Nut 1/4-20 Hex (SST).....	AR
13	00-814750	Lid - Wireway (L-R) (CL44/54eN).....	1
14	00-814746	Lid - Wireway (R-L) (CL44/54eN).....	1
15	00-814755	Lid - Wireway (R-L) (CL64eN).....	1
16	00-814759	Lid - Wireway (L-R) (CL64eN).....	1



WIREWAY (CLENVL)

WIREWAY (CLENVL)

ILLUS.	PART NO.	NAME OF PART	AMT.
PL-62105			
1	SC-041-50	Cap Screw 1/4-20 x 1/2 Hex Hd. (SST).....	3
2	WL-006-17	Lockwasher 1/4 Helical (SST).....	3
3	00-562423	Lid - Wireway Box.....	1
4	00-562420	Wireway.....	1
5	00-562424	Wireway (Vertical).....	1
6	FE-022-84	Connector - Strain Relief.....	2
7	NS-031-19	Stop Nut 1/4-20 Hex (SST).....	1
8	00-562427-00001	Cover - Vertical Wireway.....	1

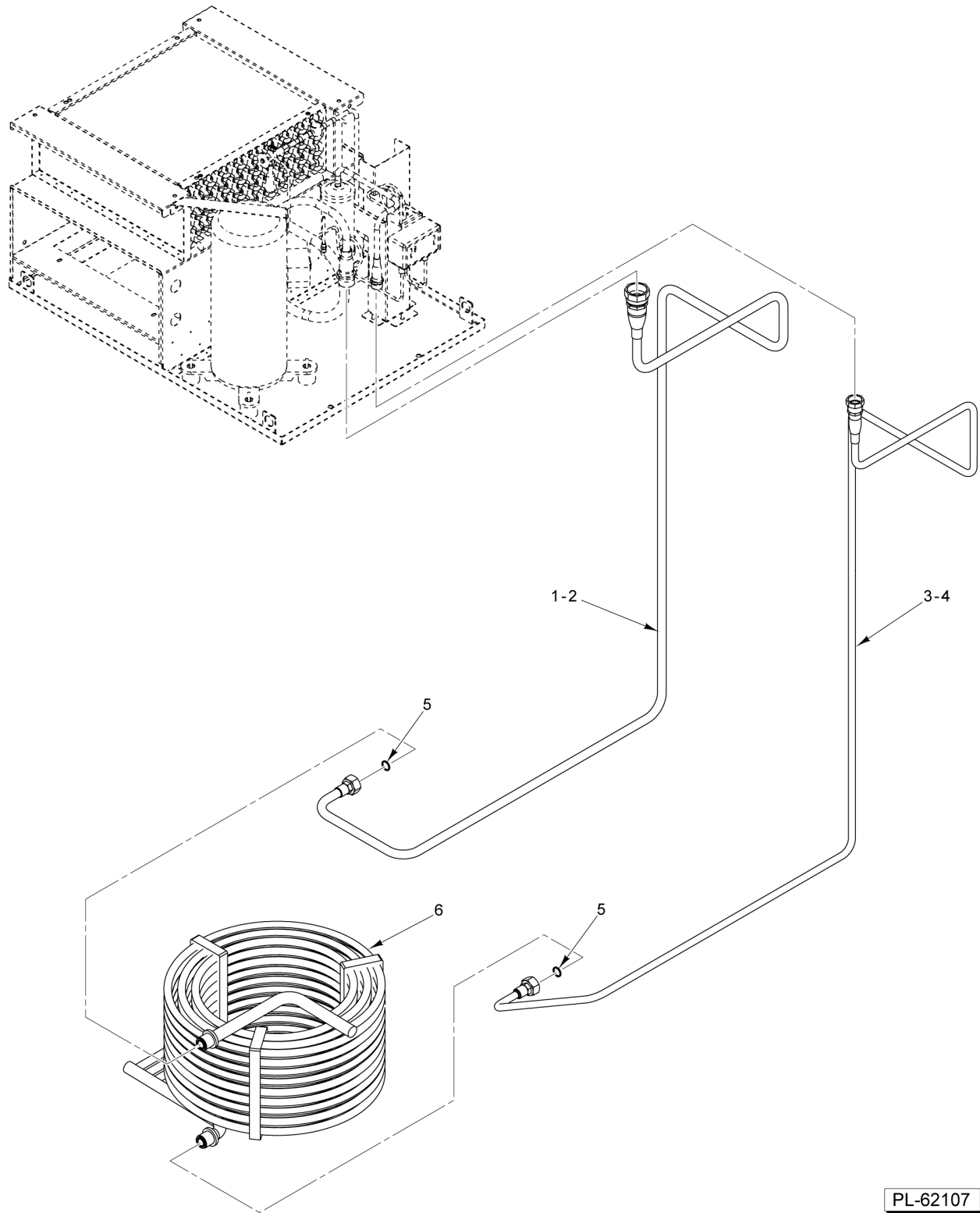


PL-62106

AIR CHANNEL ASSEMBLY (CLEVL)

AIR CHANNEL ASSEMBLY (CLENVL)

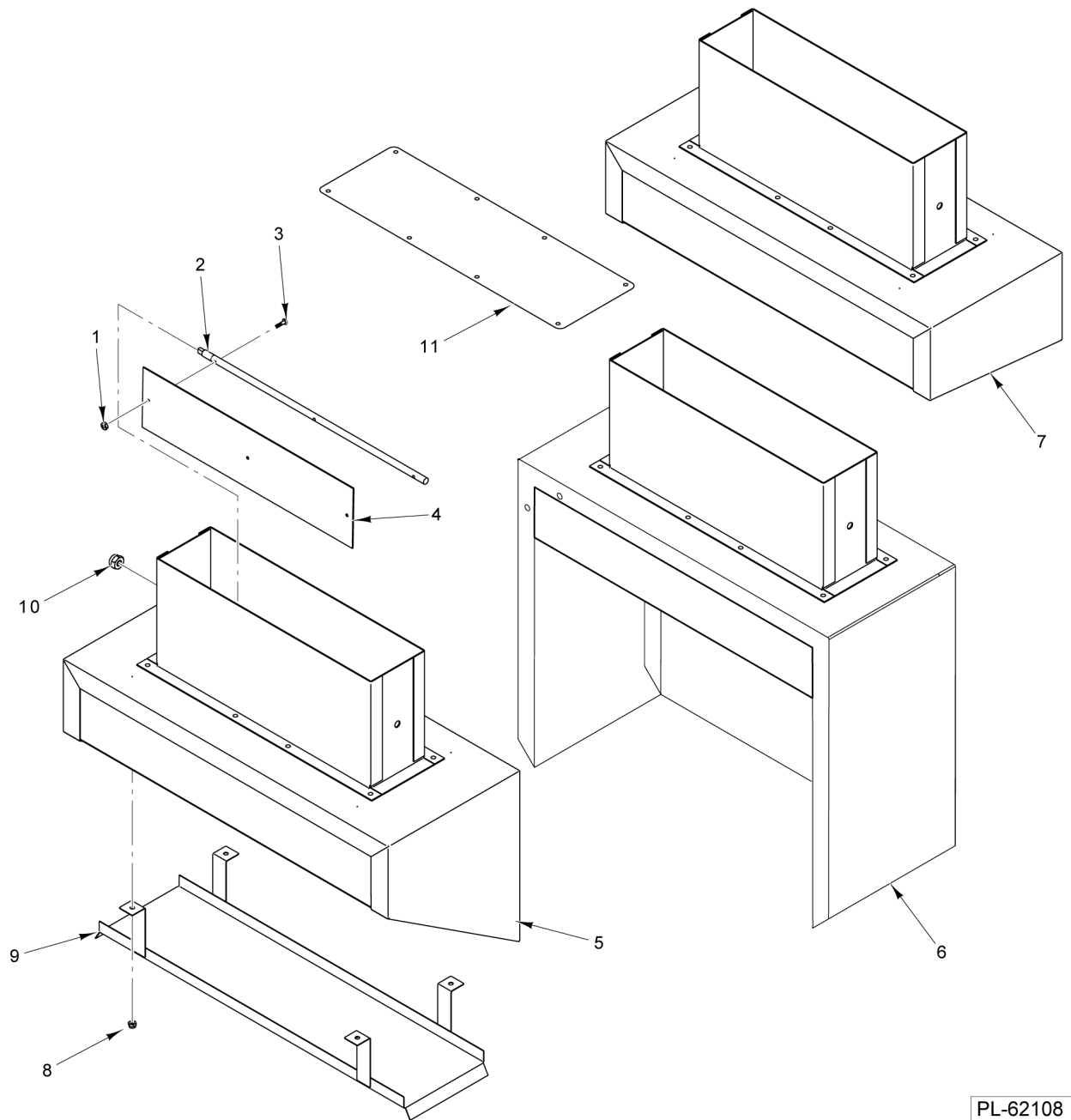
ILLUS.	PART NO.	NAME OF PART	AMT.
PL-62106			
1	00-950064-00001	Vent Fan Assy. (200-240 V., 50/60 Hz., 3 Ph.).....	1
2	00-950064-00003	Vent Fan Assy. (480 V., 60 Hz., 3 Ph.).....	1
3	00-950148	Stack - Vant Fan Cover.....	1
4	00-562655	Damper - Heat Pump.....	2
5	00-562657-00001	Panel - Top Cover.....	1
6	00-562654-00001	Panel - Front Cover.....	1
7	00-562826	Panel - Coil Cover.....	2
8	00-562788-00001	Air Channel Assy. (CL44eNVL) (R-L).....	1
9	00-562788-00002	Air Channel Assy. (CL66eNVL) (R-L).....	1
10	00-562788-00003	Air Channel Assy. (CL44eNVL) (L-R).....	1
11	00-562788-00004	Air Channel Assy. (CL66eNVL) (L-R).....	1
12	00-562797-00001	Cover - Air Channel (Front) (CL44eNVL & CL66eNVL).....	1
13	00-562797-00002	Cover - Air Channel (Front) (CL66eNVL).....	1
14	00-562671	Panel - Coil End Cover.....	1
15	00-562654-00002	Panel - Rear Cover.....	1
16	01-538846-00001	Heat Pump Assy.....	1
17	00-950147	Stack - Vent Fan Assy.....	1



CONDENSER COIL (ADVANSYS)

CONDENSER COIL (ADVANSYS)

ILLUS.	PART NO.	NAME OF PART	AMT.
1	00-562620	Tube (L-R) (Compressor to Condenser Coil).....	1
2	00-562621	Tube (R-L) (Compressor to Condenser Coil).....	1
3	00-562623	Tube (R-L) (Compressor to Condenser Coil).....	1
4	00-562624	Tube (L-R) (Compressor to Condenser Coil).....	1
5	00-950254	Washer.....	2
6	00-562619	Coil, Wash Tank.....	1

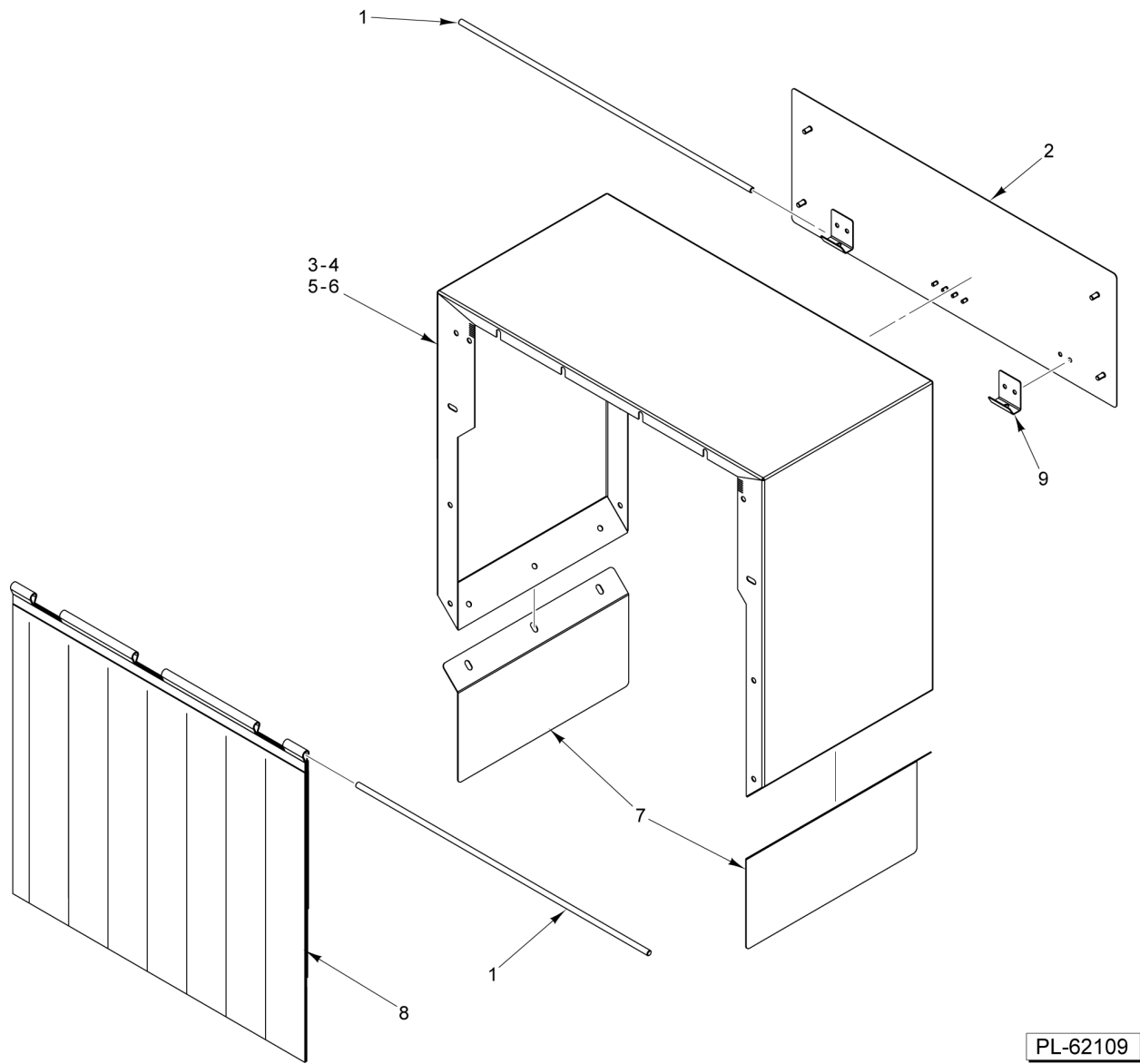


PL-62108

VENT HOOD (VENTED)

VENT HOOD (VENTED)

ILLUS.	PART NO.	NAME OF PART	AMT.
PL-62108			
1	NS-031-50	Stop Nut 6-32 Hex (SST).....	3
2	00-064919	Shaft - Damper.....	1
3	SC-119-24	Mach. Screw 6-32 x 3/4 Phil. Pan Hd.....	3
4	00-075623	Damper - Vent Stack.....	1
5	ML-138156-0000Z	Vent Hood Assy. (Standard) (Incls. Items 1 thru 4, 8, 9, & 10).....	1
6	ML-138158-0000Z	Vent Hood Assy. (Extended) (Incls. Items 1 thru 4, 8, 9, & 10).....	1
7	ML-138160-0000Z	Vent Hood Assy. (Short) (Incls. Items 1 thru 4, 8, 9, & 10).....	1
8	NS-031-15	Stop Nut 10-24 Hex (SST).....	4
9	00-435799	Drip Shield Assy.....	1
10	NS-036-12	Stop Nut 3/8-24 Hex Special (SST).....	1
11	00-919347	Cover - Vent Stack.....	1



PL-62109

VENT HOOD (CLENVL)

VENT HOOD (CLENVL)

ILLUS.	PART NO.	NAME OF PART	AMT.
PL-62109			
1	00-919507	Rod - Curtain.....	2
2	00-562799	Endplate - Vent.....	1
3	00-962901-00001	Vent Hood Assy. (CL66eNVL Entrance).....	1
4	00-962901-00002	Vent Hood Assy. (CL44eNVL Entrance).....	1
5	00-962901-00003	Vent Hood Assy. (R-L Exit).....	1
6	00-962901-00004	Vent Hood Assy. (L-R Exit).....	1
7	00-562903	Plate - Extended Hood.....	1
8	00-919758	Curtain - Splash (4 Ply) (STD).....	1
9	00-936261	Hook - Curtain.....	2

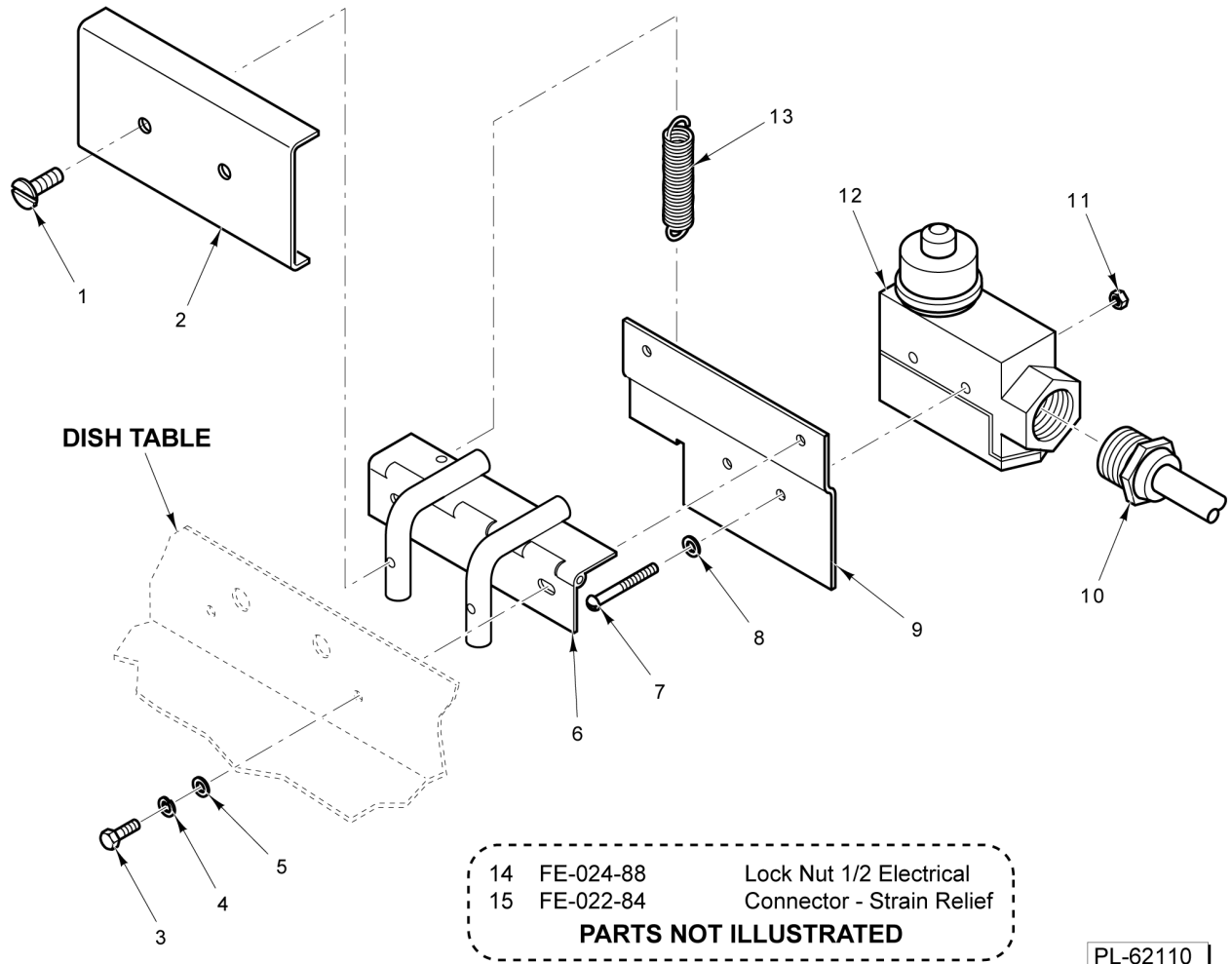
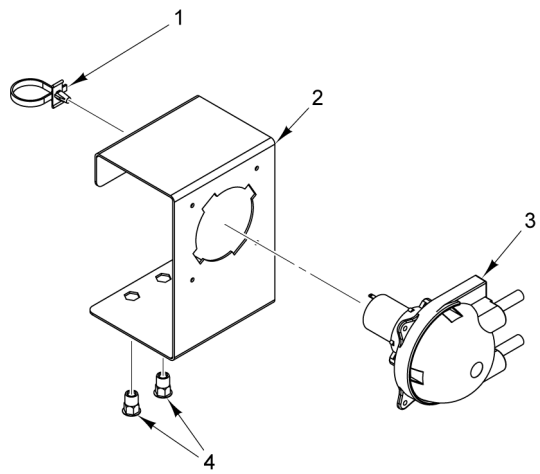


TABLE LIMIT SWITCH (ML-138163)

TABLE LIMIT SWITCH (ML-138163)

ILLUS.	PART NO.	NAME OF PART	AMT.
PL-62110			
1	SC-122-93	Mach. Screw 10-24 x 1/2 Phil. Truss Hd. (SST).....	2
2	00-814110	Plate - Actuator.....	1
3	SC-067-06	Mach. Screw 10-24 x 1/2 Hex Hd. (SST).....	2
4	WL-006-06	Lockwasher #10 Helical (SST).....	2
5	WS-023-03	Washer (SST).....	2
6	00-814109	Hinge Assy.....	1
7	SC-027-24	Mach. Screw 6-32 x 1-1/2 Slotted Rd. Hd. (Brass).....	2
8	WL-014-03	Lockwasher #6 External (SST).....	2
9	00-812936	Bracket - Interlock Switch.....	1
10	00-935951-00004	Cable - Table Limit Switch.....	1
11	NS-031-50	Stop Nut 6-32 Hex (SST).....	2
12	00-936279	Switch - Interlock.....	1
13	00-064165-00003	Spring - Connection.....	1
14	FE-024-88	Lock Nut 1/2 Electrical.....	1
15	FE-022-84	Connector - Strain Relief.....	2

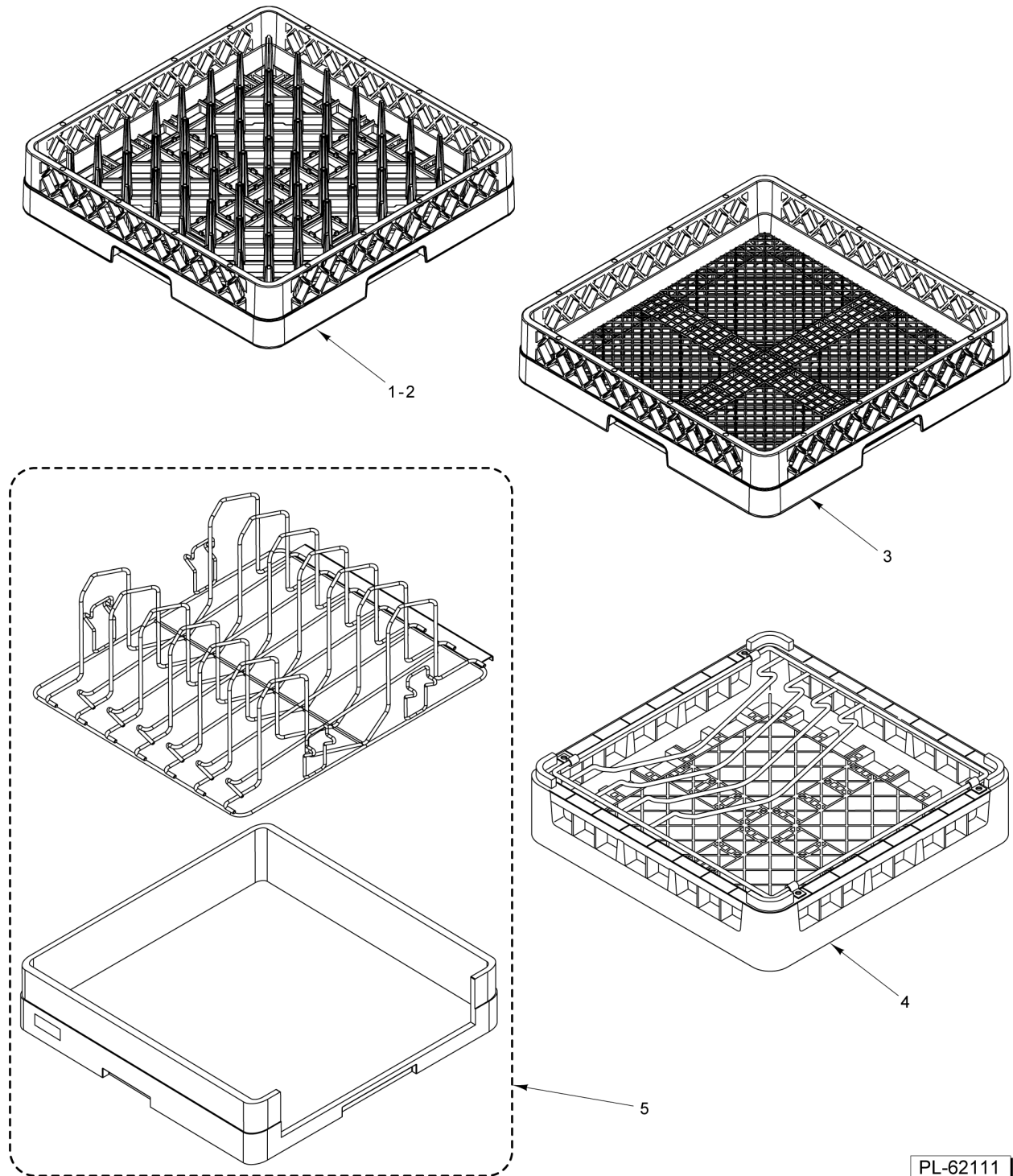


PL-62160

DELIME ASSEMBLY

DELIME ASSEMBLY

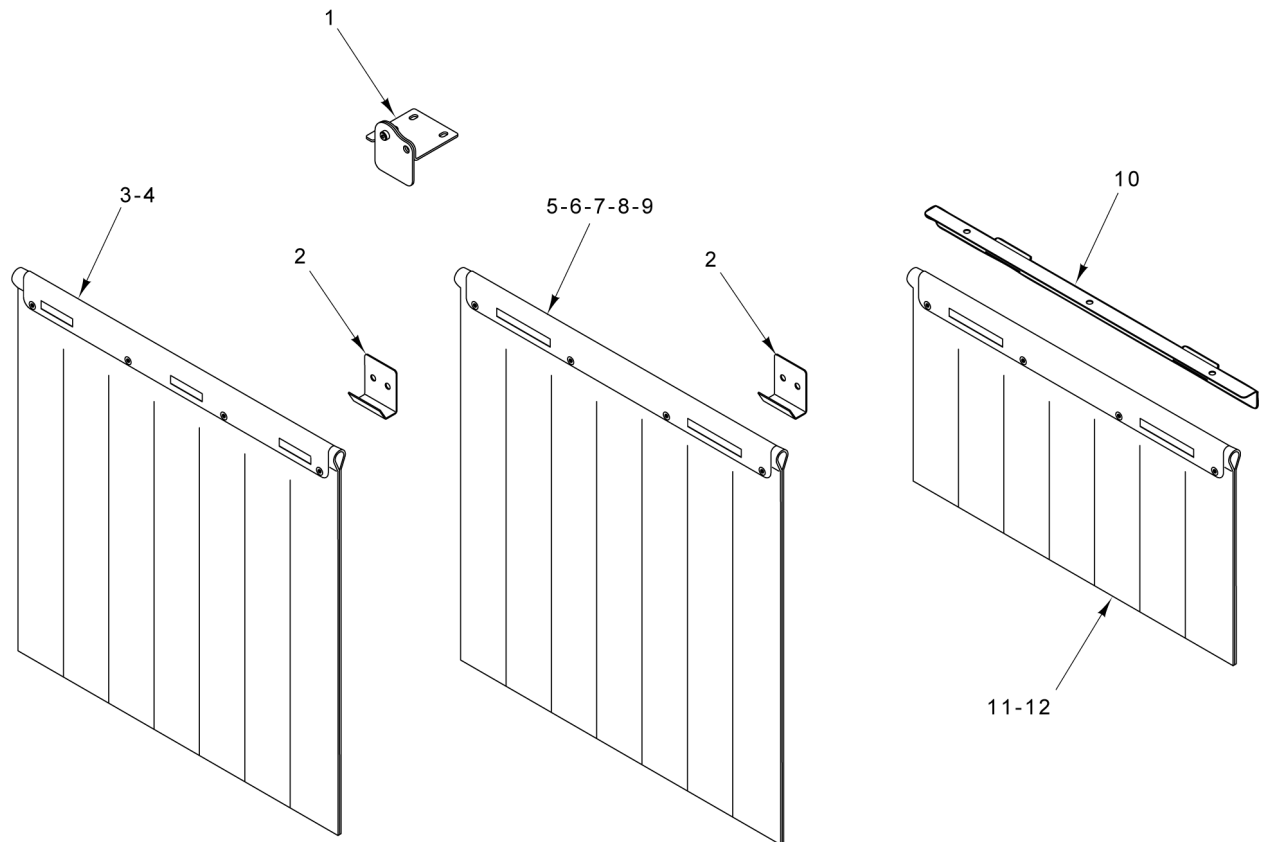
ILLUS.	PART NO.	NAME OF PART	AMT.
PL-62160			
1	00-444428	Tie - Cable Releasable.....	1
2	01-605180	Bracket - Delime.....	1
3	00-948850	Pump - Chemical.....	1
4	00-919364-00002	Rivnut 1/4-20.....	2



DISH RACKS

DISH RACKS

ILLUS.	PART NO.	NAME OF PART	AMT.
PL-62111			
1	00-315191	Rack - Peg (Packaged) (Shown).....	1
2	00-295288	Peg Type Tray Rack (Packaged) (Open End) (Not Shown).....	1
3	00-315193	Rack - Combination (Packaged).....	1
4	00-892671	Rack - Bun Pan (Packaged).....	1
5	00-936838-00009	Rack (6-Pan) (Packaged).....	1



- 13 00-271538-01-20 Torx Screw 1/4-20 x 3/4 (SST) (Used on Panels and Control Box)
- 14 00-271538-01-11 Torx Screw 1/4-20 x 1/2 (SST) (Used on Door Clasps)

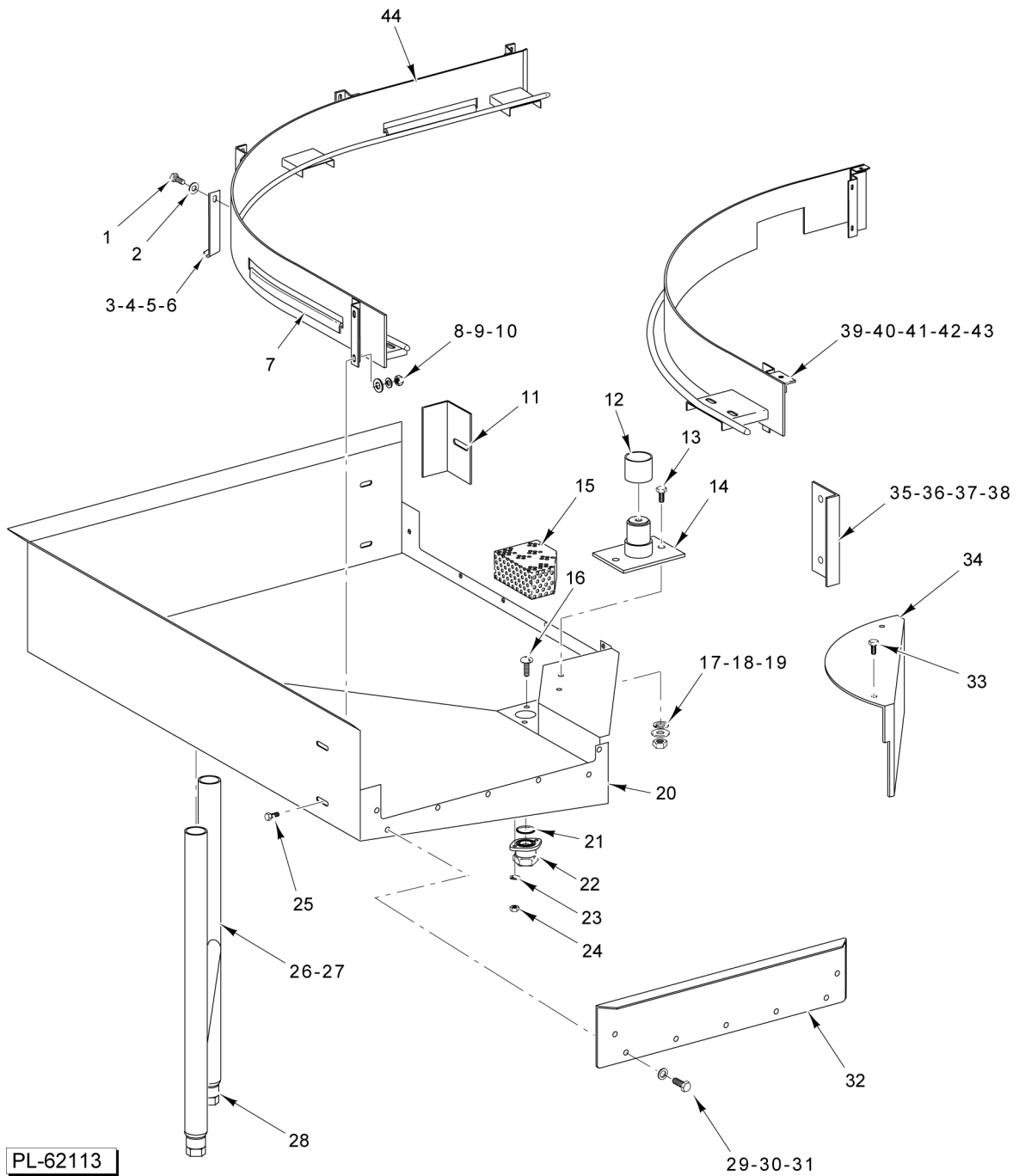
PARTS NOT ILLUSTRATED

PL-62112

COMMON CORRECTIVAL PACKAGE PARTS

COMMON CORRECTIONAL PACKAGE PARTS

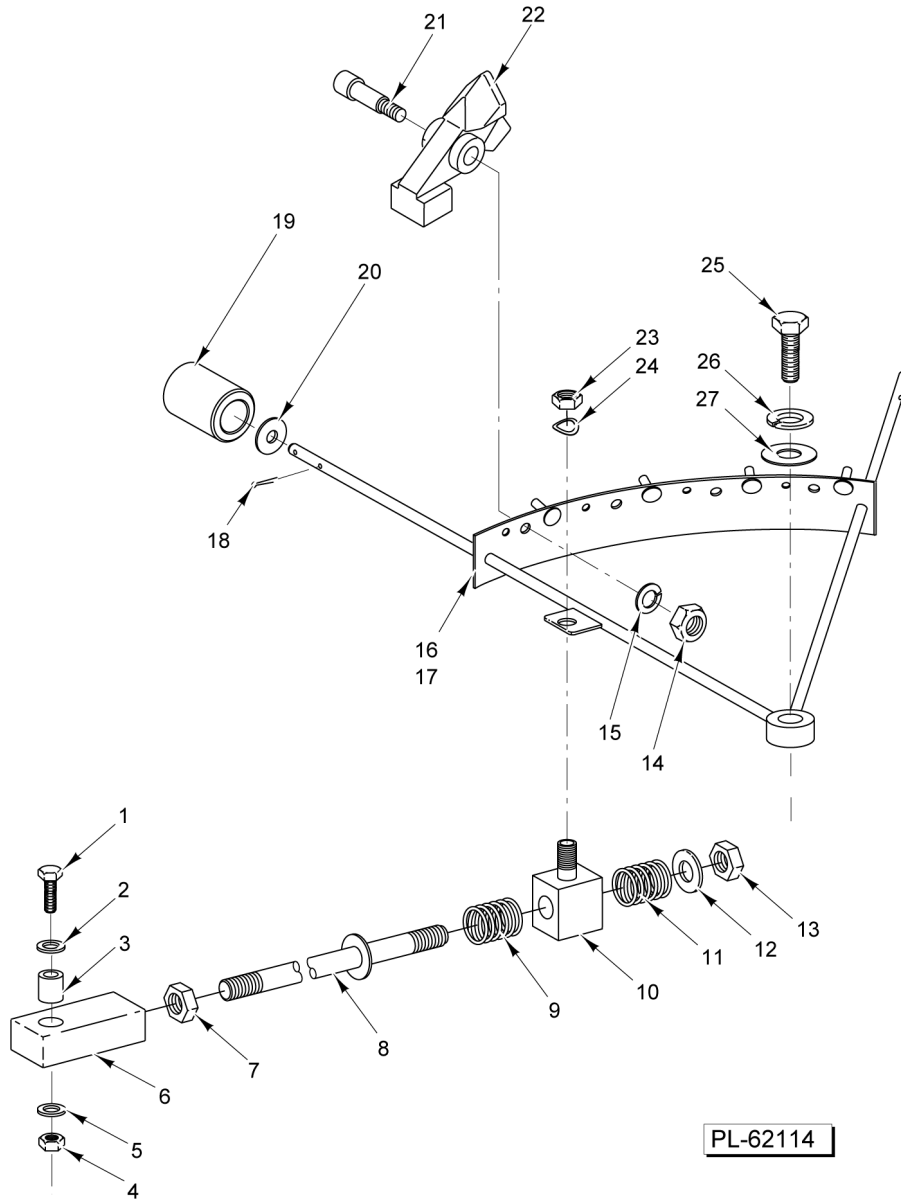
ILLUS.	PART NO.	NAME OF PART	AMT.
PL-62112			
1	00-814381	Door Latch Assy. (Locking Pivot) (Prison Package).....	AR
2	00-936261	Hook - Curtain.....	AR
3	00-814349-00001	Curtain & Hanger Assy. (Long) (STD).....	AR
4	00-814349-00002	Curtain & Hanger Assy. (Long) (HTS).....	AR
5	00-814349-00004	Curtain & Hanger Assy. (Corner Unit).....	AR
6	00-814349-00005	Curtain & Hanger Assy. (Middle) (Long) (STD).....	AR
7	00-814349-00006	Curtain & Hanger Assy. (Middle) (Long) (HTS).....	AR
8	00-814349-00008	Curtain & Hanger Assy. (Splash Cowl) (Long) (STD).....	AR
9	00-814349-00009	Curtain & Hanger Assy. (Splash Cowl) (Long) (HTS).....	AR
10	00-919809	Bracket - Curtain (Short).....	AR
11	00-814349-00003	Curtain & Hanger Assy. (Short).....	AR
12	00-814349-00007	Curtain & Hanger Assy. (Carry Over) (Short).....	AR
13	00-271538-01-20	Torx Screw 1/4-20 x 3/4 (SST) (Used with Panels and Control Box).....	AR
14	00-271538-01-11	Torx Screw 1/4-20 x 1/2 (SST) (Used with Door Clasps).....	AR



**TABLE UNIT
(R-L OPERATION SHOWN)**

**TABLE UNIT
(R-L OPERATION SHOWN)**

ILLUS. PL-62113	PART NO.	NAME OF PART	AMT.
1	SC-041-05	Cap Screw 1/4-20 x 5/8 Hex Hd. (SST).....	2
2	WS-017-06	Washer (SST).....	2
3	00-474959-00001	Bracket - Support (Outer Guide) (RH).....	1
4	00-474959-00002	Bracket - Support (Outer Guide) (LH).....	1
5	WL-006-17	Lockwasher 1/4 Helical (SST).....	2
6	NS-015-01	Nut 1/4-20 Hex (SST).....	2
7	00-474960-00001	Slide - Carriage.....	4
8	WS-017-06	Washer (SST).....	4
9	WL-006-17	Lockwasher 1/4 Helical (SST).....	4
10	NS-015-01	Nut 1/4-20 Hex (SST).....	4
11	00-936696	Guard - Splash Chamber/Table.....	2
12	00-936705	Bearing - DDU Pivot.....	1
13	SC-041-05	Cap Screw 1/4-20 x 5/8 Hex Hd. (SST).....	2
14	00-936652	Axle - Carriage Weldment.....	1
15	00-474993	Strainer - Weldment.....	1
16	SC-127-94	Mach. Screw 5/16-18 x 7/8 Truss Hd. (SST).....	2
17	WS-017-06	Washer (SST).....	2
18	WL-006-17	Lockwasher 1/4 Helical (SST).....	2
19	NS-015-01	Nut 1/4-20 Hex (SST).....	2
20	00-936704	Table Weldment.....	1
21	00-067500-00020	O-Ring.....	1
22	00-107954	Drain Flange Assy.....	1
23	WL-006-22	Lockwasher 5/16 Light (SST).....	2
24	NS-015-11	Nut 5/16-18 Hex (SST).....	2
25	SC-041-05	Cap Screw 1/4-20 x 5/8 Hex Hd. (SST).....	4
26	00-474957-00001	H-Frame Leg Assy. (26").....	1
27	00-474957-00002	H-Frame Leg Assy. (24").....	1
28	00-288946-00002	Foot - Adjustable (1-5/8) (SST).....	1
29	SC-041-05	Cap Screw 1/4-20 x 5/8 Hex Hd. (SST).....	7
30	WL-006-17	Lockwasher 1/4 Helical (SST).....	7
31	NS-015-01	Nut 1/4-20 Hex (SST).....	7
32	00-936708	End - Table (Discharge).....	1
33	SC-041-05	Cap Screw 1/4-20 x 5/8 Hex Hd. (SST).....	4
34	00-474980	Cover - Table Corner.....	1
35	00-474992	Guard - Splash Table.....	1
36	SC-041-05	Cap Screw 1/4-20 x 5/8 Hex Hd. (SST).....	2
37	WL-006-17	Lockwasher 1/4 Helical (SST).....	2
38	NS-015-01	Nut 1/4-20 Hex (SST).....	2
39	00-474972	Guide - Track (Inner).....	1
40	SC-041-05	Cap Screw 1/4-20 x 5/8 Hex Hd. (SST).....	2
41	WS-017-06	Washer (SST).....	2
42	WL-006-17	Lockwasher 1/4 Helical (SST).....	2
43	NS-015-01	Nut 1/4-20 Hex (SST).....	2
44	00-474961	Guide - Track (Outer).....	1



**CARRIAGE AND LINKAGE
(DRIVE MECHANISM)**

CARRIAGE AND LINKAGE (DRIVE MECHANISM)

ILLUS. PL-62114	PART NO.	NAME OF PART	AMT.
1	SC-041-17	Cap Screw 5/16-18 x 1-1/2 Hex Hd. (SST).....	1
2	WS-029-05	Washer 0.328 x 0.750 x 0.062 (SST).....	1
3	00-474984	Spacer (Linkage Drive).....	1
4	NS-031-29	Stop Nut 5/16-18 Hex (SST).....	1
5	WS-029-05	Washer 0.328 x 0.750 x 0.062 (SST).....	1
6	00-474990	Drive Rod - Adjustable End.....	1
7	NS-015-13	Nut 3/8-16 Hex (SST).....	1
8	00-936752	Rod - Drive.....	1
9	00-936751	Spring - DDU.....	1
10	00-936748	Block - DDU Drive.....	1
11	00-936751	Spring - DDU.....	1
12	WS-018-24	Washer.....	1
13	NS-046-09	Stop Nut 3/8-16 Hex (SST).....	1
14	NS-015-11	Nut 5/16-18 Hex (SST).....	4
15	WL-006-22	Lockwasher 5/16 Light (SST).....	4
16	00-936655	Carriage - Weldment (R-L).....	1
17	00-936707	Carriage - Weldment (L-R).....	1
18	PC-005-11	Cotter Pin 3/32.....	4
19	00-936703	Roller - Carriage.....	2
20	WS-021-01	Washer (SST).....	4
21	SC-130-94	Shoulder Screw 38 x 1 Hex Socket Hd. (SST).....	4
22	00-936750	Dog - DDU.....	4
23	NS-046-09	Stop Nut 3/8-16 Hex (SST).....	1
24	SL-005-16	Spring - Loading.....	1
25	SC-041-05	Cap Screw 1/4-20 x 5/8 Hex Hd. (SST).....	1
26	WL-006-17	Lockwasher 1/4 Helical (SST).....	1
27	WS-017-24	Washer (SST).....	1

01-605022-00001	CABLE ASSY, CONVEYOR
01-605022-00002	CABLE ASSY, RINSE PUMP
01-605022-00003	CABLE ASSY, VENT FAN RELAY 1
01-605022-00004	CABLE ASSY, CU POWER
01-605022-00005	CABLE ASSY, PWR SUP AC
01-605022-00006	CABLE ASSY, PWR SUP DC
01-605022-00007	CABLE ASSY, DELIME
01-605022-00010	CABLE ASSY, CONV RUN
01-605022-00012	CABLE ASSY, RPS
01-605022-00013	CABLE ASSY, DPS
01-605023-00001	CABLE ASSY, FAN VL
01-605026-00001	CABLE ASSY, OVERTEMP
01-605026-00002	CABLE ASSY, LIMIT VL
01-605026-00003	CABLE ASSY, OVERTEMP STEAM
01-605026-00005	CABLE ASSY, JUMPER J19
01-605026-00006	CABLE ASSY, PR OVERTEMP
01-605026-00007	CABLE ASSY, CON MON 64/86
01-605026-00008	CABLE ASSY, CON MON 44
01-605026-00009	CABLE ASSY, PR STEAM
01-605026-00010	CABLE ASSY, CON MON GAS/STEAM w BSTR
01-605025-00001	CABLE ASSY, PSI/TEMP SENSE
01-605025-00002	CABLE ASSY, DWT/PR TEMP
01-605025-00003	CABLE ASSY, DWT TEMP
01-605025-00004	CABLE ASSY, PSI PR TANK
01-605025-00005	CABLE ASSY, PSI PW TANK
01-605027-00001	CABLE ASSY, DWT TEMP PROBE
01-605027-00002	CABLE ASSY, EXT CONV IN
01-605027-00003	CABLE ASSY, MODBUS PWR
01-605027-00004	CABLE ASSY, MODBUS CAN
01-605027-00005	CABLE ASSY, RACK/TL SW
01-605027-00006	CABLE ASSY, EXT CONV OUT
01-605027-00007	CABLE ASSY, GAS APS IN
01-605021-00001	CABLE ASSY, HEATERS TAS
01-605021-00002	CABLE ASSY, BFV
01-605021-00003	CABLE ASSY, TFV
01-605021-00004	CABLE ASSY, ASR/DWER PUMP
01-605021-00005	CABLE ASSY, DWER VALVE
01-605021-00007	CABLE ASSY, VENTLESS FAN
01-605021-00008	CABLE ASSY, 86 w DWER VALVE
01-605021-00009	CABLE ASSY, PWR RINSE TAS
01-605021-00010	CABLE ASSY, BLOWER DRYER
01-605021-00011	CABLE ASSY, DOOR
01-605021-00012	CABLE ASSY, DWER PUMP
01-605021-00013	CABLE ASSY, HEATERS TAS GAS
01-605021-00015	CABLE ASSY, PWR RINSE GAS

PL-62123

ELECTRICAL CABLES

ELECTRICAL CABLES

ILLUS.	PART NO.	NAME OF PART	AMT.
PL-62123			
1	01-605022-00001	Cable Assy.....	1
2	01-605022-00002	Cable Assy.....	1
3	01-605022-00003	Cable Assy.....	1
4	01-605022-00004	Cable Assy.....	1
5	01-605022-00005	Cable Assy.....	1
6	01-605022-00006	Cable Assy.....	1
7	01-605022-00007	Cable Assy.....	1
8	01-605022-00010	Cable Assy.....	1
9	01-605022-00012	Cable Assy.....	1
10	01-605022-00013	Cable Assy.....	1
11	01-605023-00001	Cable Assy.....	1
12	01-605026-00001	Cable Assy.....	1
13	01-605026-00002	Cable Assy.....	1
14	01-605026-00003	Cable Assy.....	1
15	01-605026-00005	Cable Assy.....	1
16	01-605026-00006	Cable Assy.....	1
17	01-605026-00007	Cable Assy.....	1
18	01-605026-00008	Cable Assy.....	1
19	01-605026-00009	Cable Assy.....	1
20	01-605026-00010	Cable Assy.....	1
21	01-605025-00001	Cable Assy.....	1
22	01-605025-00002	Cable Assy.....	1
23	01-605025-00003	Cable Assy.....	1
24	01-605025-00004	Cable Assy.....	1
25	01-605025-00005	Cable Assy.....	1
26	01-605027-00001	Cable Assy.....	1
27	01-605027-00002	Cable Assy.....	1
28	01-605027-00003	Cable Assy.....	1
29	01-605027-00004	Cable Assy.....	1
30	01-605027-00005	Cable Assy.....	1
31	01-605027-00006	Cable Assy.....	1
32	01-605027-00007	Cable Assy.....	1
33	01-605021-00001	Cable Assy.....	1
34	01-605021-00002	Cable Assy.....	1
35	01-605021-00003	Cable Assy.....	1
36	01-605021-00004	Cable Assy.....	1
37	01-605021-00005	Cable Assy.....	1
38	01-605021-00007	Cable Assy.....	1
39	01-605021-00008	Cable Assy.....	1
40	01-605021-00009	Cable Assy.....	1
41	01-605021-00010	Cable Assy.....	1
42	01-605021-00011	Cable Assy.....	1
43	01-605021-00012	Cable Assy.....	1
44	01-605021-00013	Cable Assy.....	1
45	01-605021-00015	Cable Assy.....	1

